



SYMMONS® Identity™
the smart choice™

Location:

S-6700-TRM, S6700TRMTC
Shower Valve Trim
Specification Submittal



Feature Highlights

- Identity Shower Valve Trim
- Requires Temptrol® Pressure Balancing Shower Valve
- Integral diverter control
- Metal lever handle
- Showerhead not included
- Tub spout not included
- Components shall be metal and nonmetallic construction, plated in standard Polished Chrome finish
- Available with TA-10 flow control spindle and T-12A cap assembly for Temptrol valve bodies installed with Test Cap (order p/n S6700TRMTC)

Model Numbers

- S-6700-TRM**
Shower Valve Trim with integral diverter control, Temptrol Pressure Balancing Shower Valve ordered separately
- S6700TRMTC**
Shower Valve Trim with integral diverter control, TA-10 flow control spindle and T-12A cap assembly, must order Temptrol valve with Test Cap

Compliance



- ASME A112.18.1/CSA B125.1



Warranty

Limited Lifetime - to the original end purchaser in consumer/residential installations.
5 Years - for industrial/commercial installations.
 Refer to www.symmons.com/warranty for complete warranty information.
 Go to www.symmons.com/register to register your Symmons product.

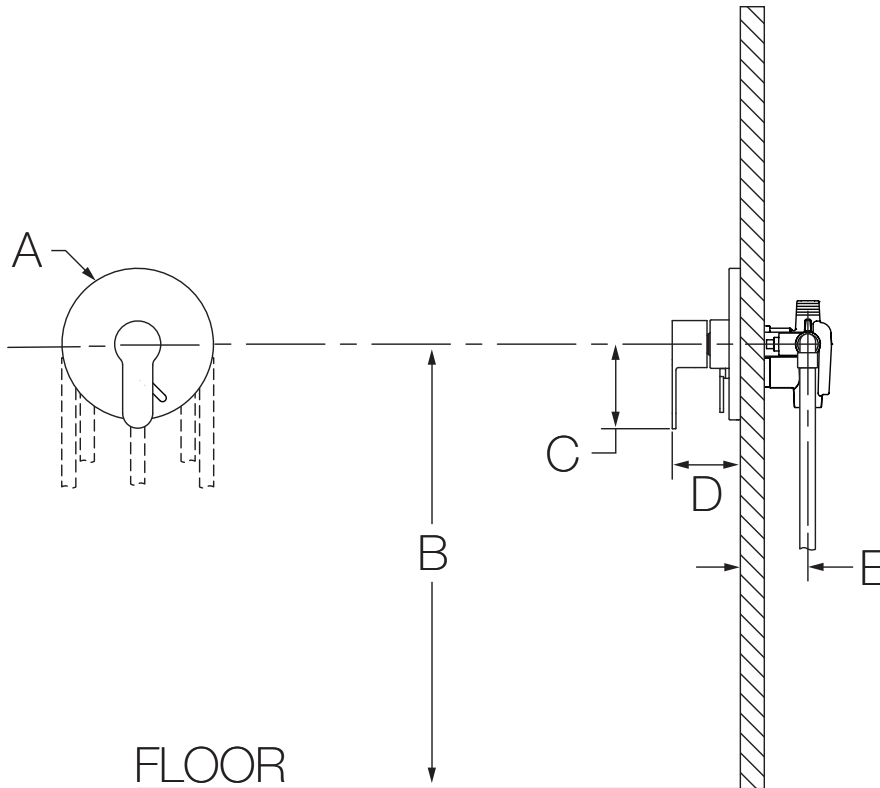
Options/Modifications

- LP**  *Loop handle*
- LR**  *Lever handle*
- REB** *Rebuild trim kit, includes TA-10 and TA-4*
- VP** *Vandal resistant escutcheon screws in place of standard screws*
- STN** *Satin Nickel finish*

Note: Append appropriate -suffix to model number.

Dimensions

Measurements	
A	Ø 6-3/8", 162 mm
B	Ref. 42", 1067 mm
C	3-1/2", 89 mm
D	2-7/8", 73 mm
E	Rough-in 2-3/8" ± 1/2", 60 mm ± 13 mm



Notes:

- 1) Valve body and piping not included and shown as reference only.
- 2) Plaster shield (p/n T-176) for dry wall, plaster or other type walls 1/2" or greater.
- 3) All dimensions measured from nominal rough-in (see E as reference).
- 4) Dimensions subject to change without notice.