

Location:



SYMMONS[®] Unity[®]

the smart choice[™]

S-6600-TRM, S6600TRMTC
Shower Valve Trim
Specification Submittal



Feature Highlights

- Unity Shower Valve Trim
- Requires Temptrol[®] Pressure Balancing Shower Valve
- Integral diverter control
- Metal lever handle
- Showerhead not included
- Tub spout not included
- Components shall be metal and nonmetallic construction, plated in standard Polished Chrome finish
- Available with TA-10 flow control spindle and T-12A cap assembly for Temptrol valve bodies installed with Test Cap (order p/n S6600TRMTC)

Model Numbers

- S-6600-TRM**
Shower Valve Trim with integral diverter control, Temptrol Pressure Balancing Shower Valve ordered separately
- S6600TRMTC**
Shower Valve Trim with integral diverter control, TA-10 flow control spindle and T-12A cap assembly, must order Temptrol valve with Test Cap

Compliance


- ASME A112.18.1/CSA B125.1



Warranty

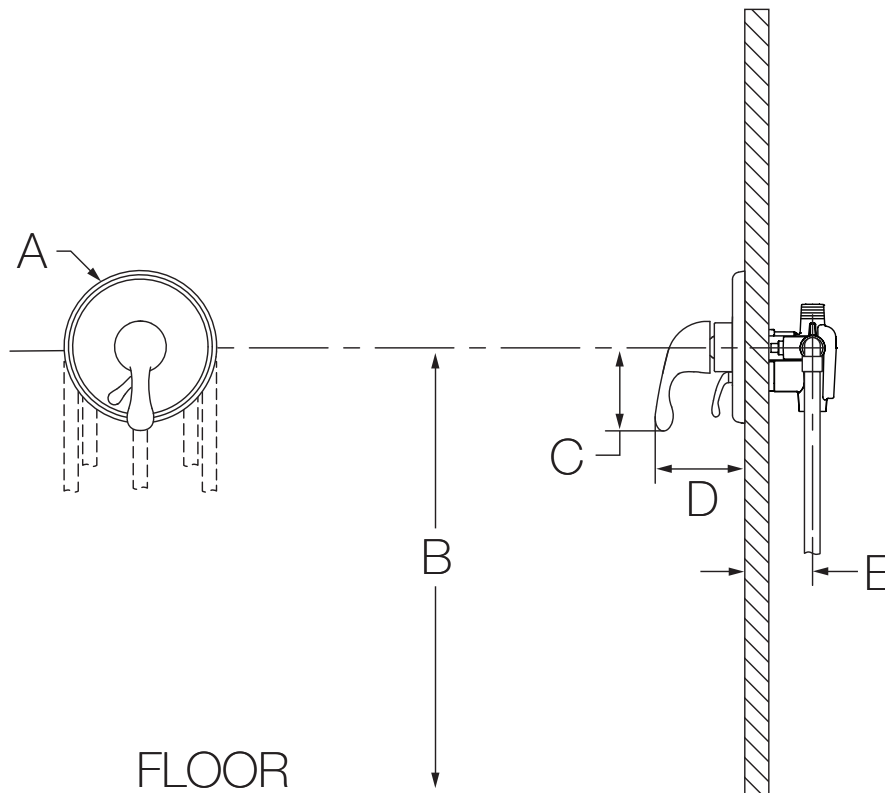
Limited Lifetime - to the original end purchaser in consumer/residential installations.
5 Years - for industrial/commercial installations.
 Refer to www.symmons.com/warranty for complete warranty information.
 Go to www.symmons.com/register to register your Symmons product.

Options/Modifications

- LP**  *Loop handle*
- OP** *13" oval plate*
- REB** *Rebuild trim kit, includes TA-10 and TA-4*
- VP** *Vandal resistant escutcheon screws in place of standard screws*
- STN** *Satin Nickel finish*

Note: Append appropriate -suffix to model number.

Dimensions



| Measurements | |
|--------------|--|
| A | Ø 6-3/8", 162 mm |
| B | Ref. 42", 1067 mm |
| C | 3-1/2", 89 mm |
| D | 3-3/4", 95 mm |
| E | Rough-in 2-3/8" ± 1/2", 60 mm ± 13 mm |

Notes:

- 1) Valve body and piping not included and shown as reference only.
- 2) Plaster shield (p/n T-176) for dry wall, plaster or other type walls 1/2" or greater.
- 3) All dimensions measured from nominal rough-in (see E as reference).
- 4) Dimensions subject to change without notice.