



Location:

# SYMMONS® Museo®

the smart choice™


S-5300-TRM, S5300TRMTC  
Shower Valve Trim  
**Specification Submittal**



### Feature Highlights

- Museo Shower Valve Trim
- Requires Temptrol® Pressure Balancing Shower Valve
- Integral volume control
- Metal lever handle
- Showerhead not included
- Tub spout not included
- Components shall be metal and nonmetallic construction, plated in standard Polished Chrome finish
- Available with TA-10 flow control spindle and T-12A cap assembly for Temptrol valve bodies installed with Test Cap (order p/n S5300TRMTC)

### Options/Modifications

- LP**  *Loop handle*
- REB** *Rebuild trim kit, includes TA-10 and TA-4*
- VP** *Vandal resistant escutcheon screws in place of standard screws*
- BLK** *Polished Graphite finish*
- STN** *Satin Nickel finish*

**Note:** Append appropriate -suffix to model number.

### Model Numbers

- S-5300-TRM**  
Shower Valve Trim with integral volume control, Temptrol Pressure Balancing Shower Valve ordered separately
- S5300TRMTC**  
Shower Valve Trim with integral volume control, TA-10 flow control spindle and T-12A cap assembly, must order Temptrol valve with Test Cap

### Compliance

- ASME A112.18.1/CSA B125.1

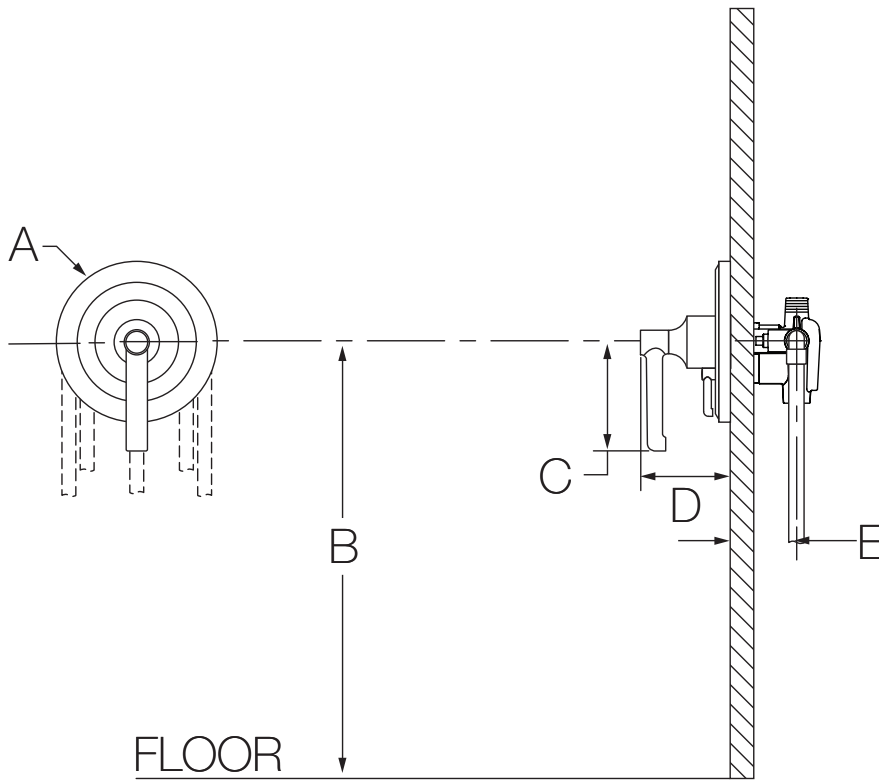


### Warranty

**Limited Lifetime** - to the original end purchaser in consumer/residential installations.  
**5 Years** - for industrial/commercial installations.  
 Refer to [www.symmons.com/warranty](http://www.symmons.com/warranty) for complete warranty information.  
 Go to [www.symmons.com/register](http://www.symmons.com/register) to register your Symmons product.

## Dimensions

Measurements	
A	Ø 6-1/4", 159 mm
B	Ref. 42", 1067 mm
C	3-1/4", 83 mm
D	3-3/4", 95 mm
E	Rough-in 2-3/8" ± 1/2", 60 mm ± 13 mm



### Notes:

- 1) Valve body and piping not included and shown as reference only.
- 2) Plaster shield (p/n T-176) for dry wall, plaster or other type walls 1/2" or greater.
- 3) All dimensions measured from nominal rough-in (see E as reference).
- 4) Dimensions subject to change without notice.