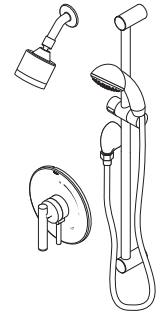




Location:



S3508BTRM, S3508BTRMTC
Shower/Hand Shower Trim
Specification Submittal

Feature Highlights

- Dia Shower/Hand Shower Trim
- Requires Temptrol® Pressure Balancing Tub/Shower Valve
- Integral diverter control
- Metal lever handle
- 30" slide bar for hand shower wand
- Dual checks for backflow protection
- 60" flexible metal hose
- 1 mode hand shower wand
- 1 mode showerhead
- 2.5 gpm (9.5 L/min) flow restrictors
- Tub spout not included
- Components shall be metal and nonmetallic construction, plated in standard Polished Chrome finish
- Available with TA-10 flow control spindle and T-12A cap assembly for Temptrol valve bodies installed with Test Cap (order p/n S3508BTRMTC)
- For optional in-line vacuum breaker order p/n EF-109

Model Numbers

- S3508BTRM**
Shower/Hand Shower Trim with integral diverter control, Temptrol Pressure Balancing Tub/Shower Valve ordered separately
- S3508BTRMTC**
Shower/Hand Shower Trim with integral diverter control, TA-10 flow control spindle and T-12A cap assembly, must order Temptrol valve with Test Cap

Compliance

- ASME A112.18.1/CSA B125.1



Warranty

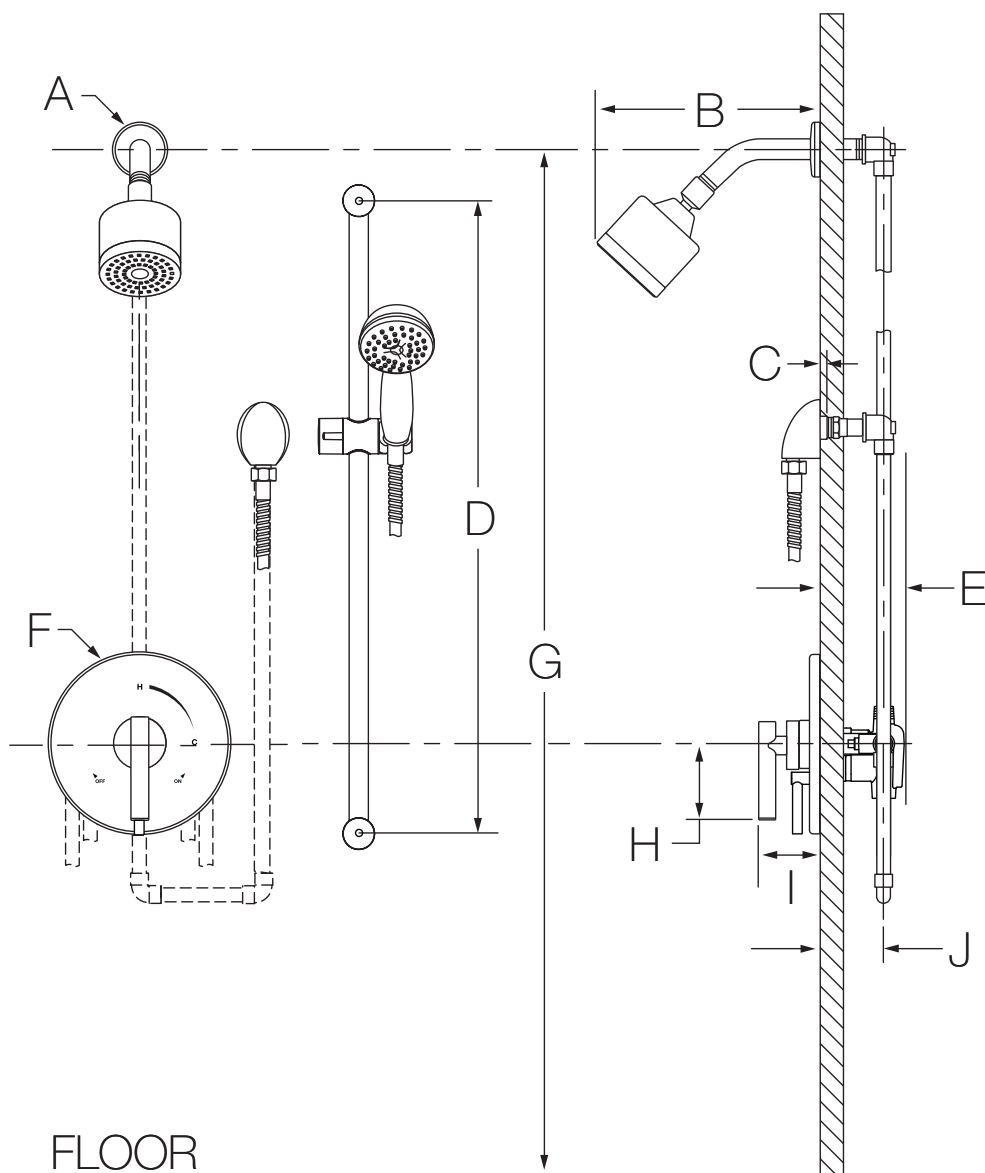
Limited Lifetime - to the original end purchaser in consumer/residential installations.
5 Years - for industrial/commercial installations.
 Refer to www.symmons.com/warranty for complete warranty information.
 Go to www.symmons.com/register to register your Symmons product.

Options/Modifications

- 1.5** 1.5 gpm (5.7 L/min) flow restrictor
- 2.0** 2.0 gpm (7.6 L/min) flow restrictor
- 72** 72" hose in place of 60" hose
- ADACHS** ADA hand shower wand (chrome)
- ADAHS** ADA hand shower wand (white)
- Delete Suffix B** Chrome plastic escutcheon on valve with color graphic/indicators in place of standard brass escutcheon
- EX** Exposed column/slide bar, hand shower bracket and hand shower wand (35EX)
- H323-V** 3 mode hand shower unit with slide bar
- H323-V-48** 3 mode hand shower unit with 48" slide bar
- H3524** 24" decorative slide/grab bar with ADA wand
- H3536** 36" decorative slide/grab bar with ADA wand
- L1** Less showerhead
- L2** Less hand shower wand
- L3** Less showerhead & hand shower wand
- QD** Quick-disconnect on hand shower units
- R** 60" white vinyl hose in place of 60" metal hose
- REB** Rebuild trim kit, includes TA-10 and TA-4
- SH2** Alternative 352SH-3, 3 mode showerhead
- SH3** Alternative 362SH Duro showerhead
- SH4** Alternative 361SH Duro square showerhead
- T724** 24" slide bar/grab bar with ADA wand
- T736** 36" slide bar/grab bar with ADA wand
- T748** 48" slide bar/grab bar with ADA wand
- VB** Elevated vacuum breaker
- BBZ** Brushed Bronze finish
- MB** Matte Black finish
- STN** Satin Nickel finish

Note: Append appropriate -suffix to model number.

Dimensions



Measurements	
A	Ø 2-1/2", 64 mm
B	6-3/4", 171 mm
C	Male 1/2" IPS fitting must be recessed 1/4" (6 mm) from finished wall
D	28-9/16", 725 mm
E	3-1/2", 89 mm
F	Ø 7-1/2", 191 mm
G	Ref. 77", 1956 mm
H	3", 76 mm
I	2-7/8", 73 mm
J	Rough-in 2-3/8" ± 1/2", 60 mm ± 13 mm

Notes:

- 1) Valve body and piping not included and shown as reference only.
- 2) Plaster shield (p/n T-176) for dry wall, plaster or other type walls 1/2" or greater.
- 3) All dimensions measured from nominal rough-in (see J as reference).
- 4) Dimensions subject to change without notice.