






Location:

SYMMONS® Origins®

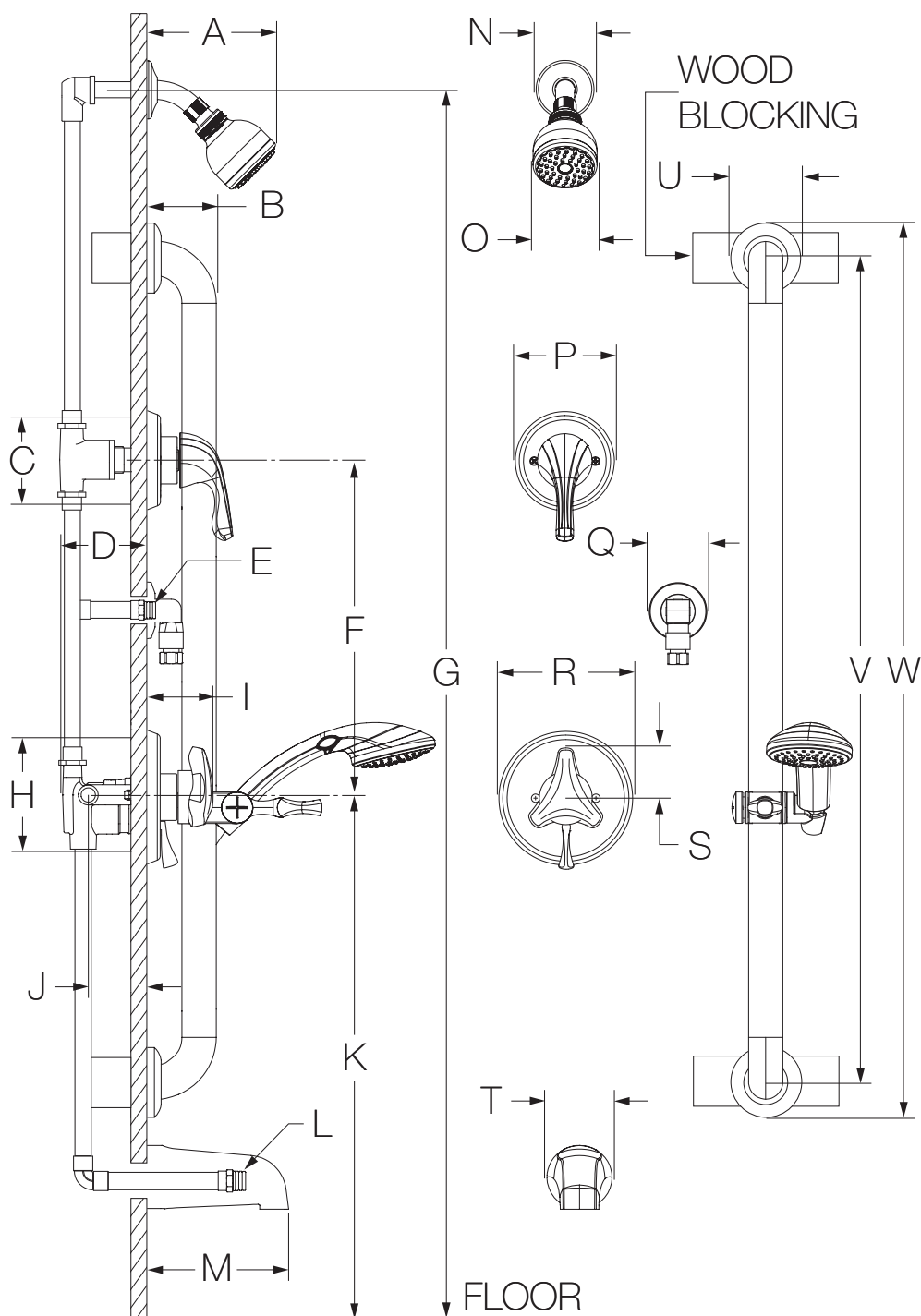
the smart choice™



S-9606-P
Tub/Shower/Hand Shower System
Specification Submittal

Specification	Modifications
<p>Tub/shower/hand shower system powered by the Temptrol® Pressure Balancing valve with integral diverter. Tub/shower/hand shower system shall include adjustable stop screw to limit handle turn, 36" slide bar, separate dual outlet diverter, non-diverter tub spout, in-line vacuum breaker, 60" flexible metal hose, ADA hand shower, 1 mode showerhead with easy to clean rubber nozzles and standard 2.5 gpm (9.5 L/min) flow restrictors. Components shall be made from metal and nonmetallic construction, plated in standard polished chrome finish.</p> 	<ul style="list-style-type: none"> <input type="checkbox"/> CG 1.5 1.5 gpm (5.7 L/min) flow restrictor <input type="checkbox"/> 2.0 2.0 gpm (7.6 L/min) flow restrictor <input type="checkbox"/> L1 Less showerhead <input type="checkbox"/> L2 Less hand shower (wand only) <input type="checkbox"/> L3 Less showerhead and hand shower <input type="checkbox"/> L4 Less head, arm and flange <input type="checkbox"/> L5 Less hand shower system (less bar, hose wand and elbow) <input type="checkbox"/> L6 Rebuild trim kit, includes TA-10 and TA-4 <input type="checkbox"/> VP Vandal resistant escutcheon screws in place of standard screws <p>Note: Append appropriate -suffix to model number.</p>
<p>Model Numbers</p>	
<ul style="list-style-type: none"> <input type="checkbox"/> S-9606-P <i>Origins tub/shower/hand shower system</i> <input type="checkbox"/> S-9606-P-TRM <i>Origins tub/shower/hand shower, trim only</i> <input type="checkbox"/> S-46-2-BODY <i>Temptrol Pressure Balancing tub/shower valve body</i> <input type="checkbox"/> S-46-2X-BODY <i>Temptrol Pressure Balancing tub/shower valve body with stops</i> <input type="checkbox"/> 2DIV-BODY <i>Symmons dual outlet diverter valve</i> 	
<p>Compliance</p>	
<p>-ASME A112.18.1/CSA B125.1 -WaterSense 1.5 gpm (5.7 L/min) 2.0 gpm (7.6 L/min)</p>	 
<p>Warranty</p>	
<p>Limited Lifetime - to the original end purchaser in consumer/residential installations. 5 Years - for industrial/commercial installations. Refer to www.symmons.com/warranty for complete warranty information.</p>	

Dimensions



Measurements	
A	6-3/8", 162 mm
B	3", 76 mm
C	Diverter Valve Hole Size Min. Ø 3", 76 mm Max. Ø 3-1/4", 83 mm
D	3-1/2", 89 mm
E	Male 1/2" NPT fitting must protrude 3/8" from finished wall
F	Ref. 10", 254 mm
G	Ref. 77", 1956 mm
H	Shower Valve Hole Size Min. Ø 3", 76 mm Max. Ø 4", 102 mm
I	2-7/8", 73 mm
J	Rough-in 2-3/8" ± 1/2", 60 mm ± 13 mm
K	Ref. 32", 813 mm
L	Male 1/2" NPT fitting must protrude 4" from finished wall
M	5-1/2", 140 mm
N	Ø 2-1/2", 64 mm
O	Ø 2-3/4", 70 mm
P	Ø 4-1/4", 108 mm
Q	Ø 2-1/2", 64 mm
R	Ø 5-3/4", 146 mm
S	2-1/8", 54 mm
T	Ø 2-1/2", 64 mm
U	Ø 3-1/8", 79 mm
V	36", 914 mm
W	39", 991 mm

Notes:

- 1) All dimensions measured from nominal rough-in (see J as reference).
- 2) Dimensions subject to change without notice.