



Location:

# SYMMONS® Origins®

the smart choice™

S-9603-PLR, S-9603-PLR-TRM, S9603PLRTRMTC  
Hand Shower System or Trim  
**Specification Submittal**



## Feature Highlights

- Origins Hand Shower System or Trim
- Requires Temptrol® Pressure Balancing Shower Valve (included with S-9603-PLR)
- Adjustable stop screw to limit handle turn (included with S-9603-PLR)
- Integral volume control
- Metal lever handle
- ADA 36" grab bar for hand shower
- Dual checks for backflow protection
- 60" flexible metal hose
- ADA 1 mode hand shower with non-positive shut-off
- Showerhead not included
- Tub spout not included
- Components shall be metal and nonmetallic construction, plated in standard Polished Chrome finish
- Available with TA-10 flow control spindle and T-12A cap assembly for Temptrol valve bodies installed with Test Cap (order p/n S9603PLRTRMTC)
- For optional in-line vacuum breaker order p/n EF-109

## Model Numbers

- S-9603-PLR**  
Hand Shower System with integral volume control & Temptrol Pressure Balancing Shower Valve
- S-9603-PLR-TRM**  
Hand Shower Trim with integral volume control, Temptrol Pressure Balancing Shower Valve ordered separately
- S9603PLRTRMTC**  
Hand Shower Trim with integral volume control, TA-10 flow control spindle and T-12A cap assembly, must order Temptrol valve with Test Cap

## Compliance




- ASME A112.18.1/CSA B125.1
- Buy American Act (S-9603-PLR only)



## Warranty

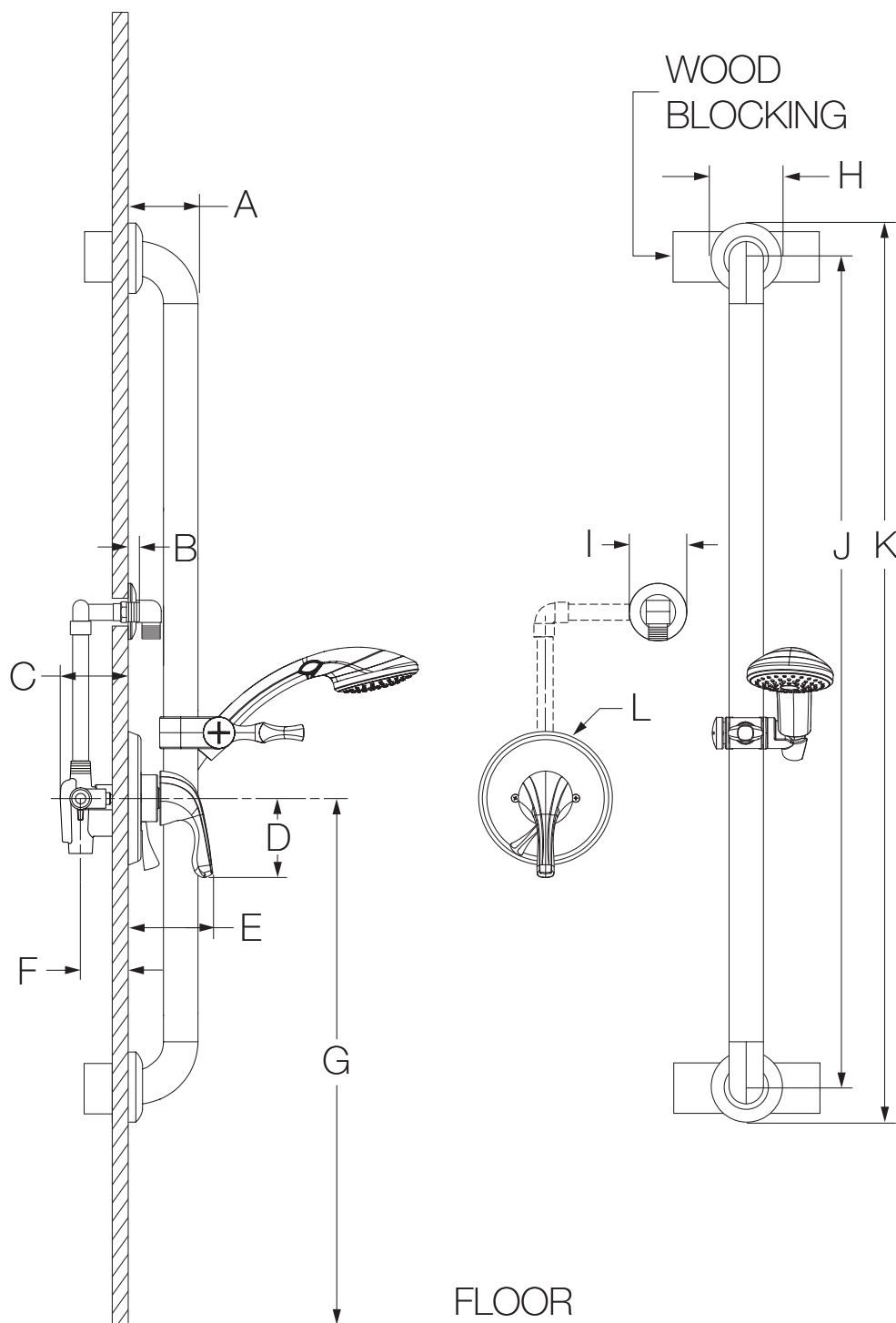
**Limited Lifetime** - to the original end purchaser in consumer/residential installations.  
**5 Years** - for industrial/commercial installations.  
 Refer to [www.symmons.com/warranty](http://www.symmons.com/warranty) for complete warranty information.  
 Go to [www.symmons.com/register](http://www.symmons.com/register) to register your Symmons product.

## Options/Modifications

- 1.5**  1.5 gpm (5.7 L/min) flow restrictor
- 2.0** 2.0 gpm (7.6 L/min) flow restrictor
- 72** 72" hose in place of 60" hose
- ADAHS** ADA hand shower wand (white)
- B** Brass escutcheon (chrome only)
- B30** 30" slide bar in place of 36" grab bar
- B48** 48" slide bar in place of 36" grab bar
- CHKS** Integral check stops - for use in installations where a positive shut-off device is used downstream of mixing valve
- D** Brass dome cover (chrome only)
- H321-V** 1 mode hand shower unit with slide bar
- H323-V** 3 mode hand shower unit with slide bar
- L2** Less hand shower wand
- LAM**  Metal finish insert handle
- LP**  Loop handle
- L/GB** Less grab bar
- OP** 13" oval plate
- QD** Quick-disconnect on hand shower units
- R** 60" white vinyl hose in place of 60" metal hose
- REB** Rebuild trim kit, includes TA-10 and TA-4
- T724** 24" slide bar/grab bar with ADA wand
- T748** 48" slide bar/grab bar with ADA wand
- VB** Elevated vacuum breaker
- VP** Vandal resistant escutcheon screws in place of standard screws
- X** Integral service stops - allows water shut-off at valve for service
- STN** Satin Nickel finish

**Note:** Append appropriate -suffix to model number.

## Dimensions



Measurements	
A	3", 76 mm
B	Male 1/2" NPT fitting must protrude 3/8" (10 mm) from finished wall
C	3-1/2", 89 mm
D	3-3/8", 86 mm
E	3-5/8", 92 mm
F	Rough-in 2-3/8" ± 1/2", 60 mm ± 13 mm
G	Ref. 42", 1067 mm
H	Ø 3-1/8", 79 mm
I	Ø 2-1/2", 64 mm
J	36", 914 mm
K	39", 991 mm
L	Ø 5-3/4", 146 mm

### Notes:

- 1) Valve body and piping not included and shown as reference only.
- 2) Plaster shield (p/n T-176) for dry wall, plaster or other type walls 1/2" or greater.
- 3) All dimensions measured from nominal rough-in (see F as reference).
- 4) Dimensions subject to change without notice.