


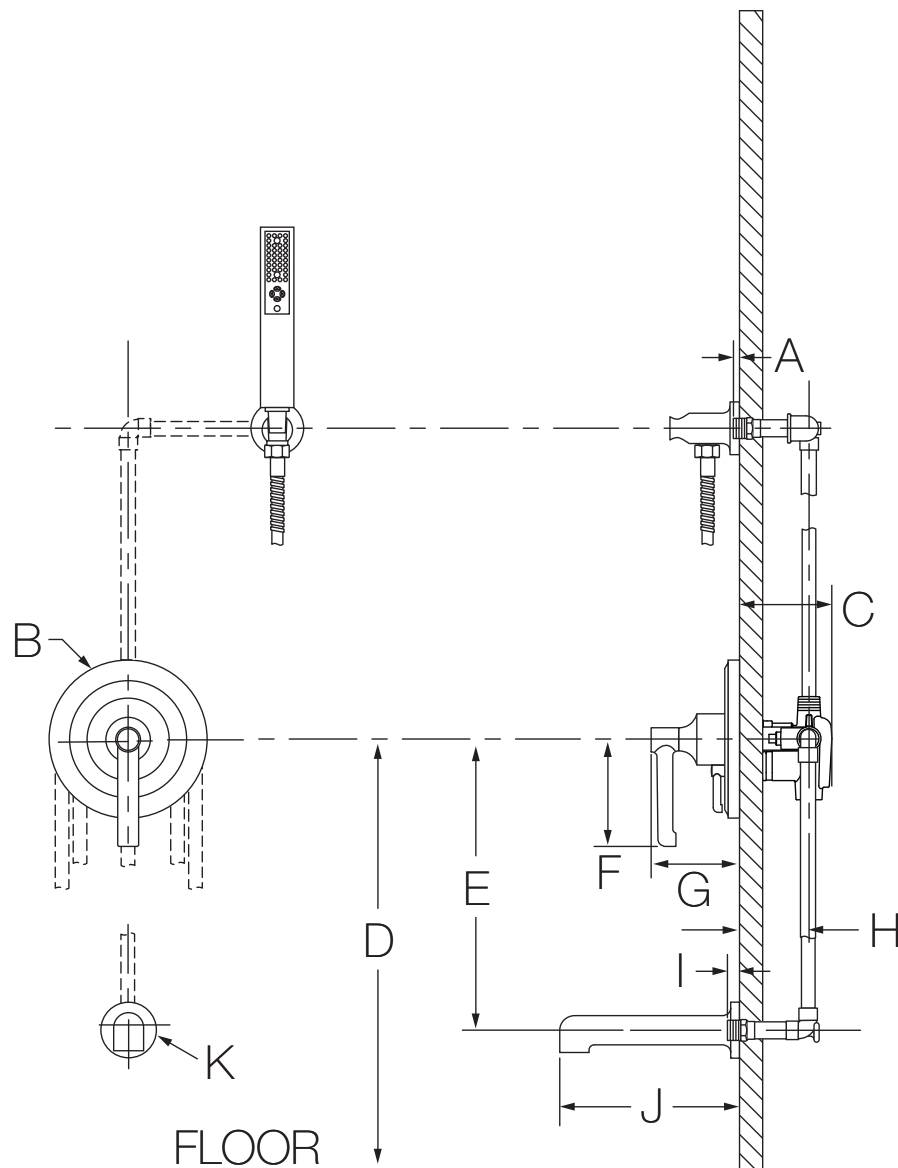


S-5304-TRM, S5304TRMTC
Tub/Hand Shower Trim
Specification Submittal



Feature Highlights	Options/Modifications
<ul style="list-style-type: none"> Museo Tub/Hand Shower Trim Requires Temptrol® Pressure Balancing Tub/Shower Valve Integral diverter control Metal lever handle 7-1/16" non-diverter tub spout Cradle for hand shower wand 60" flexible metal hose 2 mode hand shower Dual checks for backflow protection 2.5 gpm (9.5 L/min) flow restrictor Components shall be metal and nonmetallic construction, plated in standard Polished Chrome finish Available with TA-10 flow control spindle and T-12A cap assembly for Temptrol valve bodies installed with Test Cap (order p/n S5304TRMTC) For optional in-line vacuum breaker order p/n EF-109 	<ul style="list-style-type: none"> <input type="checkbox"/> -1.5  1.5 gpm (5.7 L/min) flow restrictor <input type="checkbox"/> -2.0 2.0 gpm (7.6 L/min) flow restrictor <input type="checkbox"/> -72 72" hose in place of 60" hose <input type="checkbox"/> -532HSB 30" slide bar in place of wall cradle <input type="checkbox"/> -ADACHS ADA hand shower wand (chrome) <input type="checkbox"/> -ADAHS ADA hand shower wand (white) <input type="checkbox"/> -H321-V 1 mode hand shower unit with slide bar <input type="checkbox"/> -H323-V 3 mode hand shower unit with slide bar <input type="checkbox"/> -H323-V-48 3 mode hand shower unit with 48" slide bar <input type="checkbox"/> -H3524 24" decorative slide/grab bar with ADA wand <input type="checkbox"/> -H3536 36" decorative slide/grab bar with ADA wand <input type="checkbox"/> -L2 Less hand shower wand <input type="checkbox"/> -LP  Loop handle <input type="checkbox"/> -QD Quick-disconnect on hand shower units <input type="checkbox"/> -R 60" white vinyl hose in place of 60" metal hose <input type="checkbox"/> -REB Rebuild trim kit, includes TA-10 and TA-4 <input type="checkbox"/> -T724 24" slide bar/grab bar with ADA wand <input type="checkbox"/> -T736 36" slide bar/grab bar with ADA wand <input type="checkbox"/> -T748 48" slide bar/grab bar with ADA wand <input type="checkbox"/> -VB Elevated vacuum breaker <input type="checkbox"/> -VP Vandal resistant escutcheon screws in place of standard screws <input type="checkbox"/> -BLK Polished Graphite finish <input type="checkbox"/> -STN Satin Nickel finish <p>Note: Append appropriate -suffix to model number.</p>
<h3>Model Numbers</h3> <ul style="list-style-type: none"> <input type="checkbox"/> S-5304-TRM Tub/Hand Shower Trim with integral diverter control, Temptrol Pressure Balancing Tub/Shower Valve ordered separately <input type="checkbox"/> S5304TRMTC Tub/Hand Shower Trim with integral diverter control, TA-10 flow control spindle and T-12A cap assembly, must order Temptrol valve with Test Cap 	
<h3>Compliance</h3> <ul style="list-style-type: none"> ASME A112.18.1/CSA B125.1 	
<h3>Warranty</h3> <p>Limited Lifetime - to the original end purchaser in consumer/residential installations. 5 Years - for industrial/commercial installations. Refer to www.symmons.com/warranty for complete warranty information. Go to www.symmons.com/register to register your Symmons product.</p>	

Dimensions



Measurements	
A	Male 1/2" IPS fitting must protrude 3/8" (10 mm) from finished wall
B	Ø 6-1/4", 159 mm
C	3-1/2", 89 mm
D	Ref. 32", 813 mm
E	Ref. 12", 305 mm
F	3-1/4", 83 mm
G	3-3/4", 95 mm
H	Rough-in 2-3/8" ± 1/2", 60 mm ± 13 mm
I	Male 1/2-14 NPT fitting must protrude 1/2" (13 mm) from finished wall
J	7-1/16", 179 mm
K	Ø 2-1/4" 57 mm

Notes:

- 1) Valve body and piping not included and shown as reference only.
- 2) Plaster shield (p/n T-176) for dry wall, plaster or other type walls 1/2" or greater.
- 3) All dimensions measured from nominal rough-in (see H as reference).
- 4) Dimensions subject to change without notice.