



Location:

# Carrington®

S-4400-TRM, S4400TRMTC  
Shower Valve Trim  
Specification Submittal



## Feature Highlights

- Carrington Shower Valve Trim
- Requires Temptrol® Pressure Balancing Shower Valve
- Integral volume control
- Metal lever handle
- Showerhead not included
- Components shall be metal and nonmetallic construction, plated in standard Polished Chrome finish
- Available with TA-10 flow control spindle and T-12A cap assembly for Temptrol valve bodies installed with Test Cap (order p/n S4400TRMTC)

## Model Numbers

- S-4400-TRM**  
Shower Valve Trim with integral volume control, Temptrol Pressure Balancing Shower Valve ordered separately
- S4400TRMTC**  
Shower Valve Trim with integral volume control, TA-10 flow control spindle and T-12A cap assembly, must order Temptrol valve with Test Cap

## Compliance



- ASME A112.18.1/CSA B125.1



## Warranty

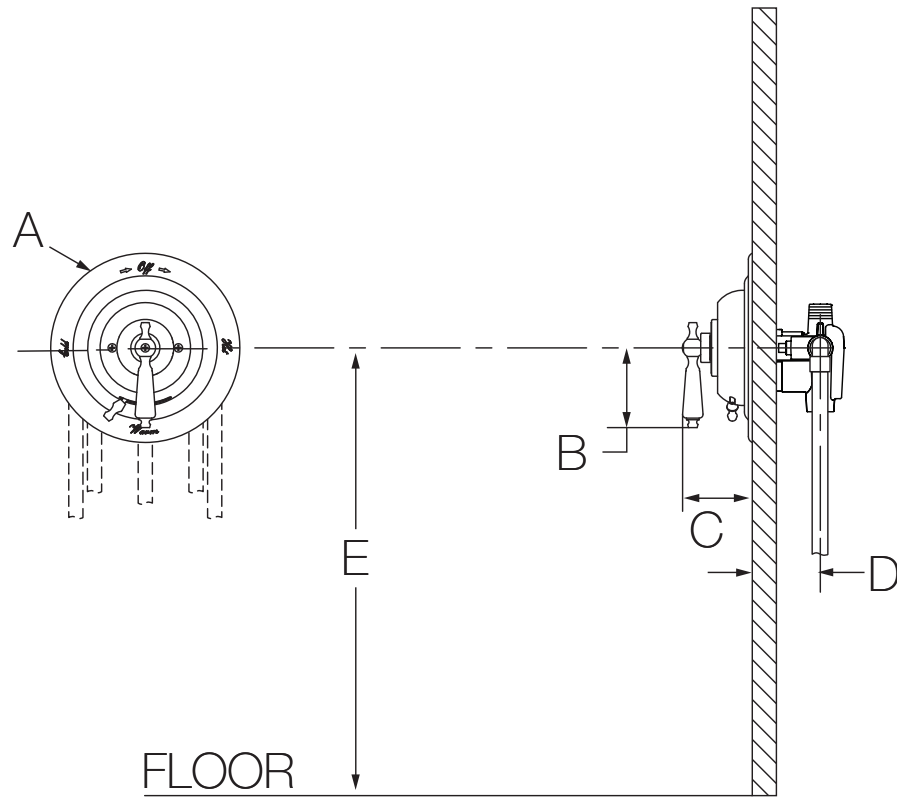
**Limited Lifetime** - to the original end purchaser in consumer/residential installations.  
**5 Years** - for industrial/commercial installations.  
 Refer to [www.symmons.com/warranty](http://www.symmons.com/warranty) for complete warranty information.  
 Go to [www.symmons.com/register](http://www.symmons.com/register) to register your Symmons product.

## Options/Modifications

- LAM**  *Metal finish insert handle*
- LP**  *Loop handle*
- REB** *Rebuild trim kit, includes TA-10 and TA-4*
- VP** *Vandal resistant escutcheon screws in place of standard screws*
- STN** *Satin Nickel finish*

**Note:** Append appropriate -suffix to model number.

## Dimensions



Measurements	
A	7-1/2", 191 mm
B	3-1/8" 79 mm
C	2-3/4", 70 mm
D	Rough-in 2-3/8" ± 1/2", 60 mm ± 13 mm
E	Ref. 42", 1067 mm

### Notes:

- 1) Valve body and piping not included and shown as reference only.
- 2) Plaster shield (p/n T-176) for dry wall, plaster or other type walls 1/2" or greater.
- 3) All dimensions measured from nominal rough-in (see D as reference).
- 4) Dimensions subject to change without notice.