



SYMMONS®
the smart choice™

Location:

S-4302-TRM, S4302TRMTC
Tub/Shower Trim
Specification Submittal



Feature Highlights

- Sereno Tub/Shower Trim
- Requires Temptrol® Pressure Balancing Tub/Shower Valve
- Integral diverter control
- Metal lever handle
- 8-1/2" non-diverter tub spout
- 1 mode showerhead
- 2.5 gpm (9.5 L/min) flow restrictor
- Components shall be metal and nonmetallic construction, plated in standard Polished Chrome finish
- Available with TA-10 flow control spindle and T-12A cap assembly for Temptrol valve bodies installed with Test Cap (order p/n S4302TRMTC)

Model Numbers

- S-4302-TRM**
Tub/Shower Trim with integral diverter control, Temptrol Pressure Balancing Tub/Shower Valve ordered separately
- S4302TRMTC**
Tub/Shower Trim with integral diverter control, TA-10 flow control spindle and T-12A cap assembly, must order Temptrol valve with Test Cap

Compliance



- ASME A112.18.1/CSA B125.1



Warranty

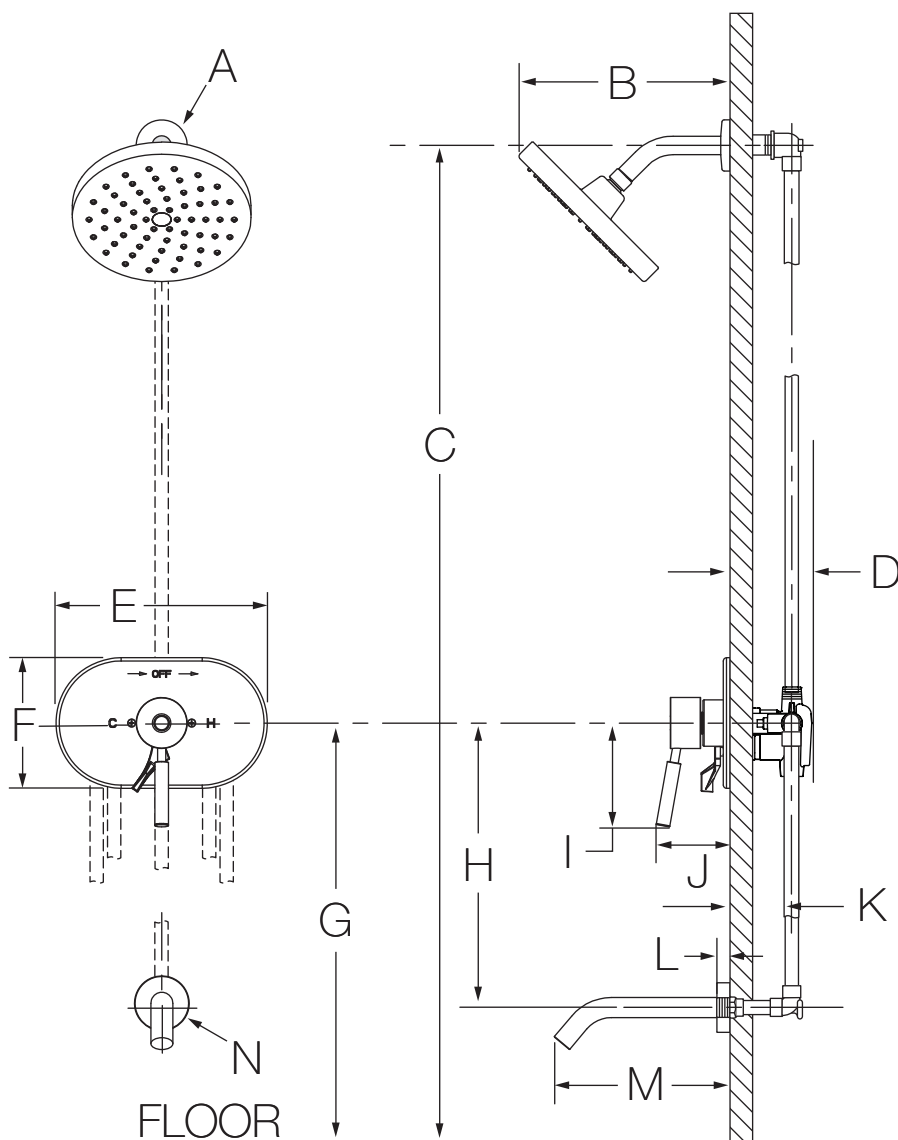
Limited Lifetime - to the original end purchaser in consumer/residential installations.
5 Years - for industrial/commercial installations.
 Refer to www.symmons.com/warranty for complete warranty information.
 Go to www.symmons.com/register to register your Symmons product.

Options/Modifications

- 1.5**  1.5 gpm (5.7 L/min) flow restrictor
- 2.0** 2.0 gpm (7.6 L/min) flow restrictor
- EX** Exposed column/slide bar, hand shower bracket and hand shower wand (35EX)
- L1** Less showerhead
- LP**  Loop handle
- REB** Rebuild trim kit, includes TA-10 and TA-4
- VP** Vandal resistant escutcheon screws in place of standard screws
- STN** Satin Nickel finish

Note: Append appropriate -suffix to model number.

Dimensions



Measurements	
A	Ø 2-1/4", 57 mm
B	9-1/4", 235 mm
C	Ref. 77", 1956 mm
D	3-1/2", 89 mm
E	9-1/4", 235 mm
F	5-3/4", 146 mm
G	Ref. 32", 813 mm
H	Ref. 12", 305 mm
I	4-1/2", 114 mm
J	3-1/4", 83 mm
K	Rough-in 2-3/8" ± 1/2", 60 mm ± 13 mm
L	Male 1/2-14 NPT fitting must protrude 1/2" (13 mm) from finished wall
M	8-1/2", 216 mm
N	Ø 2-3/8", 60 mm

Notes:

- 1) Valve body and piping not included and shown as reference only.
- 2) Plaster shield (p/n T-176) for dry wall, plaster or other type walls 1/2" or greater.
- 3) All dimensions measured from nominal rough-in (see K as reference).
- 4) Dimensions subject to change without notice.