



Location:

# SYMMONS® Sereno®

the smart choice™

S-4301-TRM, S4301TRMTC  
Shower Trim  
**Specification Submittal**



### Feature Highlights

- Sereno Shower Trim
- Requires Temptrol® Pressure Balancing Shower Valve
- Integral volume control
- Metal lever handle
- 1 mode showerhead
- 2.5 gpm (9.5 L/min) flow restrictor
- Tub spout not included
- Components shall be metal and nonmetallic construction, plated in standard Polished Chrome finish
- Available with TA-10 flow control spindle and T-12A cap assembly for Temptrol valve bodies installed with Test Cap (order p/n S4301TRMTC)

### Model Numbers

- S-4301-TRM**  
Shower Trim with integral volume control, Temptrol Pressure Balancing Shower Valve ordered separately
- S4301TRMTC**  
Shower Trim with integral volume control, TA-10 flow control spindle and T-12A cap assembly, must order Temptrol valve with Test Cap

### Compliance



- ASME A112.18.1/CSA B125.1



### Warranty

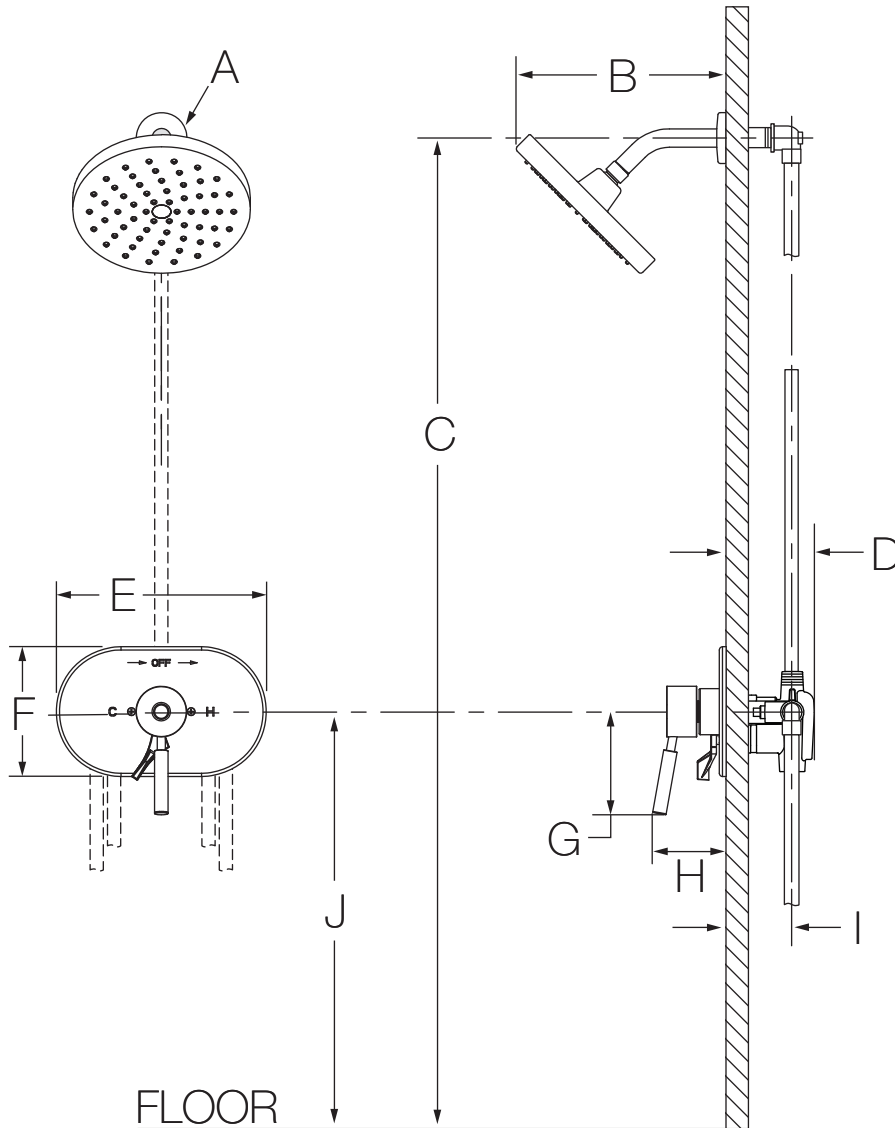
**Limited Lifetime** - to the original end purchaser in consumer/residential installations.  
**5 Years** - for industrial/commercial installations.  
 Refer to [www.symmons.com/warranty](http://www.symmons.com/warranty) for complete warranty information.  
 Go to [www.symmons.com/register](http://www.symmons.com/register) to register your Symmons product.

### Options/Modifications

- 1.5**  1.5 gpm (5.7 L/min) flow restrictor
- 2.0** 2.0 gpm (7.6 L/min) flow restrictor
- EX** Exposed column/slide bar, hand shower bracket and hand shower wand (35EX)
- L1** Less showerhead
- LP**  Loop handle
- REB** Rebuild trim kit, includes TA-10 and TA-4
- VP** Vandal resistant escutcheon screws in place of standard screws
- STN** Satin Nickel finish

**Note:** Append appropriate -suffix to model number.

## Dimensions



Measurements	
A	Ø 2-1/4", 57 mm
B	9-1/4", 235 mm
C	Ref. 77", 1956 mm
D	3-1/2", 89 mm
E	9-1/4", 235 mm
F	5-3/4", 146 mm
G	4-1/2", 114 mm
H	3-1/4", 83 mm
I	Rough-in 2-3/8" ± 1/2", 60 mm ± 13 mm
J	Ref. 42", 1067 mm

### Notes:

- 1) Valve body and piping not included and shown as reference only.
- 2) Plaster shield (p/n T-176) for dry wall, plaster or other type walls 1/2" or greater.
- 3) All dimensions measured from nominal rough-in (see I as reference).
- 4) Dimensions subject to change without notice.