


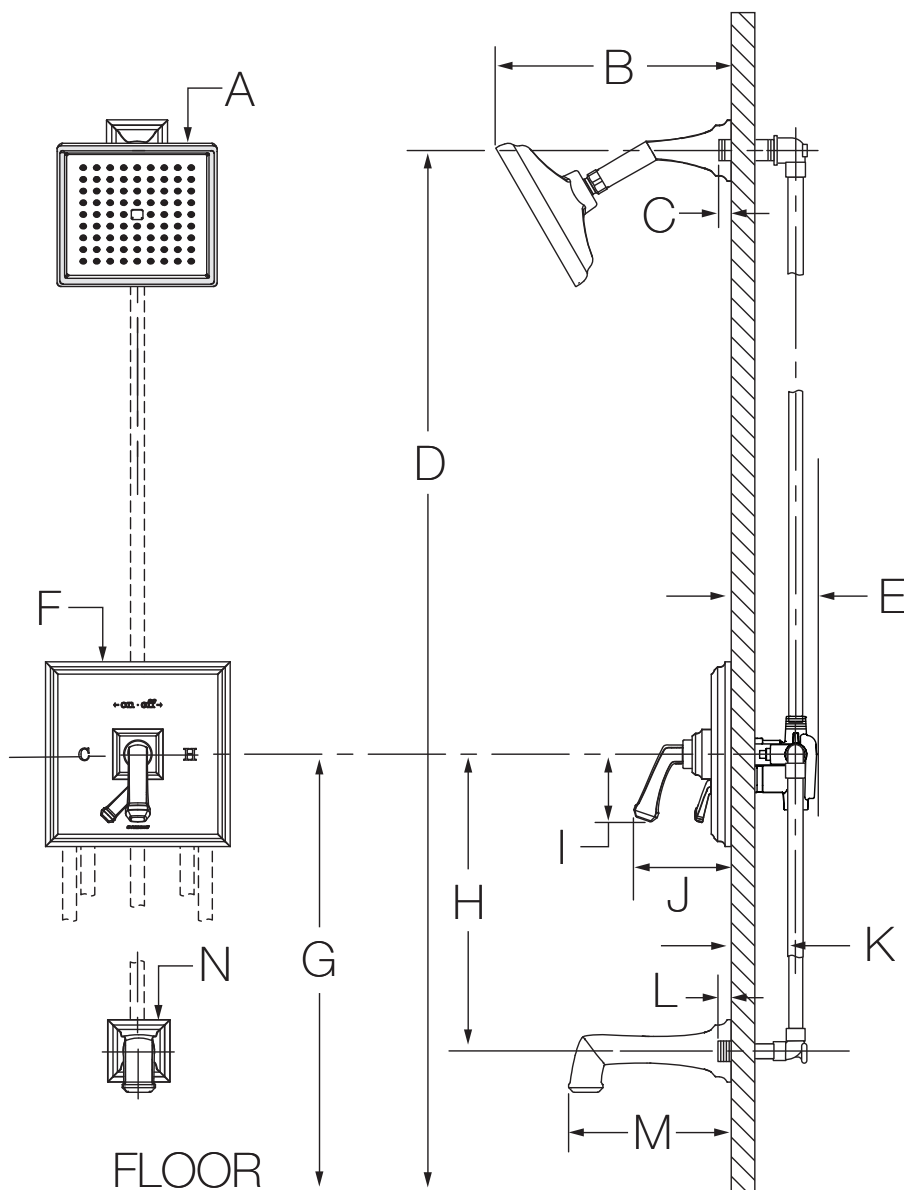


S-4202-TRM, S4202TRMTC
Tub/Shower Trim
Specification Submittal



Feature Highlights	Options/Modifications
<ul style="list-style-type: none"> • Oxford Tub/Shower Trim • Requires Temptrol® Pressure Balancing Tub/Shower Valve • Integral diverter control • Metal lever handle • 6-1/2" non-diverter tub spout • 1 mode showerhead • 2.5 gpm (9.5 L/min) flow restrictor • Components shall be metal and nonmetallic construction, plated in standard Polished Chrome finish • Available with TA-10 flow control spindle and T-12A cap assembly for Temptrol valve bodies installed with Test Cap (order p/n S4202TRMTC) 	<ul style="list-style-type: none"> <input type="checkbox"/> -1.5  1.5 gpm (5.7 L/min) flow restrictor <input type="checkbox"/> -2.0 2.0 gpm (7.6 L/min) flow restrictor <input type="checkbox"/> -L1 Less showerhead <input type="checkbox"/> -LP  Loop handle <input type="checkbox"/> -REB Rebuild trim kit, includes TA-10 and TA-4 <input type="checkbox"/> -VP Vandal resistant escutcheon screws in place of standard screws <input type="checkbox"/> -STN Satin Nickel finish
<p>Model Numbers</p> <ul style="list-style-type: none"> <input type="checkbox"/> S-4202-TRM Tub/Shower Trim with integral diverter control, Temptrol Pressure Balancing Tub/Shower Valve ordered separately <input type="checkbox"/> S4202TRMTC Tub/Shower Trim with integral diverter control, TA-10 flow control spindle and T-12A cap assembly, must order Temptrol valve with Test Cap 	<p>Note: Append appropriate -suffix to model number.</p>
<p>Compliance</p> <ul style="list-style-type: none"> • ASME A112.18.1/CSA B125.1 	
<p>Warranty</p> <p>Limited Lifetime - to the original end purchaser in consumer/residential installations. 5 Years - for industrial/commercial installations. Refer to www.symmons.com/warranty for complete warranty information. Go to www.symmons.com/register to register your Symmons product.</p>	

Dimensions



Measurements	
A	Sq. 6-1/2", 165 mm
B	9-5/8", 245 mm
C	1/2", 13 mm
D	Ref. 77", 1956 mm
E	3-1/2", 89 mm
F	Sq. 7-1/2", 191 mm
G	Ref. 32", 813 mm
H	Ref. 12", 305 mm
I	2-9/16", 65 mm
J	4", 102 mm
K	Rough-in 2-3/8" ± 1/2", 60 mm ± 13 mm
L	Male 1/2-14 NPT fitting must protrude 1/2" (13 mm) from finished wall
M	6-1/2", 165 mm
N	Sq. 2-1/2", 64mm

Notes:

- 1) Valve body and piping not included and shown as reference only.
- 2) Plaster shield (p/n T-176) for dry wall, plaster or other type walls 1/2" or greater.
- 3) All dimensions measured from nominal rough-in (see K as reference).
- 4) Dimensions subject to change without notice.