



Location:

S-4104-TRM, S4104TRMTC
Tub/Hand Shower Trim
Specification Submittal



Feature Highlights

- Naru Tub/Hand Shower Trim
- Requires Temptrol® Pressure Balancing Tub/Shower Valve
- Integral diverter control
- Metal lever handle
- 7-1/8" non-diverter tub spout
- Cradle for hand shower wand
- 60" flexible metal hose
- 3 mode hand shower
- Dual checks for backflow protection
- 2.5 gpm (9.5 L/min) flow restrictor
- Components shall be metal and nonmetallic construction, plated in standard Polished Chrome finish
- Available with TA-10 flow control spindle and T-12A cap assembly for Temptrol valve bodies installed with Test Cap (order p/n S4104TRMTC)
- For optional in-line vacuum breaker order p/n EF-109

Options/Modifications

- 1.5** **CG** 1.5 gpm (5.7 L/min) flow restrictor
- 2.0** 2.0 gpm (7.6 L/min) flow restrictor
- L2** Less hand shower
- PNL** Polished Nickel finish
- STN** Satin Nickel finish

Note: Append appropriate -suffix to model number.

Model Numbers

- S-4104-TRM**
Tub/Hand Shower Trim with integral diverter control, Temptrol Pressure Balancing Tub/Shower Valve ordered separately
- S4104TRMTC**
Tub/Hand Shower Trim with integral diverter control, TA-10 flow control spindle and T-12A cap assembly, must order Temptrol valve with Test Cap

Compliance

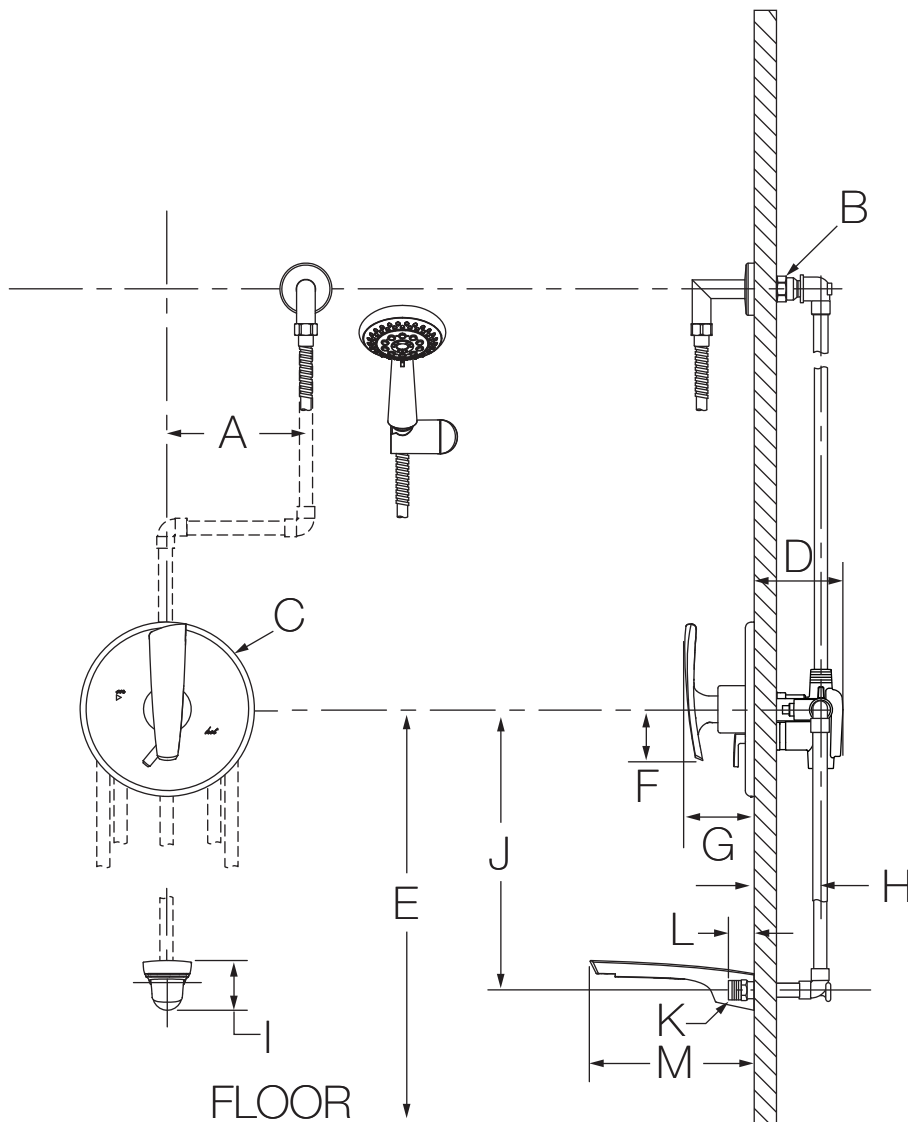
- ASME A112.18.1/CSA B125.1



Warranty

Limited Lifetime - to the original end purchaser in consumer/residential installations.
5 Years - for industrial/commercial installations.
 Refer to www.symmons.com/warranty for complete warranty information.
 Go to www.symmons.com/register to register your Symmons product.

Dimensions



Measurements	
A	6", 152 mm
B	Female 1/2" IPS thread must be recessed 7/8" (22 mm) from finished wall
C	Ø 7-1/2", 191 mm
D	3-1/2", 89 mm
E	Ref. 32", 813 mm
F	2-1/4", 57 mm
G	3", 76 mm
H	Rough-in 2-3/8" ± 1/2", 60 mm ± 13 mm
I	2-1/8", 54 mm
J	Ref. 12", 305 mm
K	Male 1/2-14 NPT fitting must protrude 1/2" (13 mm) from finished wall
L	1/2", 13 mm
M	7-1/8", 181 mm

Notes:

- 1) Valve body and piping not included and shown as reference only.
- 2) Plaster shield (p/n T-176) for dry wall, plaster or other type walls 1/2" or greater.
- 3) All dimensions measured from nominal rough-in (see H as reference).
- 4) Dimensions subject to change without notice.