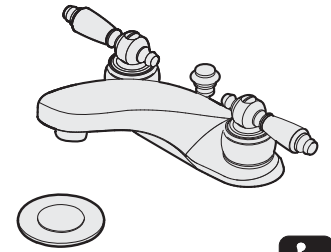


Location:



Lavatory Faucet S-240-2-LAM-1.5 Specifications Submittal



Model Numbers

- S-240-2-LAM-1.5 Lavatory Faucet with pop-up drain assembly

Finish Options / Modifications

Append appropriate -suffix to model number.

- STN Satin nickel
 - Polished chrome (standard finish)

Options / Modifications

Append appropriate -suffix to model number.

- 1.0 1.0 (3.8 L/min) Flow rate restrictor

Feature Highlights

- Two handle 4 inch centerset lavatory faucet with lever handles and quarter turn ceramic components.
- 1/2 inch IPS shanks
- Pop-up drain with lift rod
- Aerator, 1.5 gpm flow rate (5.7 L/min)
- Metal construction, polished chrome finish

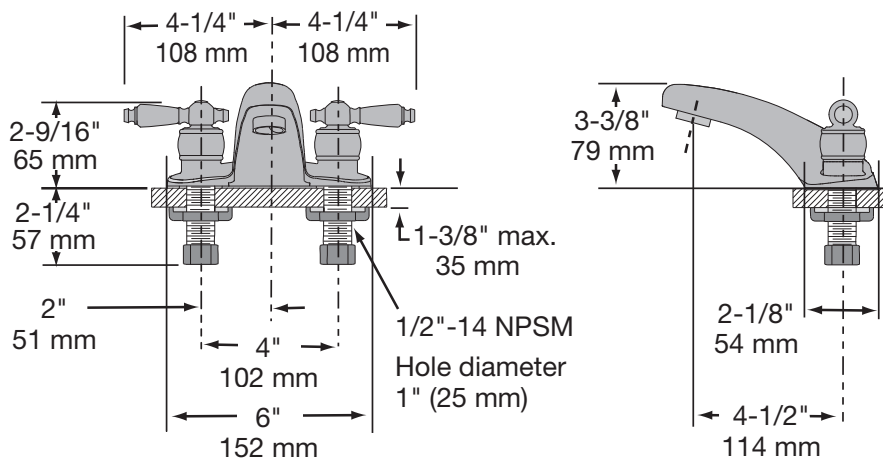
Standards / Certifications

ASME A112.18.1/CSA B125.1

Warranty

- Limited Lifetime - to the original end purchaser in consumer installations.
- 5 years - for commercial installations

Dimensions Allura Lavatory Faucet, S-240-2-LAM-1.5 Series



Note: Dimensions subject to change without notice.

Symmons Industries, Inc. ■ 31 Brooks Drive ■ Braintree, MA 02184
Phone: (800) 796-6667 ■ Fax: (800) 961-9621
Website: symmons.com ■ Email: gethelp@symmons.com

Copyright © 2019 Symmons Industries, Inc. ZV-1973 REV 0 ■ 123119

