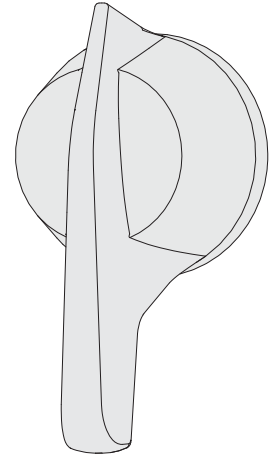


Location:



Handle, RC-14SH

Specification Submittal



Model Numbers

- RC-14SH Handle

Finish Options / Modifications

Append appropriate -suffix to model number.

- Polished chrome (standard finish)

Product Highlights

- Lever handle
- Polished Chrome finish

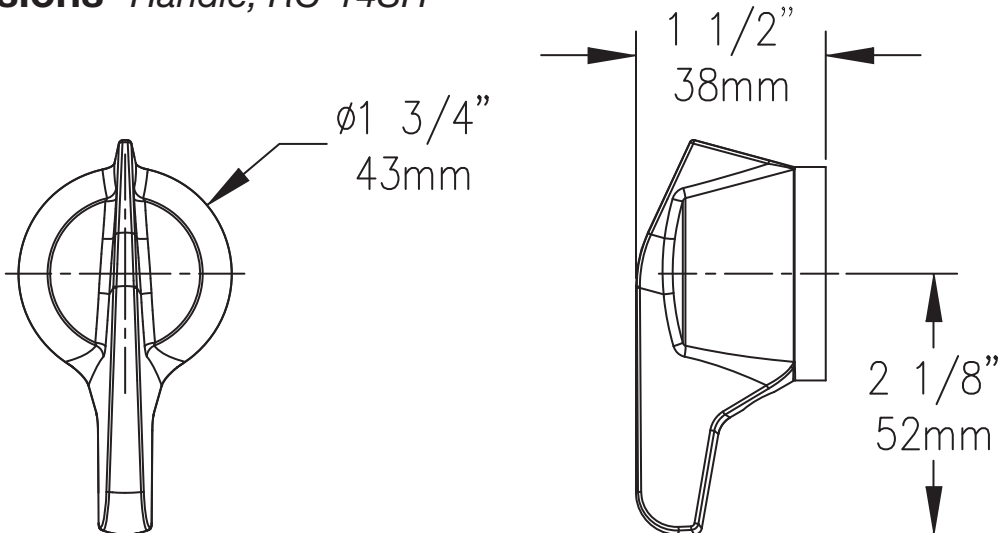
Warranty

- **Limited Lifetime** - to the original end purchaser in residential / consumer installations.
- **5 years** - for commercial installations

Standards / Certifications

ASME A112.18.1-2005/CSA B125.1-05

Dimensions *Handle, RC-14SH*



Note: Dimensions subject to change without notice.

Symmons Industries, Inc. ■ 31 Brooks Drive ■ Braintree, MA 02184
(800) 796-6667, (781) 848-2250 ■ Fax (800) 961-9621, (781) 664-1300
Website: www.symmons.com ■ Email: customerservice@symmons.com

©2009 Symmons Industries, Inc. Printed in U.S.A. ■ 060909

