



7-225, 7-230 Series  
Thermostatic Mixing Valve  
Specification Submittal


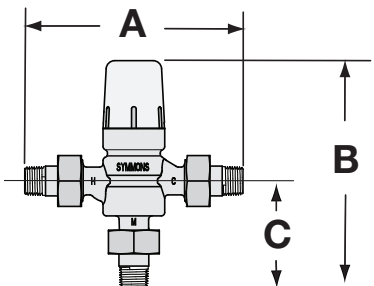
Model Numbers	Feature Highlights
<ul style="list-style-type: none"> <li><input type="checkbox"/> <b>7-225-CK-MS</b>     <i>1/2" male NPT, 1/2" female sweat</i></li> <li><input type="checkbox"/> <b>7-225-CK-F</b>     <i>1/2" female NPT</i></li> <li><input type="checkbox"/> <b>7-225-CK-PEX</b>     <i>1/2" PEX</i></li> <li><input type="checkbox"/> <b>7-230-CK-M</b>     <i>3/4" male NPT</i></li> <li><input type="checkbox"/> <b>7-230-CK-FS</b>     <i>3/4" female sweat</i></li> </ul>	<p>Water temperature limiting valve including integral checks and dual stainless steel strainers for double protection against suspended particles in supply lines. Valve made from lead free* metal components (see table 1 for flow rates).</p> <p><b>Temperature control range:</b> 60°F - 140°F (15.6°C - 60°C)</p>
Options/Modifications	<p><b>Minimum supply pressure:</b> 20 psi (138 kPa) <b>Maximum supply pressure:</b> 125 psi (862 kPa) <b>Inlet to outlet temperature differential:</b> 10°F (5.55°C)</p> <p>*According to US Senate bill S.3874, the term "lead free" is defined as follows: "not more than a weighted average of 0.25 percent lead when used with respect to the wetted surfaces of pipes, pipe fittings, plumbing fittings, and fixtures."</p>
<ul style="list-style-type: none"> <li><input type="checkbox"/> <b>-B</b>     <i>Wall cabinet in white enamel finish including wall mounting bracket</i></li> <li><input type="checkbox"/> <b>-NI</b>     <i>Rough Nickel finish</i></li> <li><input type="checkbox"/> <b>-T</b>     <i>Stainless steel cabinet in place of standard white cabinet</i></li> <li><input type="checkbox"/> <b>-W</b>     <i>Wall mounting bracket</i></li> <li><input type="checkbox"/> <b>-X</b>     <i>Separate stops (7-225-CK-MS only)</i></li> </ul> <p><b>Note:</b> Append appropriate -suffix to model number.</p>	
Warranty	Compliance
<p><b>Limited Lifetime</b> - to the original end purchaser in consumer/residential installations. <b>5 Years</b> - for industrial/commercial installations. Refer to <a href="http://www.symmons.com/warranty">www.symmons.com/warranty</a> for complete warranty information.</p>	<ul style="list-style-type: none"> <li>-ASME A112.18.1/CSA B125.1</li> <li>-ASSE 1017/CSA B125.3</li> <li>-ASSE 1070/CSA B125.3</li> <li>-NSF/ANSI 61.9; NSF/ANSI 372</li> <li>-US S.3874</li> </ul> 

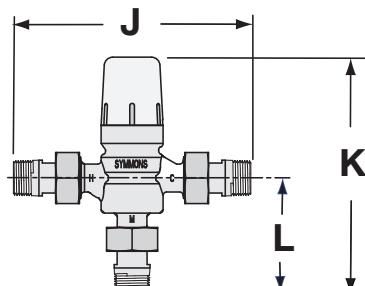
Table 1: Flow Rate - gpm (L/min)								
Valve Model	Size Connection	Min. Flow Rate	Pressure Differential - psi (kPa)					
			5 psi (34 kPa)	10 psi (69 kPa)	20 psi (138 kPa)	25 psi (172 kPa)	30 psi (207 kPa)	45 psi (310 kPa)
7-225-CK-MS	1/2" (13 mm)	0.5 gpm (1.9 L/min)	4.5 gpm (17.1 L/min)	7.0 gpm (26.6 L/min)	9.5 gpm (36.1 L/min)	10.5 gpm (39.9 L/min)	12.0 gpm (45.6 L/min)	14.0 gpm (53.2 L/min)
7-225-CK-F	1/2" (13 mm)	0.5 gpm (1.9 L/min)	4.5 gpm (17.1 L/min)	7.0 gpm (26.6 L/min)	9.5 gpm (36.1 L/min)	10.5 gpm (39.9 L/min)	12.0 gpm (45.6 L/min)	14.0 gpm (53.2 L/min)
7-225-CK-PEX	1/2" (13 mm)	0.5 gpm (1.9 L/min)	3.5 gpm (13.3 L/min)	5.5 gpm (20.9 L/min)	8.0 gpm (30.4 L/min)	8.5 gpm (32.3 L/min)	9.5 gpm (36.1 L/min)	12.0 gpm (45.6 L/min)
7-230-CK-M	3/4" (19 mm)	0.5 gpm (1.9 L/min)	5.0 gpm (19.0 L/min)	7.0 gpm (26.6 L/min)	10.0 gpm (38.0 L/min)	11.0 gpm (41.8 L/min)	12.0 gpm (45.6 L/min)	14.0 gpm (53.2 L/min)
7-230-CK-FS	3/4" (19 mm)	0.5 gpm (1.9 L/min)	5.0 gpm (19.0 L/min)	7.0 gpm (26.6 L/min)	10.0 gpm (38.0 L/min)	11.0 gpm (41.8 L/min)	12.0 gpm (45.6 L/min)	14.0 gpm (53.2 L/min)

## Dimensions

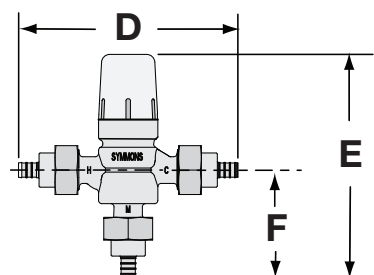
7-225-CK-MS



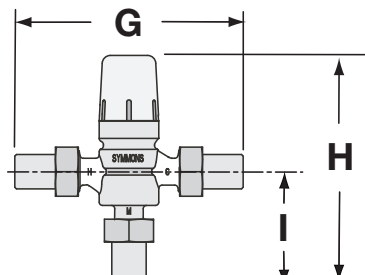
7-230-CK-M



7-225-CK-PEX



7-225-CK-F, 7-230-CK-FS

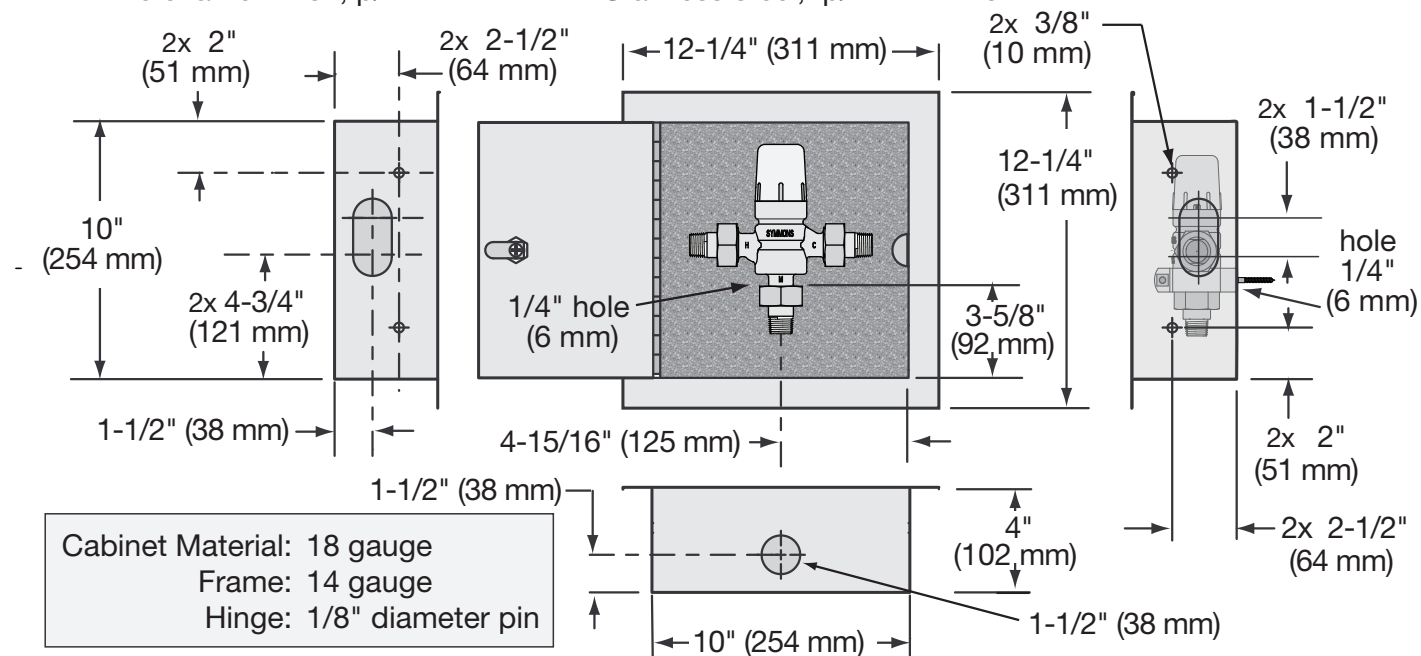


### Measurements

A	6-7/16", 164 mm
B	6-9/16", 167 mm
C	3-1/8", 79 mm
D	6-3/4", 171 mm
E	6-11/16", 170 mm
F	3-1/4", 83 mm
G	7", 178 mm
H	6-13/16", 173 mm
I	3-3/8", 86 mm
J	7", 178 mm
K	6-13/16", 173 mm
L	3-3/8", 86 mm

Wall cabinet (optional), surface mounted

- White enamel finish, p/n TMX-147
- Stainless steel, p/n TMX-148



**Note:** Dimensions are subject to change without notice.