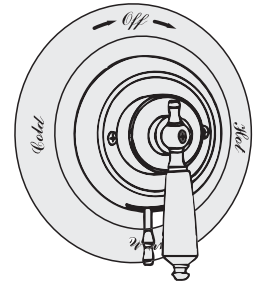
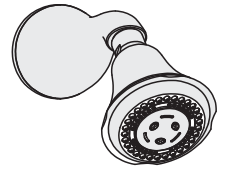


Location:

# SYMMONS<sup>®</sup> Carrington<sup>™</sup>

## Shower System S-4401 Specification Submittal



### Feature Highlights

- Symmons shower system with lever handles.
- Symmons Temptrol<sup>®</sup> pressure balancing mixing valve with adjustable stop screw to limit handle turn.
- Secondary integral volume control handle
- Three mode shower head with arm and flange
- Flow rate 2.5 gpm (9.5 L/min)
- Metal construction with polished chrome finish

### Model Numbers

- S-4401..... Shower System with Symmons Temptrol<sup>®</sup> pressure balancing mixing valve, p/n S-4001-BODY
- S-4401-TRM..... Trim only, valve must be ordered separately
- S-4001-BODY..... Symmons Temptrol<sup>®</sup> pressure balancing mixing valve without trim
- S-4001-X-BODY...Symmons Temptrol<sup>®</sup> pressure balancing mixing valve without trim. Valve includes integral service stops to allow water shut-off for service.

### Finish Options / Modifications

*Append appropriate -suffix to model number.*

- STN Satin nickel
- Polished chrome (standard finish)

### Options / Modifications

*Append appropriate -suffix to model number.*

- IPS 1/2 inch female IPS connections on Symmons Temptrol<sup>®</sup> mixing valve
- X Symmons Temptrol<sup>®</sup> pressure balancing mixing valve includes integral service stops to allow water shut-off for service, p/n S-4001-X-BODY. (Option only applies when ordering model S-4401.)
- 2.0 2.0 (7.6 L/min) Flow rate restrictor
- 1.5 1.5 (5.7 L/min) Flow rate restrictor

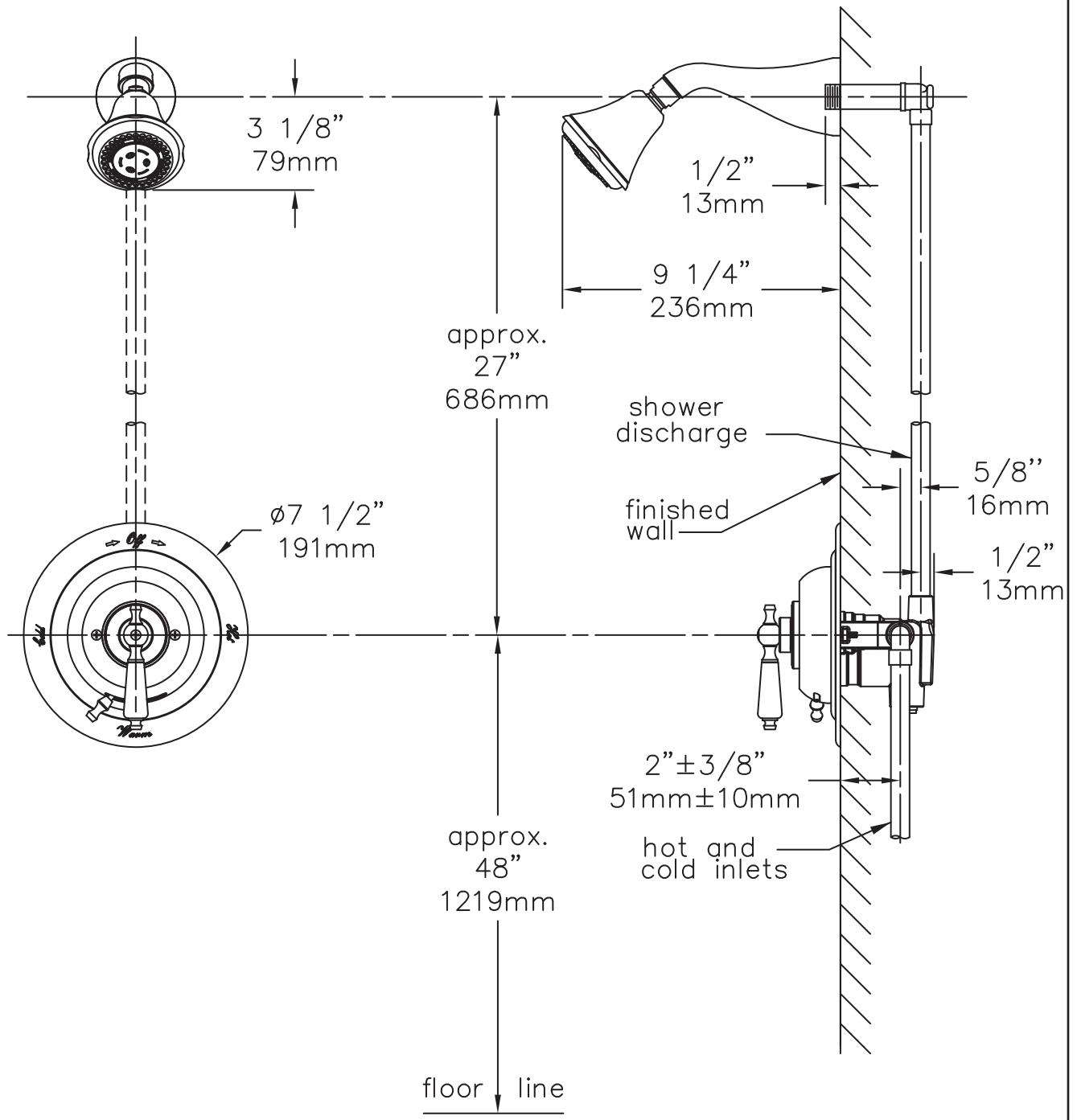
### Standards / Certifications

ASME A112.18.1-2005/CSA B125.1-05

### Warranty

- Limited Lifetime - to the original end purchaser in consumer installations.
- 5 years - for commercial installations

## Dimensions Carrington Shower System, S-4401



**Note:** Dimensions subject to change without notice.