

Location:




# SYMMONS® Degas™

## Tub-Shower System 5402

### Specification Submittal



#### Feature Highlights

- Symmons Tub-Shower System with lever handle
- Symmons Temptrol® pressure-balancing mixing valve with adjustable stop screw to limit handle turn
- Showerhead #402SH2 three mode, 7-1/2 inch diameter
- Showerhead mounting bracket and flange
- Standard flow rate is 2.5 gpm (9.5 L/min)  
*Optional lower flow rate restrictor available* 
- Tub spout with diverter, # 542TSD
- Polished chrome finish

#### Model Numbers

- 5402  
Tub-Shower System with Symmons Temptrol® mixing valve p/n 4000-BODY
- 5402-TRM  
Trim only, mixing valve ordered separately
- 4000-BODY  
Symmons Temptrol® mixing valve without trim
- 4000-X-BODY  
Symmons Temptrol® mixing valve without trim. Valve includes integral service stops to allow water shut-off for service

#### Finish Options / Modifications

*Append appropriate -suffix to model number*



- STN Satin Nickel
- ORB Oil Rubbed Bronze
- Polished Chrome (standard finish)

#### Warranty

- Limited Lifetime - to the original end purchaser in consumer installations
- 5 years - for commercial installations

#### Options / Modifications

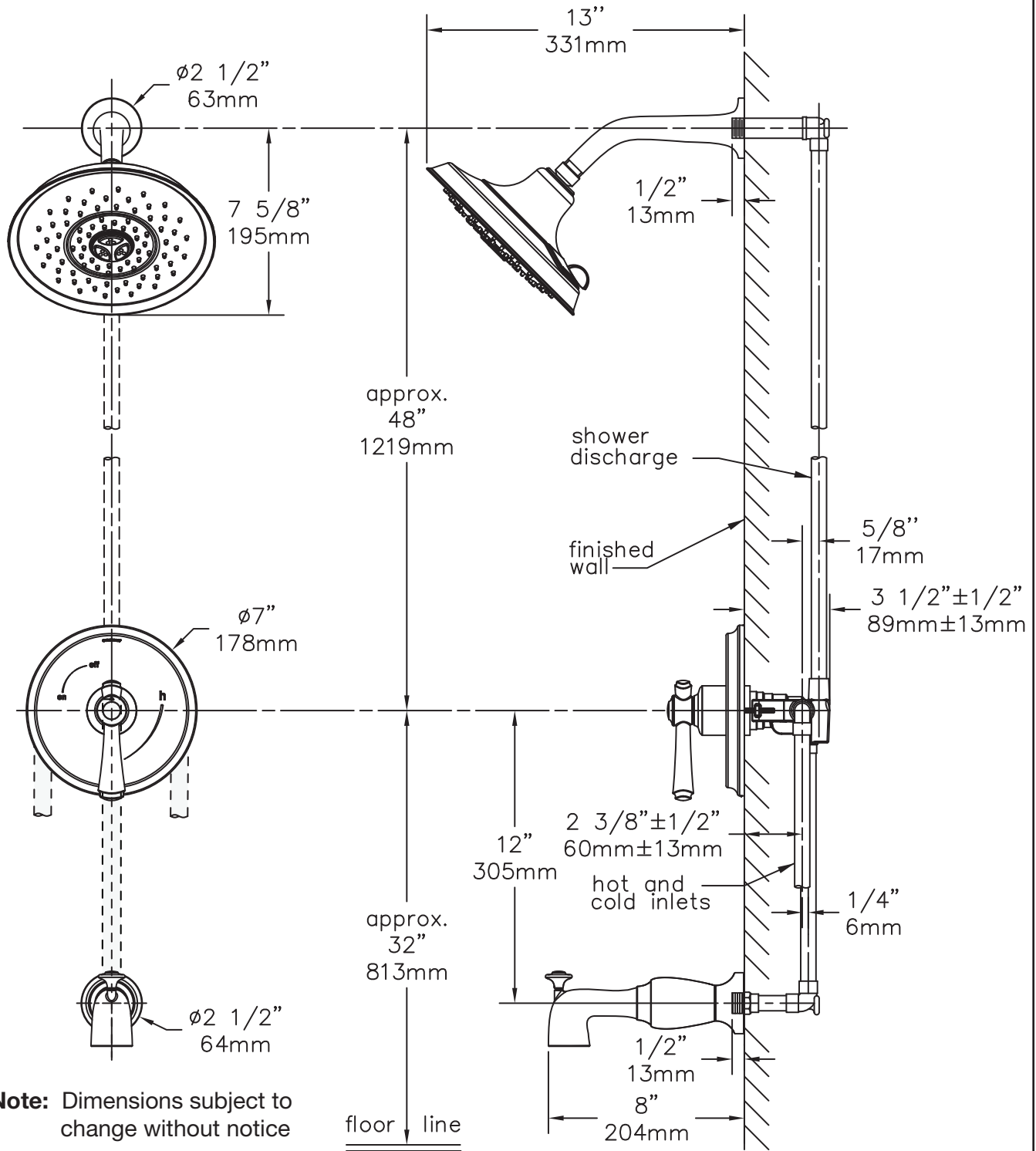
*Append appropriate -suffix to model number*

- IPS 1/2 inch female IPS connections on Temptrol® mixing valve
- X Integral service stops included with Temptrol mixing valve to allow water shut-off for service, p/n 4000-X-BODY (*option only applies when ordering model 5402*)
- REV Reverse coring in valve for back to back installations; hot on right, cold on left (*only available with -X integral service stops*)
- L/HD Showerhead not included. (*includes showerhead arm and flange only*)
-  -2.0 2.0 (7.6 L/min) flow rate restrictor
-  -1.5 1.5 (5.7 L/min) flow rate restrictor

#### Standards / Certifications

ASME A112.18.1-2005/CSA B125.1-05

# Dimensions Degas Tub-Shower System, 5402



**Note:** Dimensions subject to change without notice