

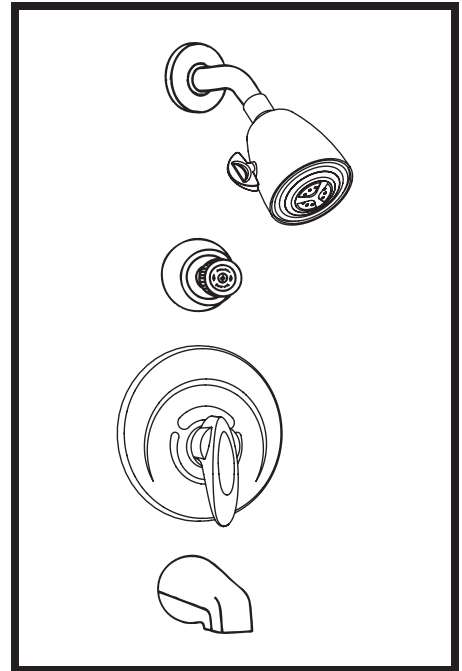
1-210 Safetymix® Tub and Shower System

Safetymix Pressure-Balancing mixing valve with lever handle and adjustable stop screw to limit handle turn. Push-button diverter with volume control for shower head. Super shower head with arm and flange. Tub spout.

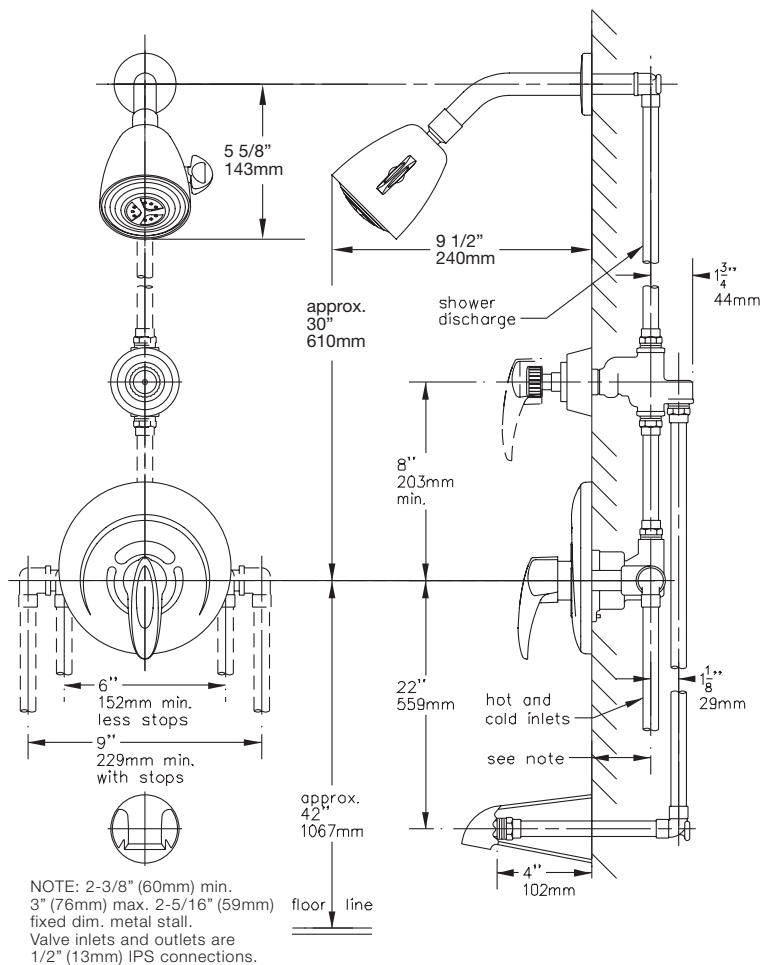
Modifications:

Suffix X: Integral service stops—allows water shut-off at valve for service

Suffix X-3/4: 3/4" valve to increase flow approximately 20%



**SYMMONS PRODUCTS MEET
ANSI A112.18.1M, EPA '92
AND ALL KNOWN FLOW RATE
REQUIREMENTS.
Shower Heads and Hand Showers
2.5 GPM (9.5 L/min)**



Job/Location

.....
.....

Engineer

.....
.....

Contractor

.....
.....

This drawing to be used for rough-in installation only. All floor to center dimensions optional. Concealed piping and fittings not furnished by manufacturer. For ADA compliance (Americans with Disabilities Act) consult ADAAG or your state regulations for proper product choice and mounting locations. For complete installation, adjustment and service information see installation instructions.

Symmons Industries, Inc. ■ 31 Brooks Drive ■ Braintree, MA 02184
(800) 796-6667, (781) 848-2250 ■ Fax (800) 961-9621, (781) 843-3849
Website: www.symmons.com ■ Email: customerservice@symmons.com

