

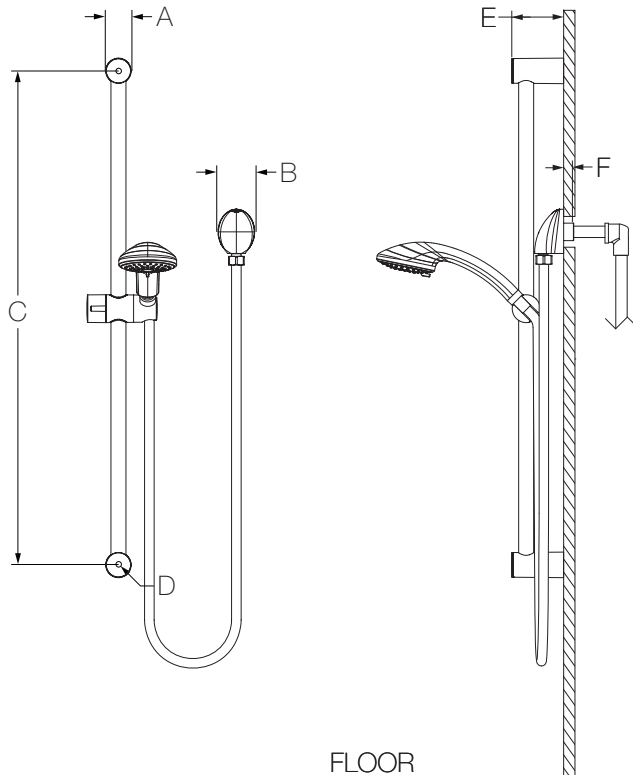


H423-V  
3 Mode Hand Shower Unit  
**Specification Submittal**

<b>Model Numbers</b>	<b>Feature Highlights</b>
<input type="checkbox"/> <b>H423-V</b> <i>3 Mode Hand Shower Unit</i>	<ul style="list-style-type: none"> <li>• 3 mode hand shower</li> <li>• 3-3/4" diameter hand shower head</li> <li>• In-line vacuum breaker for backflow protection</li> <li>• 30" slide bar with cradle for hand shower mounting</li> <li>• 60" flexible metal hose</li> <li>• Standard 2.5 gpm (9.5 L/min) flow restrictor</li> <li>• Shall be metal and nonmetallic construction, plated in standard polished chrome finish</li> </ul>
<b>Options/Modifications</b>	
<input type="checkbox"/> <b>-1.5</b>  <i>1.5 gpm (5.7 L/min) flow restrictor</i> <input type="checkbox"/> <b>-2.0</b> <i>2.0 gpm (7.6 L/min) flow restrictor</i> <input type="checkbox"/> <b>-STN</b> <i>Satin Nickel finish</i> <b>Note:</b> Append appropriate -suffix to model number.	
<b>Compliance</b>	<b>Warranty</b>
- ASME A112.18.1/CSA B125.1 	<b>Limited Lifetime</b> - to the original end purchaser in consumer installations. <b>5 Years</b> - for commercial installations. Refer to <a href="http://www.symmons.com/warranty">www.symmons.com/warranty</a> for complete warranty information.

**Dimensions**



Measurements	
A	Ø 1-1/2", 38 mm
B	2-1/8", 54 mm
C	28-9/16", 725 mm
D	(2x) Hole Size: Ø 1/4", 6 mm
E	3", 76 mm
F	Male 1/2-14 NPT fitting must be recessed 1/4" (6 mm) from finished wall

**Note:** Dimensions subject to change without notice.