

Location:



Hand Shower Wand, EF-101 Specification Submittal

Model Numbers

- EF-101 Hand shower wand

Options / Modifications

Append appropriate -suffix to model number.

- CG** -1.5 1.5 gpm (5.7 L/min) flow restrictor
- 2.0 2.0 gpm (7.6 L/min) flow restrictor

Finish Options / Modifications

Append appropriate -suffix to model number.

- STN Satin nickel
- Polished chrome (standard finish)

Feature Highlights

- Three function hand shower wand with full shower pulsating message and soft shower water saving spray head
- Includes check for backflow protection
- Hand shower wand flow rate 2.5 gpm (9.5 L/min)
Optional lower flow rates
- Polished chrome finish (standard)

Standards / Certifications

-ASME A112.18.1/CSA B125.1

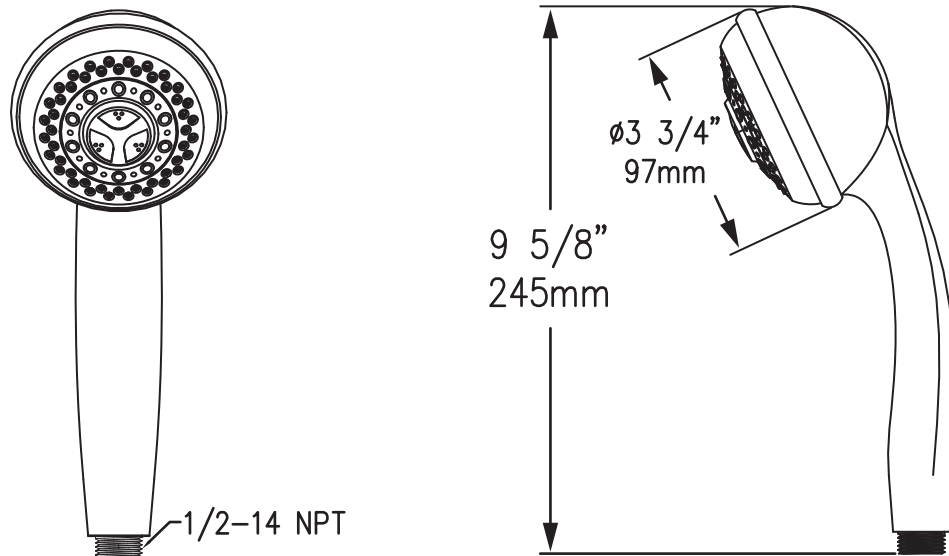
-WaterSense 1.5 gpm and 2.0 gpm



Warranty

- Limited Lifetime - to the original end purchaser in residential / consumer installations
- 5 years - for commercial installations

Dimensions Hand Shower Wand, EF-101



Symmons Industries, Inc. ■ 31 Brooks Drive ■ Braintree, MA 02184
Phone: (800) 796-6667 ■ Fax: (800) 961-9621
Website: symmons.com ■ Email: gethelp@symmons.com

Copyright © 2018 Symmons Industries, Inc. ■ ZV-1822 REV B ■ 102218

