



Location:

# Temptrol® Commercial

C-96-1-150-X,  
C-96-1-150-TRM & C961150TRMTC  
Shower System & Trim  
**Specification Submittal**



## Feature Highlights

- Temptrol Commercial Shower System or Trim
- Requires Temptrol® Pressure Balancing Shower Valve (included with C-96-1-150-X)
- Integral service stops allow water shutoff at valve for service (included with C-96-1-150-X)
- Adjustable stop screw to limit hand turn (included with C-96-1-150-X)
- Metal lever handle
- Tub spout not included
- 4-150 institutional showerhead
- 2.5 gpm (9.5 L/min) flow restrictor
- Components shall be metal and nonmetallic construction, plated in standard Polished Chrome finish
- Available with TA-10 flow control spindle and T-12A cap assembly for Temptrol valve bodies installed with Test Cap (order p/n C961150TRMTC)

## Model Numbers

- C-96-1-150-X**  
Shower System with Temptrol Pressure Balancing Shower Valve
- C-96-1-150-TRM**  
Shower Trim, Temptrol Pressure Balancing Shower Valve ordered separately
- C961150TRMTC**  
Shower Trim with TA-10 flow control spindle and T-12A cap assembly, must order Temptrol valve with Test Cap

## Compliance




- ASME A112.18.1/CSA B125.1



## Warranty

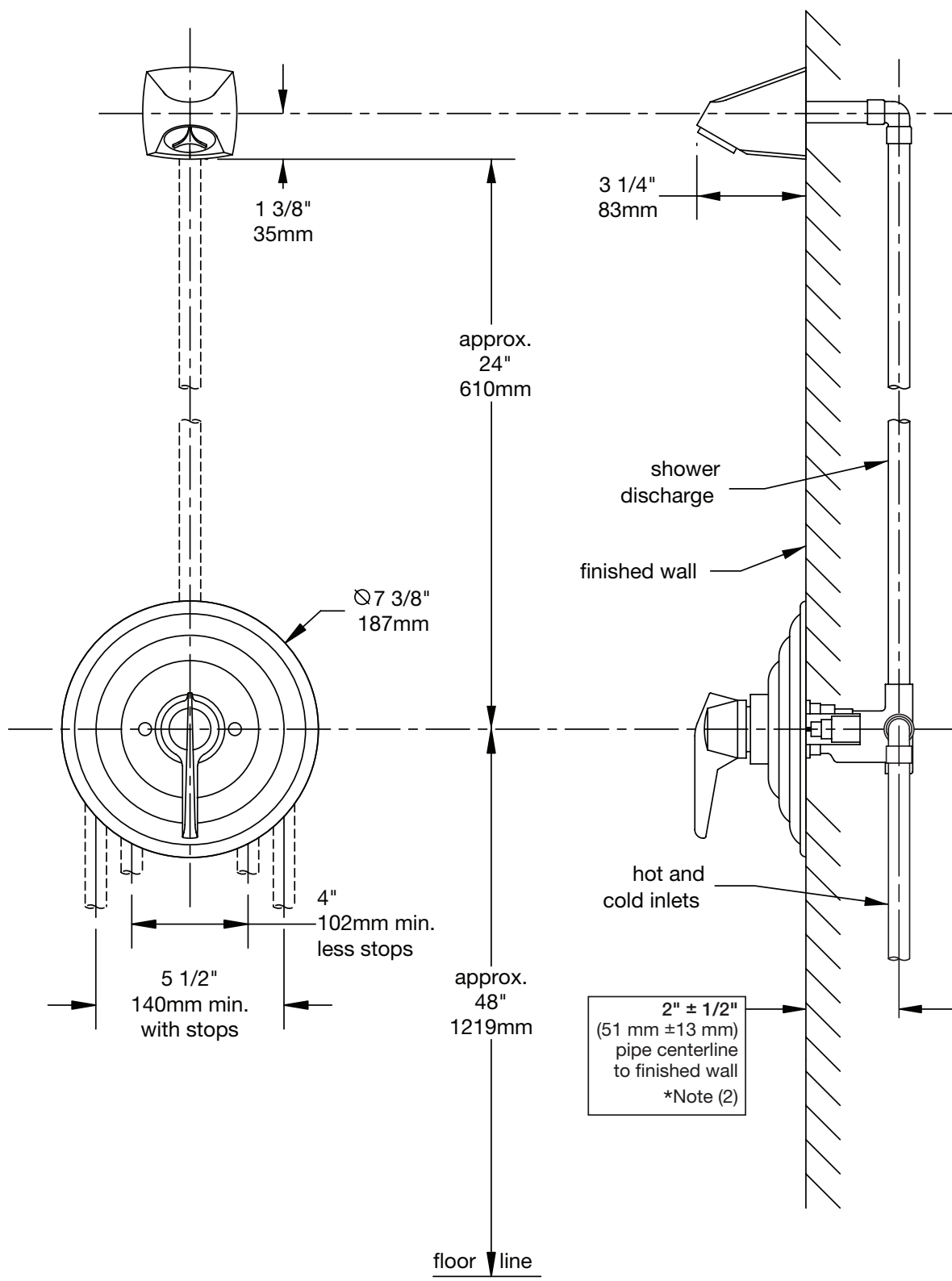
**Limited Lifetime** - to the original end purchaser in consumer/residential installations.  
**5 Years** - for industrial/commercial installations.  
Refer to [www.symmons.com/warranty](http://www.symmons.com/warranty) for complete warranty information.  
Go to [www.symmons.com/register](http://www.symmons.com/register) to register your Symmons product.

## Options/Modifications

- 1.5**  1.5 gpm (5.7 L/min) flow restrictor
- 2.0** 2.0 gpm (7.6 L/min) flow restrictor
- 15** Space saving 15 spray angle head
- 231** Super showerhead
- A** Anchor plate to simplify mounting on ceramic tile
- BB** Back plate and thru bolts for extra thick walls up to 8 inches - specify dimension for thicker walls
- L1** Less showerhead
- LAM**  Metal finish insert handle
- LP**  Loop handle
- REB** Rebuild trim kit, includes TA-10 and TA-4
- VP** Vandal resistant escutcheon screws in place of standard screws
- Delete Suffix X** Less integral service stops
- CHKS** Integral check stops - for use in installations where a positive shut-off device is used downstream of mixing valve

**Note:** Append appropriate -suffix to model number.

## Dimensions



### Notes:

- 1) Valve body and piping not included and shown as reference only.
- 2) Plaster shield (p/n T-176) for dry wall, plaster or other type walls 1/2" or greater.
- 3) All dimensions measured from nominal rough-in.
- 4) Dimensions subject to change without notice.