



Location:

# Temptrol® Commercial

C-96-300-B30-V-X,  
C-96-300-B30-V-TRM & C96300B30TRMTC  
Hand Shower System & Trim  
**Specification Submittal**



## Feature Highlights

- Temptrol Commercial Hand Shower System or Trim
- Requires Temptrol® Pressure Balancing Shower Valve (included with C-96-300-B30-V-X)
- Integral service stops allow water shutoff at valve for service (included with C-96-300-B30-V-X)
- Adjustable stop screw to limit hand turn (included with C-96-300-B30-V-X)
- Metal lever handle
- Dual checks for backflow protection
- 30" slide bar for hand shower
- 60" flexible metal hose
- 1 mode hand shower
- 2.5 gpm (9.5 L/min) flow restrictor
- Tub spout and showerhead not included
- Components shall be metal and nonmetallic construction, plated in standard Polished Chrome finish
- Available with TA-10 flow control spindle and T-12A cap assembly for Temptrol valve bodies installed with Test Cap (order p/n C96300B30TRMTC)

## Model Numbers

- C-96-300-B30-V-X**  
Hand Shower System with Temptrol Pressure Balancing Shower Valve
- C-96-300-B30-V-TRM**  
Hand Shower Trim, Temptrol Pressure Balancing Shower Valve ordered separately
- C96300B30TRMTC**  
Hand Shower Trim with TA-10 flow control spindle and T-12A cap assembly, must order Temptrol valve with Test Cap

## Compliance




- ASME A112.18.1/CSA B125.1



## Warranty

**Limited Lifetime** - to the original end purchaser in consumer/residential installations.  
**5 Years** - for industrial/commercial installations.  
Refer to [www.symmons.com/warranty](http://www.symmons.com/warranty) for complete warranty information.  
Go to [www.symmons.com/register](http://www.symmons.com/register) to register your Symmons product.

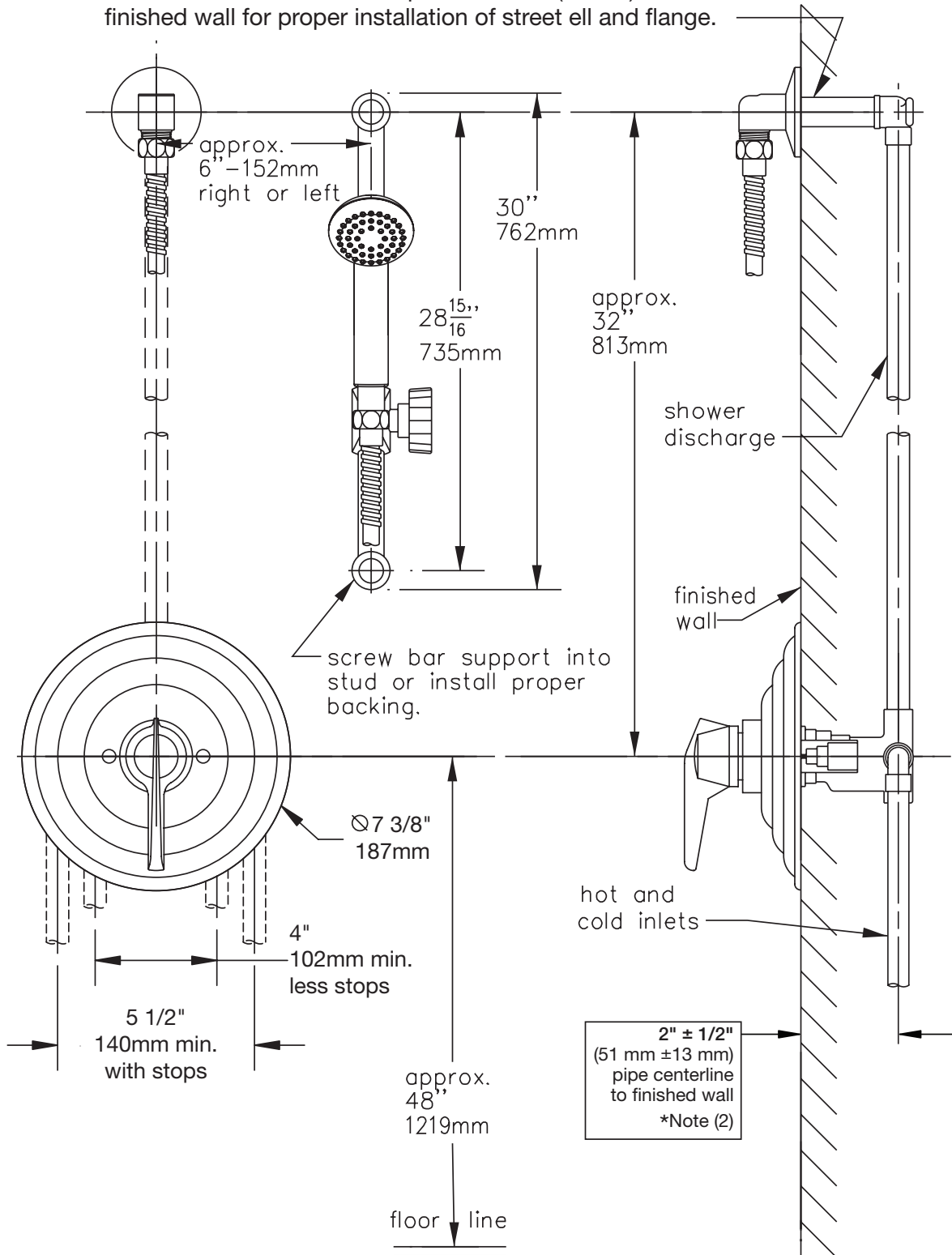
## Options/Modifications

- 1.5**  1.5 gpm (5.7 L/min) flow restrictor
- 2.0** 2.0 gpm (7.6 L/min) flow restrictor
- 72** 72" hose in place of 60" hose
- ADAHS** ADA hand shower wand (white)
- Delete Suffix B30** 2 wall hooks in place of 30" bar
- B48** 48" adjusting bar in place of 30" bar
- L2** Less hand shower
- LAM**  Metal finish insert handle
- LP**  Loop handle
- QD** Quick-disconnect on hand shower units
- R** 60" white vinyl hose in place of 60" metal hose
- REB** Rebuild trim kit, includes TA-10 and TA-4
- T24** 24" slide bar/grab bar with white ADA wand
- T36** 36" slide bar/grab bar with white ADA wand
- T48** 48" slide bar/grab bar with white ADA wand
- T724** 24" slide bar/grab bar with chrome ADA wand
- T736** 36" slide bar/grab bar with chrome ADA wand
- T748** 48" slide bar/grab bar with chrome ADA wand
- VB** Elevated vacuum breaker
- VP** Vandal resistant escutcheon screws in place of standard screws
- Delete Suffix X** Less integral service stops
- CHKS** Integral check stops - for use in installations where a positive shut-off device is used downstream of mixing valve

**Note:** Append appropriate -suffix to model number.

## Dimensions

Male 1/2" I.P.S. thread must protrude 3/8" (10mm) from finished wall for proper installation of street ell and flange.



### Notes:

- 1) Valve body and piping not included and shown as reference only.
- 2) Plaster shield (p/n T-176) for dry wall, plaster or other type walls 1/2" or greater.
- 3) All dimensions measured from nominal rough-in.
- 4) Dimensions subject to change without notice.