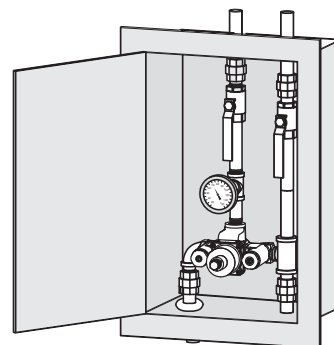


Location:

SYMMONS® TempControl®

Thermostatic Mixing Valve, Cabinet & Piping with Cold Water By-pass, BW Series

Specification Submittal



Feature Highlights

- TempControl thermostatic controller
 - ▷ Check stops
 - ▷ Removable/replaceable cartridge
 - ▷ Stainless steel piston
 - ▷ Thermal motor with Turbulator™
- Volume control shut-off valve
- Bimetal dial thermometer
 - ▷ Range 20°-240°F (-7°- 116°C)
 - ▷ 3 inch (76 mm) face
- Cold water by-pass valve
- Bottom supplies
- Top Outlet
- Cabinet with hinged left hand door & cylinder lock
 - ▷ Body, 18 gauge (1.2 mm)
 - ▷ Door, 13 gauge (2.4 mm)
 - ▷ Fully recessed (standard)
 - ▷ White finish (standard)
- Brass pipes, fittings and unions to cabinet limits
- Interior parts in standard rough bronze finish
- TempControl valves are certified to:
 - ▷ ASME A112.18.1/CSA B125.1 ▷ CA 116875 (AB 1953)
 - ▷ CSA B125.3 ▷ NSF 372
 - ▷ ASSE 1017 ▷ US S.3874

Model Numbers

Models	----- Pipe sizes -----		
	Inlets	Outlets	Bypass
<input type="checkbox"/> 7-200BW*	3/4" (19mm)	3/4" (19mm)	3/4" (19mm)
<input type="checkbox"/> 7-400BW*	3/4" (19mm)	1" (25mm)	3/4" (19mm)
<input type="checkbox"/> 7-500BW*	1" (25mm)	1 1/4" (32mm)	1" (25mm)
<input type="checkbox"/> 7-700BW*	1 1/4" (32mm)	1 1/2" (38mm)	1 1/4" (32mm)

*The 7 Series model numbers above replace the 6 Series.

General Options / Modifications

Append appropriate -suffix to model number.

- V Vacuum breaker (not shown)

Cabinet Modifications only

Append appropriate -suffix to model number.

- M Surface mounted cabinet
- S Semi-recessed cabinet with 4 inch return flange

Finish Options / Modifications

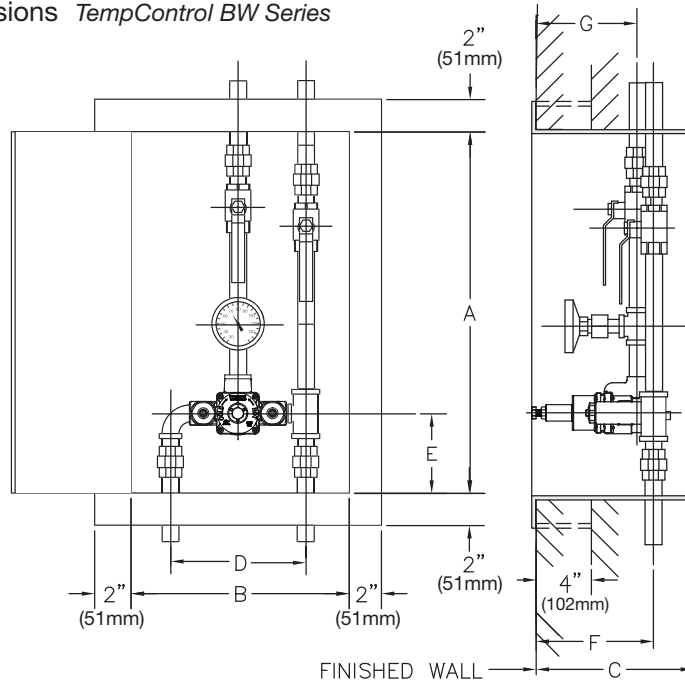
Append appropriate -suffix to model number.

- NI Rough nickel finish
- T Stainless steel finish (cabinet only)
- P Valves and piping with a polished chrome highlight finish
 - White finish (standard cabinet finish)

Warranty

- 5 years - for commercial installations

Dimensions *TempControl BW Series*



Physical Dimensions

Model No.	A	B	C	D	E	F	G
7-200BW	22 3/8" (568mm)	13 3/4" (349mm)	13" (330mm)	8 1/2" (216mm)	4 1/4" (108mm)	11" (279mm)	10 1/4" (260mm)
7-400BW	22 3/8" (568mm)	13 3/4" (349mm)	13" (330mm)	8 1/2" (216mm)	4 1/4" (108mm)	11" (279mm)	10 1/4" (260mm)
7-500BW	31" (787mm)	17" (432mm)	14" (356mm)	11" (279mm)	4 3/4" (121mm)	11 1/2" (292mm)	10 1/4" (260mm)
7-700BW	31" (787mm)	17" (432mm)	14" (356mm)	12" (305mm)	7" (178mm)	11 1/2" (292mm)	10 1/4" (260mm)

Note: Dimension "C" references depth of hole required for recessed cabinet installation.

Flow Rate - gpm (L/min)

Valve Model	Min. Flow Rate*	Min. Flow Rate	Pressure Differential - psi (kPa)					
			5 psi (34 kPa)	10 psi (69 kPa)	20 psi (138 kPa)	25 psi (172 kPa)	30 psi (207 kPa)	45 psi (310 kPa)
7-200BW	0.5 gpm (1.9 L/min)	5 gpm (19 L/min)	7 gpm (27 L/min)	12 gpm (46 L/min)	18 gpm (68 L/min)	21 gpm (80 L/min)	23 gpm (87 L/min)	27 gpm (102 L/min)
7-400BW	0.5 gpm (1.9 L/min)	9 gpm (34 L/min)	18 gpm (68 L/min)	27 gpm (102 L/min)	37 gpm (140 L/min)	41 gpm (155 L/min)	44 gpm (167 L/min)	53 gpm (201 L/min)
7-500BW	0.5 gpm (1.9 L/min)	13 gpm (49 L/min)	22 gpm (83 L/min)	38 gpm (144 L/min)	50 gpm (190 L/min)	55 gpm (209 L/min)	59 gpm (224 L/min)	70 gpm (265 L/min)
7-700BW	0.5 gpm (1.9 L/min)	13 gpm (49 L/min)	25 gpm (95 L/min)	43 gpm (163 L/min)	57 gpm (216 L/min)	62 gpm (235 L/min)	66 gpm (250 L/min)	77 gpm (292 L/min)

*Minimum flow rate when valve is installed at or near the hot water source with recirculated tempered water and continuously operating circulating pump.