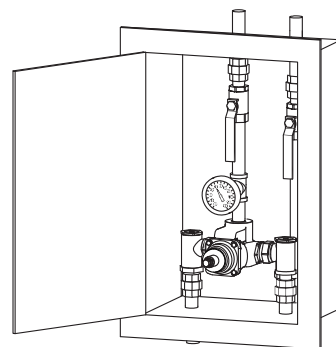


Location:

SYMMONS® TempControl®

Thermostatic Mixing Valve, Cabinet & Piping with Cold Water By-pass, BW Series

Specification Submittal



Feature Highlights

- **TempControl thermostatic controller**
 - ▷ Check stops
 - ▷ Removable/replaceable cartridge
 - ▷ Stainless steel piston
 - ▷ Thermal motor with Turbulator™
- Volume control shut-off valve
- Bimetal dial thermometer
 - ▷ Range 20°-240°F (-7°- 116°C)
 - ▷ 3 inch (76 mm) face
- Cold water by-pass valve
- Bottom supplies
- Top Outlet
- Cabinet with hinged left hand door & cylinder lock
 - ▷ Body, 18 gauge (1.2 mm)
 - ▷ Door, 13 gauge (2.4 mm)
 - ▷ Fully recessed (standard)
 - ▷ White finish (standard)
- Brass pipes, fittings and unions to cabinet limits
- Interior parts in standard rough bronze finish
- **TempControl valves are certified to:**
 - ▷ ASME A112.18.1/CSA B125.1
 - ▷ CSA B125.3
 - ▷ ASSE 1017
 - ▷ CA 116875 (AB 1953)
 - ▷ NSF 372
 - ▷ US S.3874

Model Numbers

Models	----- Pipe sizes -----		
	Inlets	Outlets	Bypass
<input type="checkbox"/> 7-900BW*	1 1/2" (38mm)	1 1/2" (38mm)	1 1/2" (38mm)
<input type="checkbox"/> 7-1000BW*	1 1/2" (38mm)	2" (51mm)	2" (51mm)

*The 7 Series model numbers above replace the 6 Series.

General Options / Modifications

Append appropriate -suffix to model number.

- V Vacuum breaker (not shown)

Cabinet Modifications only

Append appropriate -suffix to model number.

- M Surface mounted cabinet
- S Semi-recessed cabinet with 4 inch return flange

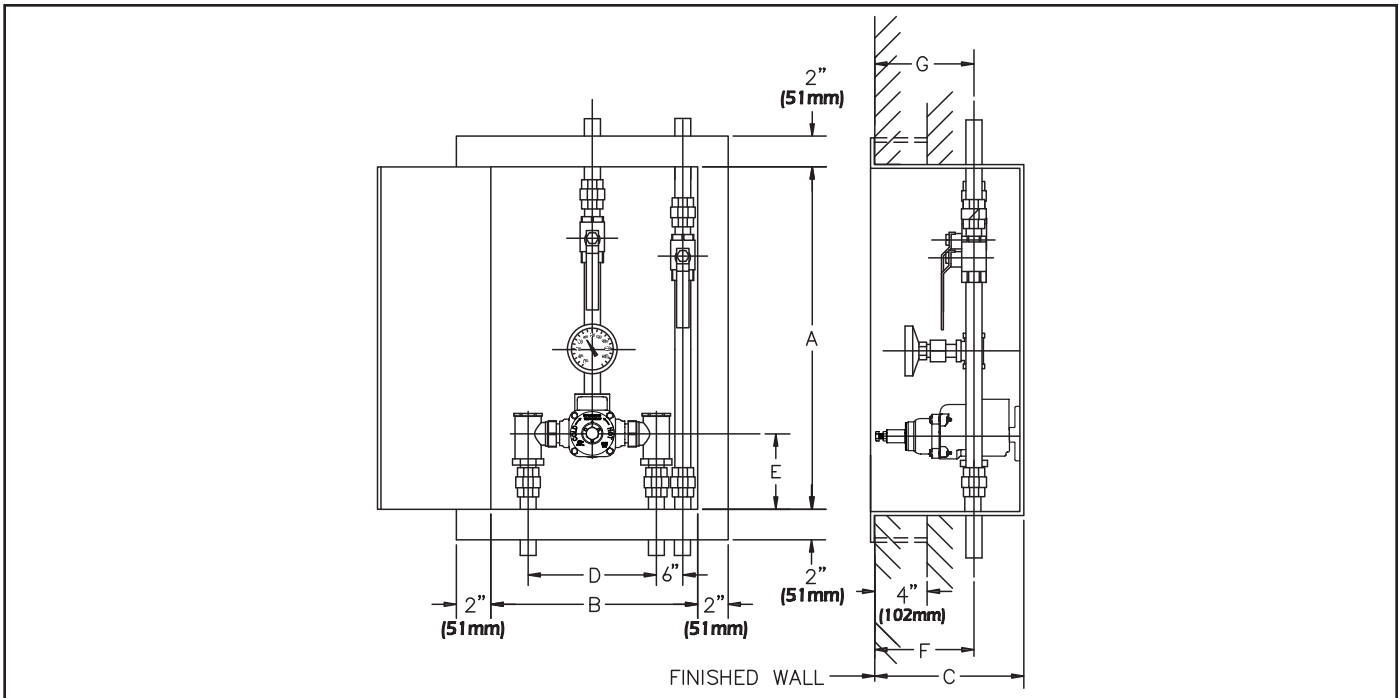
Finish Options / Modifications

Append appropriate -suffix to model number.

- NI Rough nickel finish
- T Stainless steel finish (cabinet only)
- P Valves and piping with a polished chrome highlight finish
 - White finish (standard cabinet finish)

Warranty

- 5 years - for commercial installations



Physical Dimensions

Model No.	A	B	C	D	E	F	G
7-900BW	27" (686mm)	26" (660mm)	14 5/8" (371mm)	12" (305mm)	3 1/2" (89mm)	11 3/4" (298mm)	11 3/4" (298mm)
7-1000BW	27" (686mm)	26" (660mm)	14 5/8" (371mm)	12" (305mm)	3 1/2" (89mm)	11 3/4" (298mm)	11 3/4" (298mm)

Note: Dimension "C" references depth of hole required for recessed cabinet installation.

Flow Rate - gpm (L/min)

Valve Model	Min. Flow Rate*	Min. Flow Rate	Pressure Differential - psi (kPa)					
			5 psi (34 kPa)	10 psi (69 kPa)	20 psi (138 kPa)	25 psi (172 kPa)	30 psi (207 kPa)	45 psi (310 kPa)
7-900BW	0.5 gpm (1.9 L/min)	13 gpm (49 L/min)	30 gpm (114 L/min)	55 gpm (209 L/min)	76 gpm (288 L/min)	84 gpm (318 L/min)	89 gpm (337 L/min)	104 gpm (394 L/min)
7-1000BW	0.5 gpm (1.9 L/min)	13 gpm (49 L/min)	38 gpm (144 L/min)	67 gpm (254 L/min)	100 gpm (379 L/min)	111 gpm (421 L/min)	120 gpm (455 L/min)	140 gpm (531 L/min)

*Minimum flow rate when valve is installed at or near the hot water source with recirculated tempered water and continuously operating circulating pump.