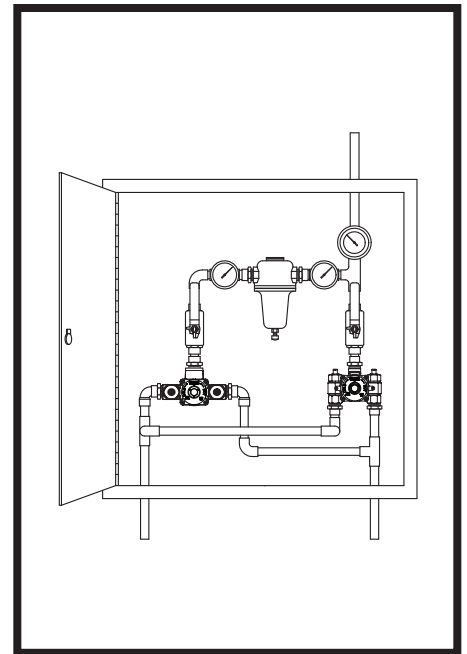


TEMPCONTROL® Hi-Low Thermostatic Mixing Valve and Piping System in Cabinet

Consists of two (2) thermostatic controllers with check stops, removable cartridge with stainless steel piston and thermal motor and Turbulator™, inlet manifold piping, pressure reducing valve (PRV), two (2) pressure gauges, two (2) ball valves, bi-metal dial thermometer 3" (76mm) face, range 20°–240°F (-7°–116°C), wall bracket, connecting piping and fittings to cabinet limits. Standard rough bronze and copper finish. Bottom supplies and top outlet. Cabinet to be 16 gauge (1.6mm) body, 12 gauge (2.7mm) left hinged door (or double doors on larger systems) with cylinder lock and key. Standard cabinet fully recessed steel, with white finish. Factory assembled and tested.



**SYMMONS PRODUCTS MEET
ASME A112.18.1/CSA B125.1
CSA B125.3
ASSE 1017
NSF/ANSI 61.9, NSF/ANSI 372**

Model No.	Inlets	Outlet	Overall Cabinet Dimensions		
			Width	Height	Depth
<input type="checkbox"/> 7-200B-102-PRV	3/4" (19mm)	3/4" (19mm)	34" (864mm)	31" (787mm)	13 1/8" (333mm)
<input type="checkbox"/> 7-400B-102-PRV	3/4" (19mm)	1" (25mm)	34" (864mm)	31" (787mm)	13"
<input type="checkbox"/> 7-500B-102-PRV	1" (25mm)	1 1/4" (32mm)	41 1/2" (1054mm)	36" (914mm)	13" (330mm)
<input type="checkbox"/> 7-700B-102-PRV	1 1/4" (32mm)	1 1/2" (38mm)	41 1/2" (1054mm)	36" (914mm)	14" (356mm)
<input type="checkbox"/> 7-900B-102-PRV	1 1/2" (38mm)	1 1/2" (38mm)	49 1/2" (1257mm)	43" (1092mm)	14" (356mm)
<input type="checkbox"/> 7-900B-200-PRV	1 1/2" (38mm)	1 1/2" (38mm)	49 1/2" (1257mm)	43" (1092mm)	14" (356mm)
<input type="checkbox"/> 7-1000B-102-PRV	1 1/2" (38mm)	2" (51mm)	49 1/2" (1257mm)	43" (1092mm)	14 1/2" (368mm)
<input type="checkbox"/> 7-1000B-200-PRV	1 1/2" (38mm)	2" (51mm)	49 1/2" (1257mm)	43" (1092mm)	14 3/4" (375mm)

*The 7 Series model numbers above replace the 6 Series.

Modifications:

- Suffix M:** Surface mounted cabinet
- Suffix S:** Semi-recessed cabinet has 4" return flange
- Suffix T:** Stainless steel cabinet
- Suffix V:** Vacuum breaker
- Suffix STN/POL:** Satin spray with polished chrome finish
- Suffix STN:** Satin spray finish

Job/Location

.....

Engineer

.....

Contractor

.....

For ADA compliance (Americans with Disabilities Act) consult ADAAG or your state regulations for proper product choice and mounting locations.

Flow Rate - gpm (L/min)								
Valve Model	Min. Flow Rate*	Min. Flow Rate (per ASSE 1017)	Pressure Differential - psi (kPa)					
			5 psi (34 kPa)	10 psi (69 kPa)	20 psi (138 kPa)	25 psi (172 kPa)	30 psi (207 kPa)	45 psi (310 kPa)
7-102	0.5 gpm (1.9 L/min)	0.5 gpm (1.9 L/min)	1 gpm (4 L/min)	3 gpm (11 L/min)	6 gpm (23 L/min)	7 gpm (27 L/min)	8 gpm (30 L/min)	11 gpm (42 L/min)
7-200	0.5 gpm (1.9 L/min)	5 gpm (19 L/min)	7 gpm (27 L/min)	12 gpm (46 L/min)	18 gpm (68 L/min)	21 gpm (80 L/min)	23 gpm (87 L/min)	27 gpm (102 L/min)
7-400	0.5 gpm (1.9 L/min)	9 gpm (34 L/min)	18 gpm (68 L/min)	27 gpm (102 L/min)	37 gpm (140 L/min)	41 gpm (155 L/min)	44 gpm (167 L/min)	53 gpm (201 L/min)
7-500	0.5 gpm (1.9 L/min)	13 gpm (49 L/min)	22 gpm (83 L/min)	38 gpm (144 L/min)	50 gpm (190 L/min)	55 gpm (209 L/min)	59 gpm (224 L/min)	70 gpm (265 L/min)
7-700	0.5 gpm (1.9 L/min)	13 gpm (49 L/min)	25 gpm (95 L/min)	43 gpm (163 L/min)	57 gpm (216 L/min)	62 gpm (235 L/min)	66 gpm (250 L/min)	77 gpm (292 L/min)
7-900	0.5 gpm (1.9 L/min)	13 gpm (49 L/min)	30 gpm (114 L/min)	55 gpm (209 L/min)	76 gpm (288 L/min)	84 gpm (318 L/min)	89 gpm (337 L/min)	104 gpm (394 L/min)
7-1000	0.5 gpm (1.9 L/min)	13 gpm (49 L/min)	38 gpm (144 L/min)	67 gpm (254 L/min)	100 gpm (379 L/min)	111 gpm (421 L/min)	120 gpm (455 L/min)	140 gpm (531 L/min)