







Location:

# SYMMONS® Identity™

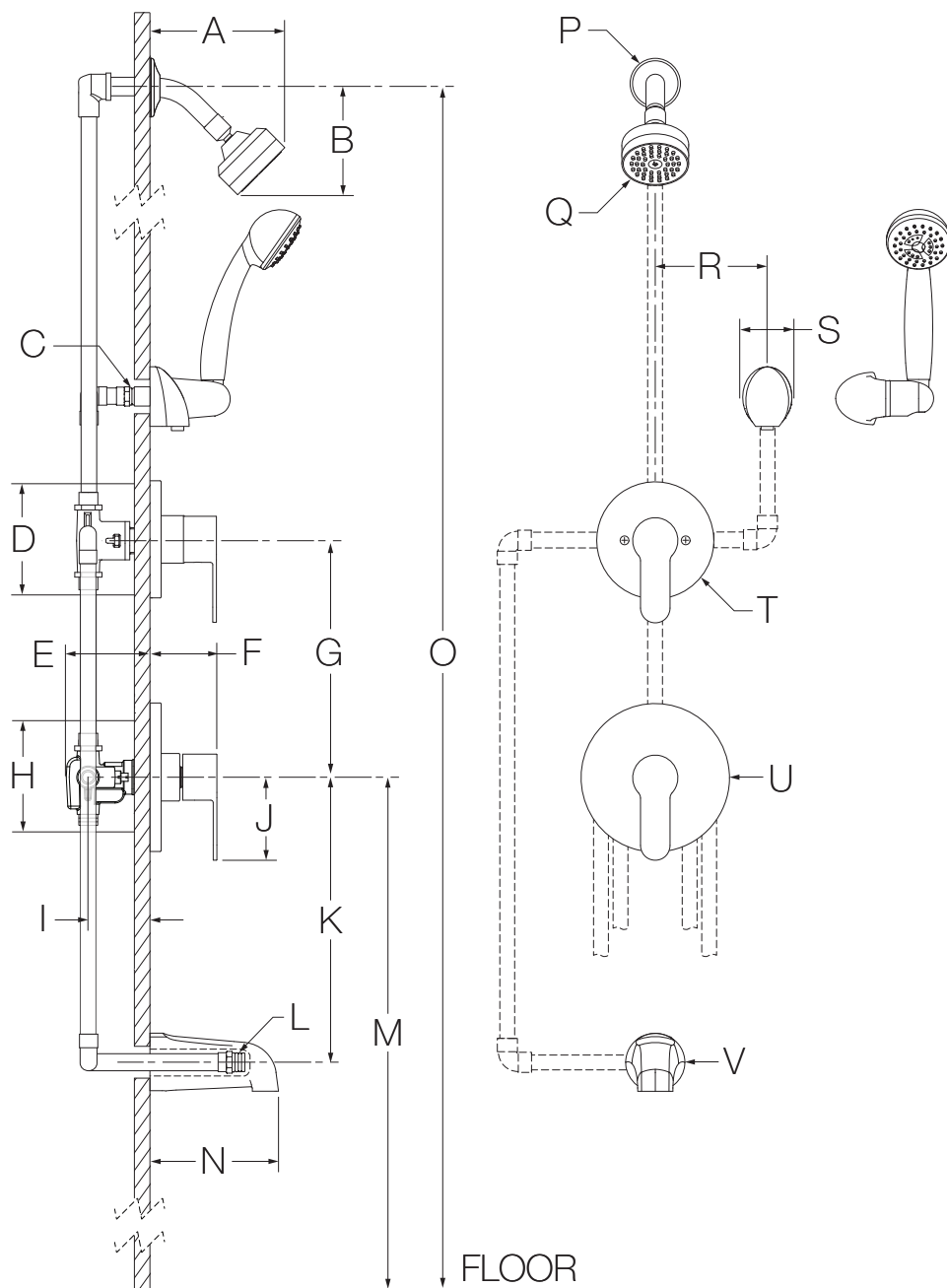
the smart choice™

6706-TRM, 6706TRMTC  
Tub/Shower/Hand Shower Trim  
Specification Submittal



Feature Highlights	Options/Modifications
<ul style="list-style-type: none"> <li>Identity Tub/Shower/Hand Shower Trim</li> <li>Requires Temptrol® Pressure Balancing Tub/Shower Valve</li> <li>Requires Symmons Triple Outlet Diverter Valve</li> <li>Metal lever handle</li> <li>Cradle for hand shower wand</li> <li>Dual checks for backflow protection</li> <li>60" flexible metal hose</li> <li>5-1/2" non-diverter tub spout</li> <li>1 mode hand shower wand with easy to clean nozzles</li> <li>1 mode showerhead with easy to clean nozzles</li> <li>2.5 gpm (9.5 L/min) flow restrictors</li> <li>Components shall be metal and nonmetallic construction, plated in standard Polished Chrome finish</li> <li>Available with TA-10 flow control spindle and T-12A cap assembly for Temptrol valve bodies installed with Test Cap (order p/n 6706TRMTC)</li> <li>For optional in-line vacuum breaker order p/n EF-109</li> </ul>	<ul style="list-style-type: none"> <li><input type="checkbox"/> <b>-1.5</b>  1.5 gpm (5.7 L/min) flow restrictor</li> <li><input type="checkbox"/> <b>-2.0</b> 2.0 gpm (7.6 L/min) flow restrictor</li> <li><input type="checkbox"/> <b>-72</b> 72" hose in place of 60" hose</li> <li><input type="checkbox"/> <b>-143</b> 3 mode showerhead</li> <li><input type="checkbox"/> <b>-145</b> 5 mode showerhead</li> <li><input type="checkbox"/> <b>-231</b> Super showerhead</li> <li><input type="checkbox"/> <b>-ADACHS</b> ADA hand shower wand (chrome)</li> <li><input type="checkbox"/> <b>-ADAHS</b> ADA hand shower wand (white)</li> <li><input type="checkbox"/> <b>-B30</b> 30" slide bar in place of wall cradle</li> <li><input type="checkbox"/> <b>-B48</b> 48" slide bar in place of wall cradle</li> <li><input type="checkbox"/> <b>-EX</b> Exposed column/slide bar, hand shower bracket and hand shower wand (35EX)</li> <li><input type="checkbox"/> <b>-H321-V</b> 1 mode hand shower unit with slide bar</li> <li><input type="checkbox"/> <b>-H323-V</b> 3 mode hand shower unit with slide bar</li> <li><input type="checkbox"/> <b>-H323-V-48</b> 3 mode hand shower unit with 48" slide bar</li> <li><input type="checkbox"/> <b>-H3524</b> 24" decorative slide/grab bar with ADA wand</li> <li><input type="checkbox"/> <b>-H3536</b> 36" decorative slide/grab bar with ADA wand</li> <li><input type="checkbox"/> <b>-L1</b> Less showerhead</li> <li><input type="checkbox"/> <b>-L2</b> Less hand shower wand</li> <li><input type="checkbox"/> <b>-L3</b> Less showerhead &amp; hand shower wand</li> <li><input type="checkbox"/> <b>-LP</b>  Loop handle</li> <li><input type="checkbox"/> <b>-LR</b>  Lever handle</li> <li><input type="checkbox"/> <b>-QD</b> Quick-disconnect on hand shower units</li> <li><input type="checkbox"/> <b>-R</b> 60" white vinyl hose in place of 60" metal hose</li> <li><input type="checkbox"/> <b>-REB</b> Rebuild trim kit, includes TA-10 and TA-4</li> <li><input type="checkbox"/> <b>-SS</b> Slip spout on any tub/shower unit</li> <li><input type="checkbox"/> <b>-T724</b> 24" slide bar/grab bar with ADA wand</li> <li><input type="checkbox"/> <b>-T736</b> 36" slide bar/grab bar with ADA wand</li> <li><input type="checkbox"/> <b>-T748</b> 48" slide bar/grab bar with ADA wand</li> <li><input type="checkbox"/> <b>-VB</b> Elevated vacuum breaker</li> <li><input type="checkbox"/> <b>-VP</b> Vandal resistant escutcheon screws in place of standard screws</li> <li><input type="checkbox"/> <b>-STN</b> Satin Nickel finish</li> </ul> <p><b>Note:</b> Append appropriate -suffix to model number.</p>
<h3>Model Numbers</h3>	
<ul style="list-style-type: none"> <li><input type="checkbox"/> <b>6706-TRM</b> Tub/Shower/Hand Shower Trim, Temptrol Pressure Balancing Tub/Shower Valve and Symmons Triple Outlet Diverter valve ordered separately</li> <li><input type="checkbox"/> <b>6706TRMTC</b> Tub/Shower/Hand Shower Trim with TA-10 flow control spindle and T-12A cap assembly, must order Temptrol valve with Test Cap</li> </ul>	
<h3>Compliance</h3> <ul style="list-style-type: none"> <li>ASME A112.18.1/CSA B125.1</li> </ul> 	
<h3>Warranty</h3> <p><b>Limited Lifetime</b> - to the original end purchaser in consumer/residential installations.  <b>5 Years</b> - for industrial/commercial installations.  Refer to <a href="http://www.symmons.com/warranty">www.symmons.com/warranty</a> for complete warranty information.  Go to <a href="http://www.symmons.com/register">www.symmons.com/register</a> to register your Symmons product.</p>	

## Dimensions



Measurements	
A	5-7/8", 149 mm
B	4-5/8", 117 mm
C	Male 1/2" NPT fitting must be recessed 1/4" (6 mm) from finished wall
D	Diverter Valve Hole Size Min. Ø 3", 76 mm Max. Ø 3-1/4", 83 mm
E	3-1/2", 89 mm
F	2-7/8", 73 mm
G	Ref. 10", 254 mm
H	Shower Valve Hole Size Min. Ø 3", 76 mm Max. Ø 4", 102 mm
I	Rough-in 2-3/8" ± 1/2", 60 mm ± 13 mm
J	3-1/2", 89 mm
K	Ref. 12", 305 mm
L	Male 1/2-14 NPT fitting must protrude 4" (102 mm) from finished wall
M	Ref. 32", 813 mm
N	5-1/2", 140 mm
O	Ref. 77", 1956 mm
P	Ø 2-1/2", 64 mm
Q	Ø 3-1/8", 79 mm
R	6", 152 mm
S	2-1/8", 54 mm
T	Ø 5", 127 mm
U	Ø 6-3/8", 162 mm
V	Ø 2-1/2", 64 mm

### Notes:

- 1) Valve body and piping not included and shown as reference only.
- 2) Plaster shield (p/n T-176) for dry wall, plaster or other type walls 1/2" or greater.
- 3) All dimensions measured from nominal rough-in (see I as reference).
- 4) Dimensions subject to change without notice.