



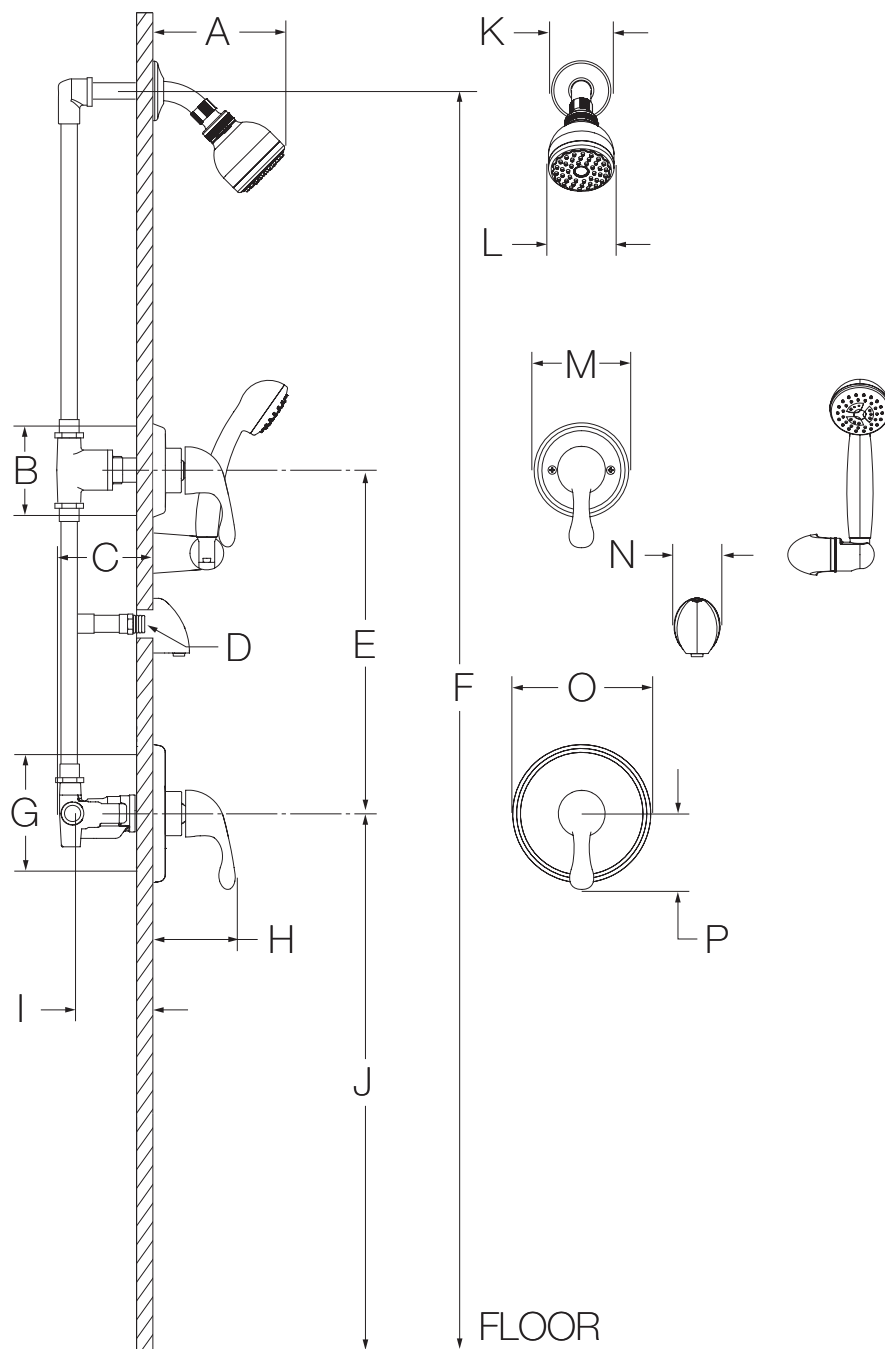


6605-TRM, 6605TRMTC  
Shower/Hand Shower Trim  
**Specification Submittal**



Feature Highlights	Options/Modifications
<ul style="list-style-type: none"> <li>• Unity Shower/Hand Shower Trim</li> <li>• Requires Temptrol® Pressure Balancing Tub/Shower Valve</li> <li>• Requires Symmons Dual Outlet Diverter Valve</li> <li>• Metal lever handle</li> <li>• Cradle for hand shower wand</li> <li>• Dual checks for backflow protection</li> <li>• 60" flexible metal hose</li> <li>• 1 mode hand shower wand with easy to clean nozzles</li> <li>• 1 mode showerhead with easy to clean nozzles</li> <li>• 2.5 gpm (9.5 L/min) flow restrictors</li> <li>• Components shall be metal and nonmetallic construction, plated in standard Polished Chrome finish</li> <li>• Available with TA-10 flow control spindle and T-12A cap assembly for Temptrol valve bodies installed with Test Cap (order p/n 6605TRMTC)</li> <li>• For optional in-line vacuum breaker order p/n EF-109</li> </ul>	<ul style="list-style-type: none"> <li><input type="checkbox"/> <b>-1.5</b>  1.5 gpm (5.7 L/min) flow restrictor</li> <li><input type="checkbox"/> <b>-2.0</b> 2.0 gpm (7.6 L/min) flow restrictor</li> <li><input type="checkbox"/> <b>-72</b> 72" hose in place of 60" hose</li> <li><input type="checkbox"/> <b>-143</b> 3 mode showerhead</li> <li><input type="checkbox"/> <b>-145</b> 5 mode showerhead</li> <li><input type="checkbox"/> <b>-231</b> Super showerhead</li> <li><input type="checkbox"/> <b>-ADACHS</b> ADA hand shower wand (chrome)</li> <li><input type="checkbox"/> <b>-ADAHS</b> ADA hand shower wand (white)</li> <li><input type="checkbox"/> <b>-B30</b> 30" slide bar in place of wall cradle</li> <li><input type="checkbox"/> <b>-B48</b> 48" slide bar in place of wall cradle</li> <li><input type="checkbox"/> <b>-EX</b> Exposed column/slide bar, hand shower bracket and hand shower wand (35EX)</li> <li><input type="checkbox"/> <b>-H321-V</b> 1 mode hand shower unit with slide bar</li> <li><input type="checkbox"/> <b>-H323-V</b> 3 mode hand shower unit with slide bar</li> <li><input type="checkbox"/> <b>-H323-V-48</b> 3 mode hand shower unit with 48" slide bar</li> <li><input type="checkbox"/> <b>-H3524</b> 24" decorative slide/grab bar with ADA wand</li> <li><input type="checkbox"/> <b>-H3536</b> 36" decorative slide/grab bar with ADA wand</li> <li><input type="checkbox"/> <b>-L1</b> Less showerhead</li> <li><input type="checkbox"/> <b>-L2</b> Less hand shower wand</li> <li><input type="checkbox"/> <b>-L3</b> Less showerhead &amp; hand shower wand</li> <li><input type="checkbox"/> <b>-L5</b> Less hand shower system (less cradle, hose, wand &amp; elbow)</li> <li><input type="checkbox"/> <b>-LP</b>  Loop handle</li> <li><input type="checkbox"/> <b>-QD</b>  Quick-disconnect on hand shower units</li> <li><input type="checkbox"/> <b>-R</b> 60" white vinyl hose in place of 60" metal hose</li> <li><input type="checkbox"/> <b>-REB</b> Rebuild trim kit, includes TA-10 and TA-4</li> <li><input type="checkbox"/> <b>-T724</b> 24" slide bar/grab bar with ADA wand</li> <li><input type="checkbox"/> <b>-T736</b> 36" slide bar/grab bar with ADA wand</li> <li><input type="checkbox"/> <b>-T748</b> 48" slide bar/grab bar with ADA wand</li> <li><input type="checkbox"/> <b>-VB</b> Elevated vacuum breaker</li> <li><input type="checkbox"/> <b>-VP</b> Vandal resistant escutcheon screws in place of standard screws</li> <li><input type="checkbox"/> <b>-STN</b> Satin Nickel finish</li> </ul> <p><b>Note:</b> Append appropriate -suffix to model number.</p>
<p><b>Model Numbers</b></p> <ul style="list-style-type: none"> <li><input type="checkbox"/> <b>6605-TRM</b> Shower/Hand Shower Trim, Temptrol Pressure Balancing Tub/Shower Valve and Symmons Dual Outlet Diverter valve ordered separately</li> <li><input type="checkbox"/> <b>6605TRMTC</b> Shower/Hand Shower Trim with TA-10 flow control spindle and T-12A cap assembly, must order Temptrol valve with Test Cap</li> </ul>	
<p><b>Compliance</b></p> <ul style="list-style-type: none"> <li>• ASME A112.18.1/CSA B125.1</li> </ul> 	
<p><b>Warranty</b></p> <p><b>Limited Lifetime</b> - to the original end purchaser in consumer/residential installations.  <b>5 Years</b> - for industrial/commercial installations.  Refer to <a href="http://www.symmons.com/warranty">www.symmons.com/warranty</a> for complete warranty information.  Go to <a href="http://www.symmons.com/register">www.symmons.com/register</a> to register your Symmons product.</p>	

## Dimensions



Measurements	
A	6-3/8", 162 mm
B	Diverter Valve Hole Size Min. Ø 3", 76 mm Max. Ø 3-1/4", 83 mm
C	3-1/2", 89 mm
D	Male 1/2" NPT fitting must be recessed 1/4" (6 mm) from finished wall
E	Ref. 10", 254 mm
F	Ref. 77", 1956 mm
G	Shower Valve Hole Size Min. Ø 3", 76 mm Max. Ø 4", 102 mm
H	3-3/4", 95 mm
I	Rough-in 2-3/8" ± 1/2", 60 mm ± 13 mm
J	Ref. 42", 1067 mm
K	Ø 2-1/2", 64 mm
L	Ø 2-3/4", 70 mm
M	Ø 4-1/4", 108 mm
N	2-1/8", 54 mm
O	Ø 6-3/8", 162 mm
P	3-1/2", 89 mm

### Notes:

- 1) Valve body and piping not included and shown as reference only.
- 2) Plaster shield (p/n T-176) for dry wall, plaster or other type walls 1/2" or greater.
- 3) All dimensions measured from nominal rough-in (see I as reference).
- 4) Dimensions subject to change without notice.