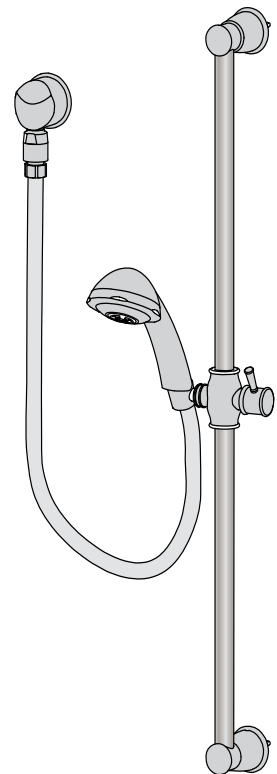



Location:



Wall Mounted Slide Bar & Hand Shower, 552HSB Specification Submittal



Feature Highlights

- Wall mounted 30 inch slide bar, lever handle adjustment with three dimensional positioning of hand shower cradle
- Slide bar is all metal commercial, institutional and hospitality grade
- Hand shower includes wand, double check valve, 90 degree wall mounted water supply elbow and standard 5 foot flexible metal hose
- Hand shower wand, #552W
- Standard flow rate is 2.5 gpm (9.5 L/min)
Optional lower flow rate restrictor available 
- WaterSense certified when optional 1.5 gpm or 2.0 gpm flow rate restrictor is selected in place of standard 2.5 gpm flow rate
- Modern stainless steel design

Model Numbers

- 552HSB
Hand shower with wall mounted 30 inch slide bar, flexible hose with in-line vacuum breaker and water supply elbow,
- 552HS
Hand shower with wall mounted cradle, flexible hose with in-line vacuum breaker and water supply elbow
(slide bar not included)
- PWB
Wall mounted 30 inch slide bar only
(Hand shower wand, wall mounted elbow and flexible metal hose are not included)



Finish Options / Modifications

Append appropriate -suffix to model number

- STN Satin nickel
- SBZ Seasoned Bronze
- Polished chrome (standard finish)

Options / Modifications

Append appropriate -suffix to model number

-  -2.0 2.0 gpm (7.6 L/min) flow rate restrictor
-  -1.5 1.5 gpm (5.7 L/min) flow rate restrictor
- L/HS Hand shower wand not included

Standards / Certifications

- ASME A112.18.1-2005
Certified hand shower wand with optional WaterSense certified flow rate restrictor
- ASSE 1014-2005
- ASME A112.18.3-2002

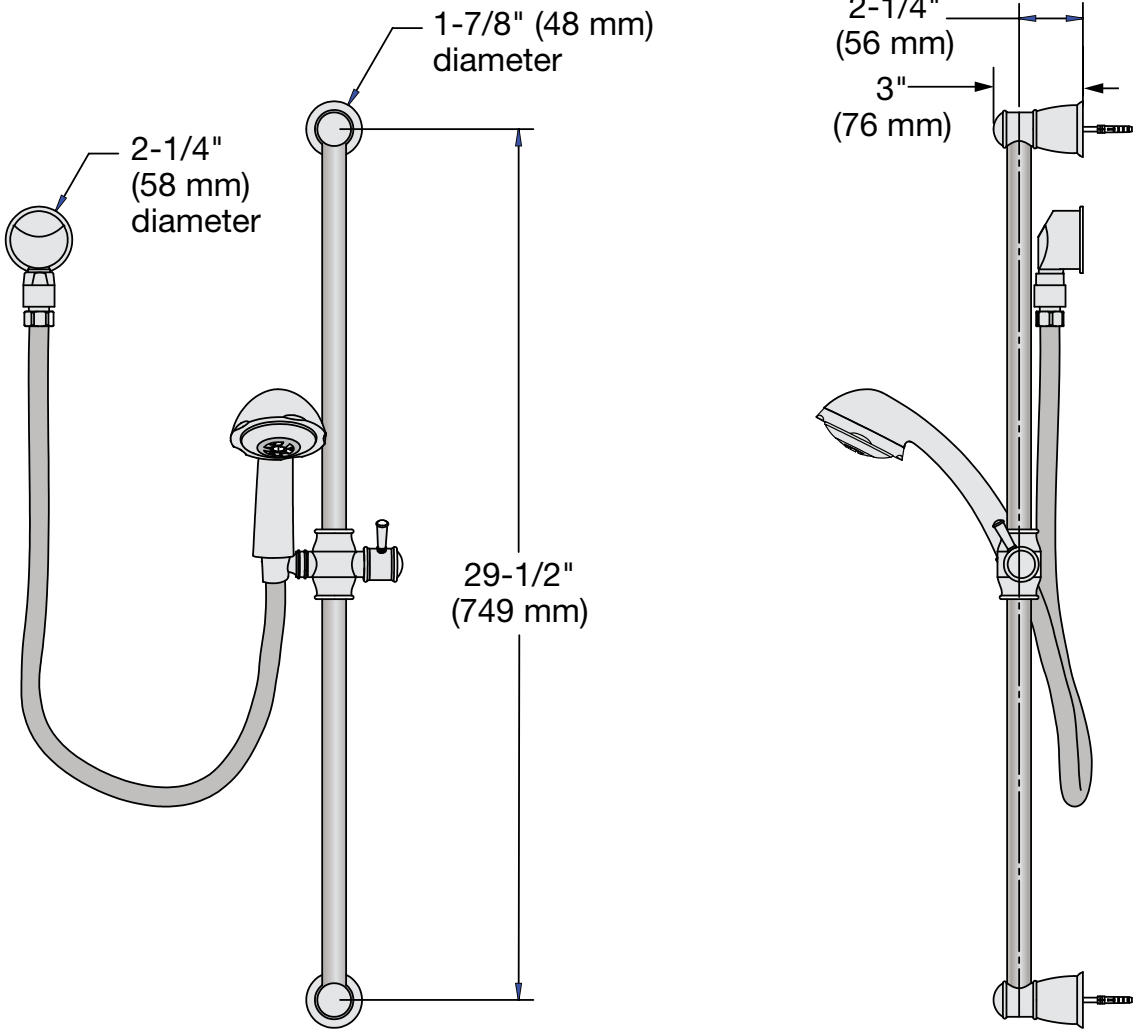


Warranty

- Limited Lifetime - to the original end purchaser in consumer installations
- 5 years - for commercial installations

Reset Form

Dimensions Wall Mounted Slide Bar & Hand Shower, 552HSB



Note: Dimensions subject to change without notice.