



Location:

SYMMONS® Museo®

the smart choice™

5302-TRM, 5302TRMTC
Tub/Shower Trim
Specification Submittal



Feature Highlights

- Museo Tub/Shower Trim
- Requires Temptrol® Pressure Balancing Tub/Shower Valve
- Metal lever handle
- 7-1/8" diverter tub spout
- 1 mode showerhead
- 2.5 gpm (9.5 L/min) flow restrictor
- Components shall be metal and nonmetallic construction, plated in standard Polished Chrome finish
- Available with TA-10 flow control spindle and T-12A cap assembly for Temptrol valve bodies installed with Test Cap (order p/n 5302TRMTC)

Model Numbers

- 5302-TRM**
Tub/Shower Trim, Temptrol Pressure Balancing Tub/Shower Valve ordered separately
- 5302TRMTC**
Tub/Shower Trim with TA-10 flow control spindle and T-12A cap assembly, must order Temptrol valve with Test Cap

Compliance



- ASME A112.18.1/CSA B125.1



Warranty

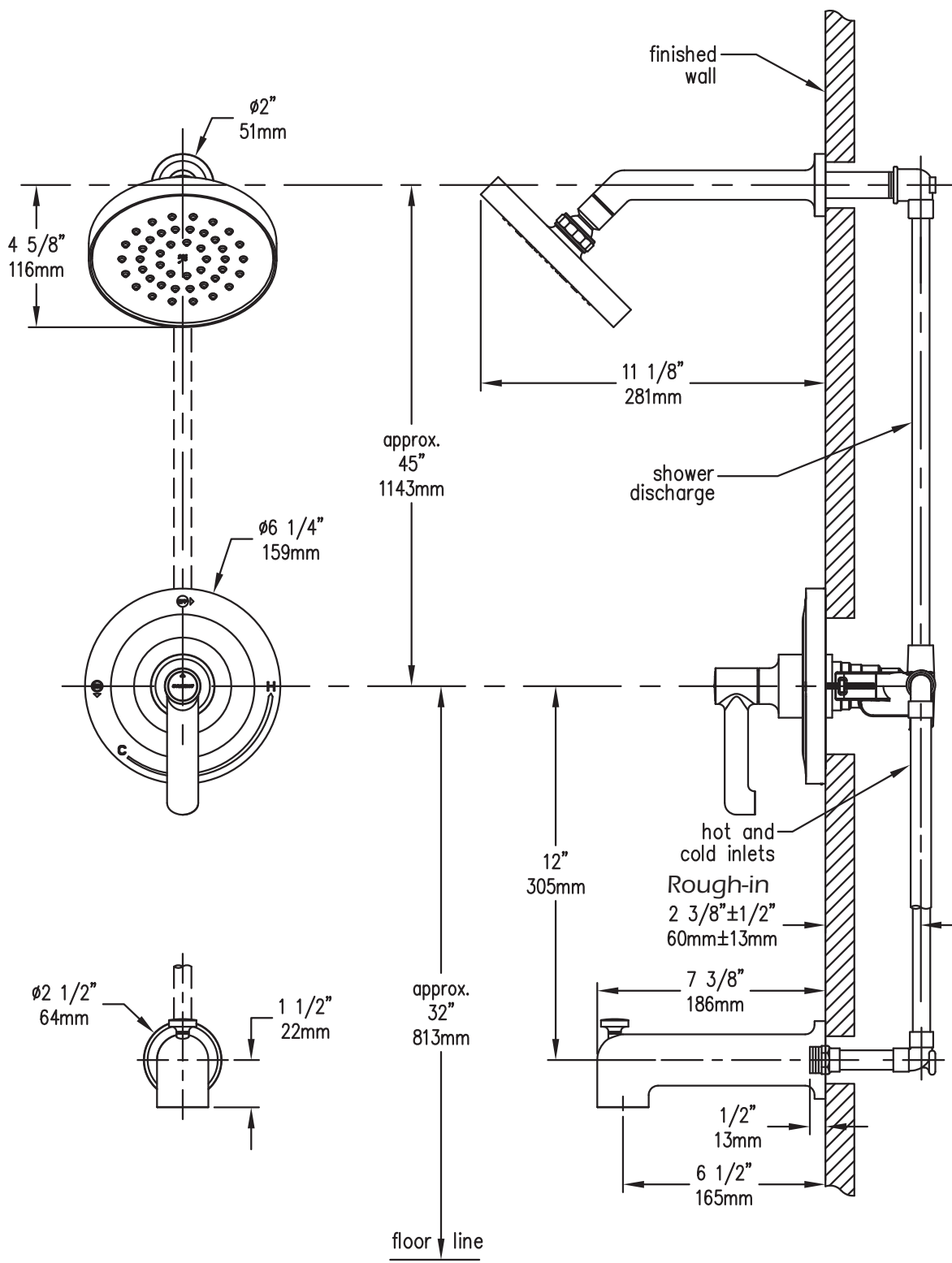
Limited Lifetime - to the original end purchaser in consumer/residential installations.
5 Years - for industrial/commercial installations.
 Refer to www.symmons.com/warranty for complete warranty information.
 Go to www.symmons.com/register to register your Symmons product.

Options/Modifications

- 1.5**  1.5 gpm (5.7 L/min) flow restrictor
- 2.0** 2.0 gpm (7.6 L/min) flow restrictor
- L1** Less showerhead
- LP**  Loop handle
- REB** Rebuild trim kit, includes TA-10 and TA-4
- VP** Vandal resistant escutcheon screws in place of standard screws
- BLK** Polished Graphite finish
- STN** Satin Nickel finish

Note: Append appropriate -suffix to model number.

Dimensions



Notes:

- 1) Valve body and piping not included and shown as reference only.
- 2) Plaster shield (p/n T-176) for dry wall, plaster or other type walls $1/2''$ or greater.
- 3) All dimensions measured from nominal rough-in.
- 4) Dimensions subject to change without notice.