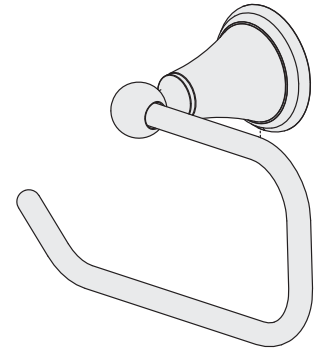


Location:



# Toilet Paper Holder 463TP

## Specification Submittal



### Model Numbers

- 463TP Toilet Paper Holder

### Feature Highlights

- Metal construction,
- Standard finish is polished chrome

### Finish Options / Modifications

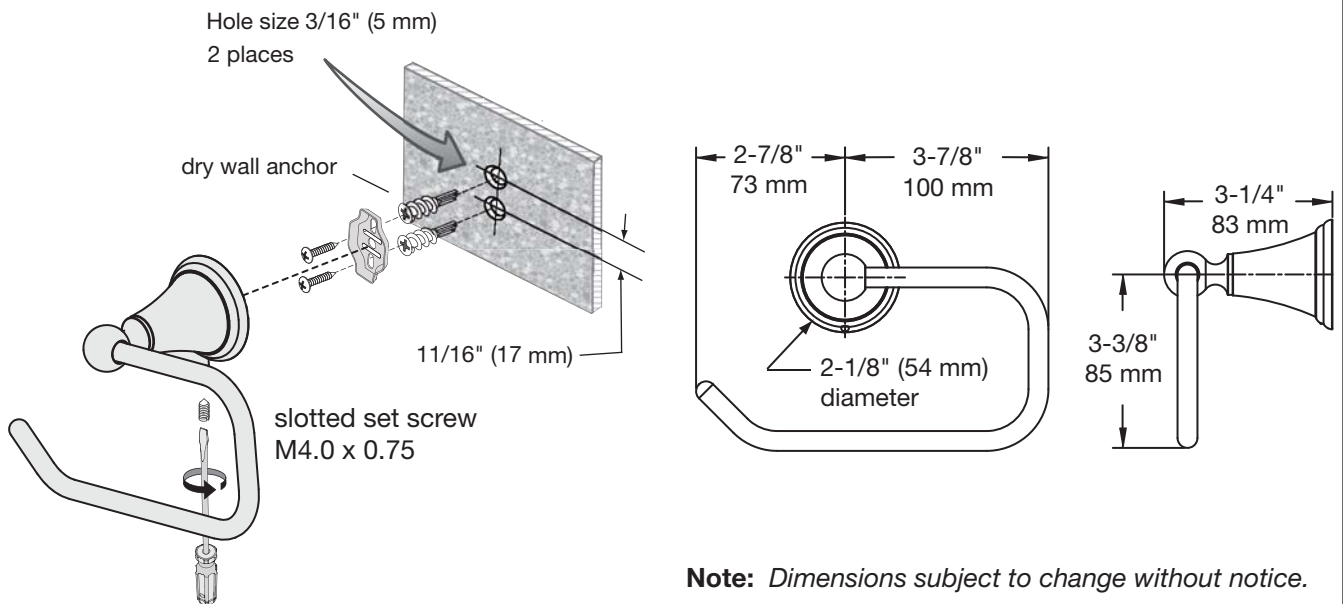
*Append appropriate -suffix to model number.*

- STN Satin nickel finish
- Polished chrome finish (standard)

### Warranty

- Limited Lifetime - to the original end purchaser in residential/consumer installations.
- 5 years - for commercial installations

### Dimensions *Lucetta Toilet Paper Holder, 463TP*



Symmons Industries, Inc. ■ 31 Brooks Drive ■ Braintree, MA 02184  
(800) 796-6667, (781) 848-2250 ■ Fax (800) 961-9621, (781) 664-1300  
Website: [www.symmons.com](http://www.symmons.com) ■ Email: [customerservice@symmons.com](mailto:customerservice@symmons.com)

©2008 Symmons Industries, Inc. Printed in U.S.A. ■ 043009

