

Location:



Robe Hook 463RH

Specification Submittal



Model Numbers

- 463RH Robe hook

Feature Highlights

- Metal construction
- Standard finish is polished chrome

Finish Options

Append appropriate -suffix to model number.

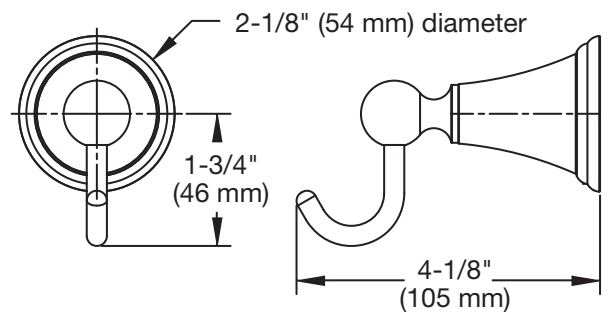
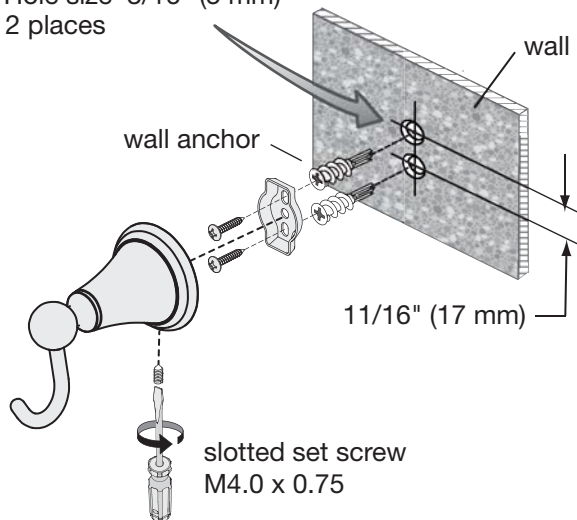
- STN Satin nickel finish
- Polished chrome finish (standard)

Warranty

- Limited Lifetime - to the original end purchaser in residential/consumer installations.
- 5 years - for commercial installations

Dimensions *Lucetta Robe Hook, 463RH*

Hole size 3/16" (5 mm)
2 places



Note: Dimensions subject to change without notice.

Symmons Industries, Inc. ■ 31 Brooks Drive ■ Braintree, MA 02184
(800) 796-6667, (781) 848-2250 ■ Fax (800) 961-9621, (781) 664-1300
Website: www.symmons.com ■ Email: customerservice@symmons.com

©2008 Symmons Industries, Inc. Printed in U.S.A. ■ 043009

