





Location:

# SYMMONS<sup>®</sup> Visu-Temp<sup>®</sup>

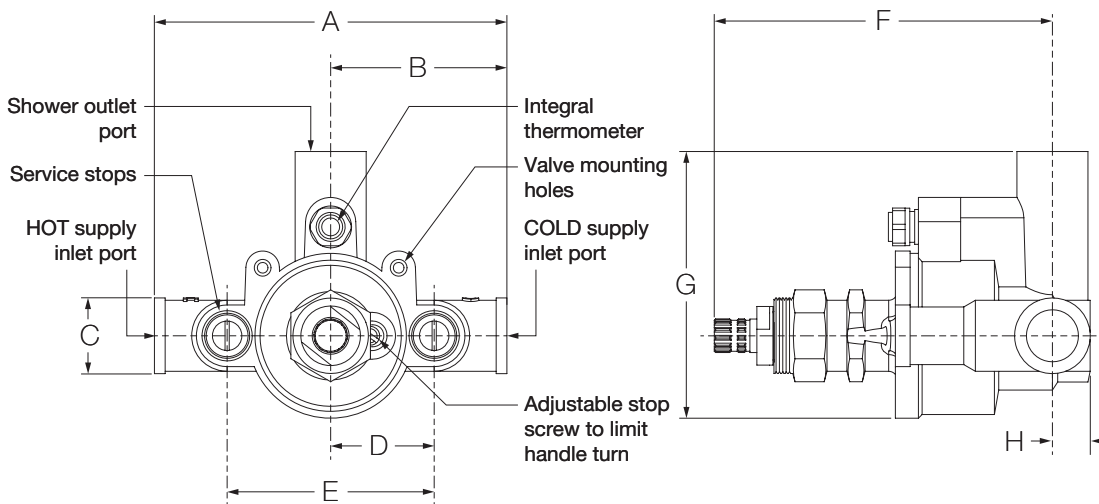
the smart choice<sup>™</sup>

## 4-500VT-X-BODY Pressure Balancing Mixing Valve Specification Submittal



Specification	Modifications
<p>Visu-Temp Pressure Balancing mixing valve with integral thermometer includes adjustable stop screw to limit handle turn, female IPS connections and built-in service stops. Valve body constructed from metal materials.</p> 	<p><input type="checkbox"/> <b>-X-3/4"</b> 3/4" valve to increase flow approximately 20%</p> <p><input type="checkbox"/> <b>-X-CHKS</b> Integral check stops - for use in installations where a positive shut-off device is used downstream of mixing valve</p> <p><b>Note:</b> Append appropriate -suffix to model number.</p>
Model Numbers	Warranty
<p><input type="checkbox"/> <b>4-500VT-X-BODY</b> Visu-Temp Pressure Balancing mixing valve with integral thermometer</p>	<p><b>Limited Lifetime</b> - to the original end purchaser in consumer/residential installations. <b>5 Years</b> - for industrial/commercial installations. Refer to <a href="http://www.symmons.com/warranty">www.symmons.com/warranty</a> for complete warranty information.</p>
Compliance	
<p>-ASME A112.18.1/CSA B125.1 -ASSE 1016</p> 	

### Dimensions



Measurements	
A	5-1/4", 133 mm
B	2-5/8", 67 mm
C	(2x) Ø 1-1/8", 29 mm
D	1-9/16", 40 mm
E	3-1/8", 79 mm
F	5-1/16", 128 mm
G	4", 101 mm
H	9/16", 14 mm

- Notes:** 1) All ports are 1/2" NPT  
2) Dimensions subject to change without notice.