





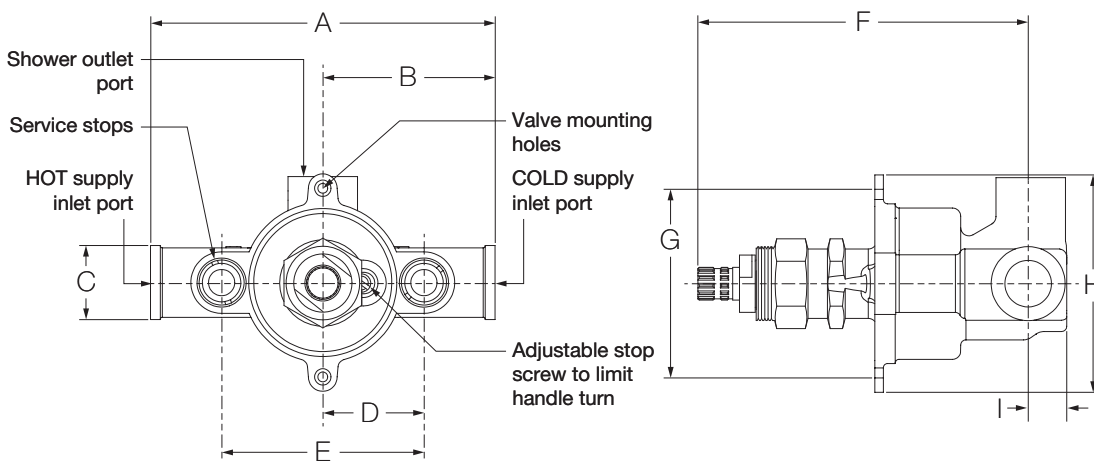
Location:



4-500-BODY, 4-500-X-BODY
Heavy Duty Pressure Balancing Shower Valve
Specification Submittal

Specification	Modifications
Safetymix heavy duty Pressure Balancing shower valve with adjustable stop screw to limit handle turn and female IPS with sweat inlet/outlet connections. Valve body constructed from metal materials.	<ul style="list-style-type: none"> <input type="checkbox"/> -X <i>Integral service stops - allows water shut off at valve for service. Recommended for use on all multiple commercial installations</i> <input type="checkbox"/> -X-3/4" <i>3/4" valve to increase flow approx. 20%</i> <input type="checkbox"/> -X-CHKS <i>Integral check stops - for use in installations where a positive shut-off device is used downstream of mixing valve</i> <input type="checkbox"/> -X-REV <i>Reverse coring, hot on right, cold on left, for back to back installations with integral stops only</i> <p>Note: Append appropriate -suffix to model number.</p>
Model Numbers	
<ul style="list-style-type: none"> <input type="checkbox"/> 4-500-BODY <i>Heavy duty Pressure Balancing shower valve</i> <input type="checkbox"/> 4-500-X-BODY <i>Heavy duty Pressure Balancing shower valve with integral service stops for water shut off at valve for service</i> 	
Compliance	Warranty
-ASME A112.18.1/CSA B125.1 -ASSE 1016  	<p>Limited Lifetime - to the original end purchaser in consumer/residential installations. 5 Years - for industrial/commercial installations. Refer to www.symmons.com/warranty for complete warranty information.</p>

Dimensions



Measurements	
A	5-1/4", 133 mm
B	2-5/8", 67 mm
C	(2x) Ø 1/2", 13 mm
D	1-9/16", 40 mm
E	3-1/8", 79 mm
F	5-1/16", 129 mm
G	2-7/8", 73 mm
H	3-5/16", 84 mm
I	9/16", 14 mm

Note: Dimensions subject to change without notice.