

Location:



Institutional Type Showerhead, 4-385

Specification Submittal



Model Numbers

- 4-385 Showerhead with mounting bracket and fasteners

Options / Modifications

Append appropriate -suffix to model number

- 2.0 2.0 (7.6 L/min) flow rate restrictor
- M Male thread connection (1/2" MIPs)
- A Anchor plate for use with ceramic tile
- B Back plate for use with extra thick wall

Product Highlights

- Single mode showerhead
- Wood screws and vandal resistant screws supplied
- Standard flow rate is 2.5 gpm (9.5 L/min)
- Polished Chrome finish

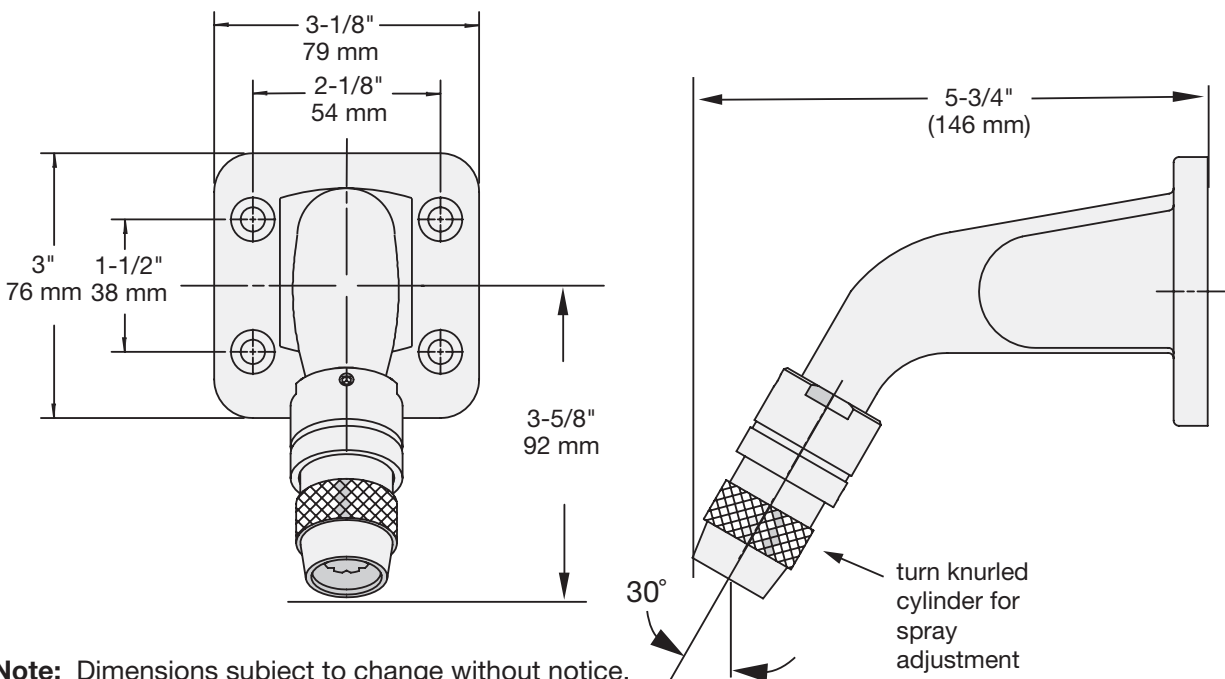
Warranty

- **Limited Lifetime** - to the original end purchaser in residential / consumer installations.
- **5 years** - for commercial installations

Standards / Certifications

ASME A112.18.1/CSA B125.1 (2.5 gpm only)
Buy American Act compliant

Dimensions Fre-flo Institutional Showerhead, 4-385



Note: Dimensions subject to change without notice.