




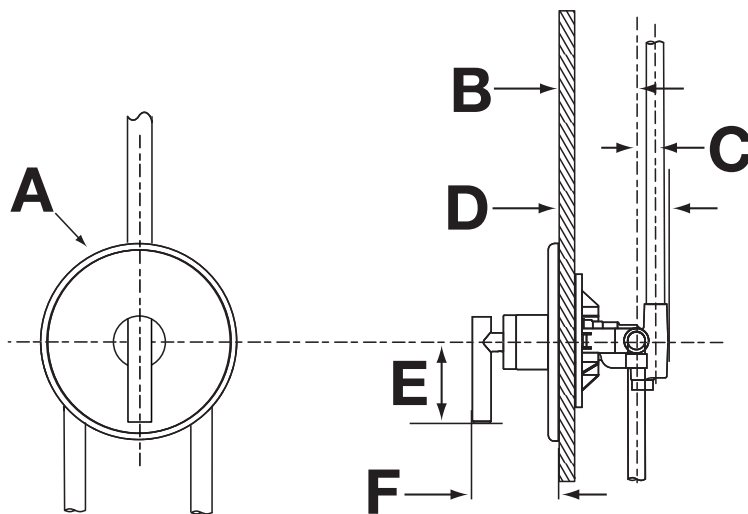
Location:



3500-CYL-REB-TRM
Dia Rebuild Trim Kit
Specification Submittal

Model Number	Specification
<input type="checkbox"/> 3500-CYL-REB-TRM Dia Tub/Shower Rebuild Trim Kit with TA-10 Flow Control Spindle and TA-4 Hot/Cold Seats.	Dia tub/shower rebuild trim kit fits any Temptrol valve. Includes TA-10 flow control spindle, and TA-4 hot/cold valve seats. Rebuild trim kit components are constructed of metal and plastic materials.
Modifications	Warranty
<input type="checkbox"/> -STN Satin nickel finish Note: Append appropriate -suffix to model number.	Limited Lifetime - to the original end purchaser in consumer installations. 5 Years - for commercial installations. Refer to www.symmons.com/warranty for complete warranty information.
Compliance -ASME A112.18.1/CSA B125.1 	

Dimensions



Measurements	
A	7 3/4", 197 mm
B	Rough-in 2 3/8" +/- 1/2" 60 mm +/- 13 mm
C	5/8", 16 mm
D	3 1/2", 89 mm
E	3", 76 mm
F	2 3/8", 60 mm

Notes:

- 1) All dimensions measured from nominal rough-in (see B for reference).
- 2) Dimensions and components behind the wall are not included and are for reference only.
- 3) Dimensions are subject to change without notice.