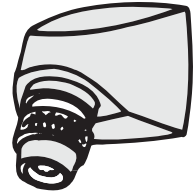


Location:

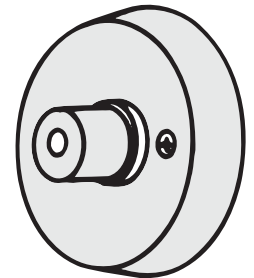


## Showeroff Shower System, 3-310 Specification Submittal



### Model Numbers

- 3-310 Showeroff Shower System that includes 4-427 valve and 4-295B showerhead



### Options / Modifications

*Append appropriate -suffix to model number.*

- 2.0 2.0 (7.6 L/min) Flow rate restrictor
- 1.5 1.5 (5.7 L/min) Flow rate restrictor
- A Anchor plate for use with ceramic tile

### Product Highlights

- 4-427 Showeroff shower limiter valve with 1/2 inch IPS back connection and integral stop for servicing.
- 4-295B Fre-flo institutional showerhead with adjustable spray and nozzle-type design for maximum protection against hard water mineral build-up
- Vandal resistant recessed hex socket type showerhead and valve mounting fasteners
- Back plate and thru-bolts for extra thick walls
- Standard Polished Chrome finish

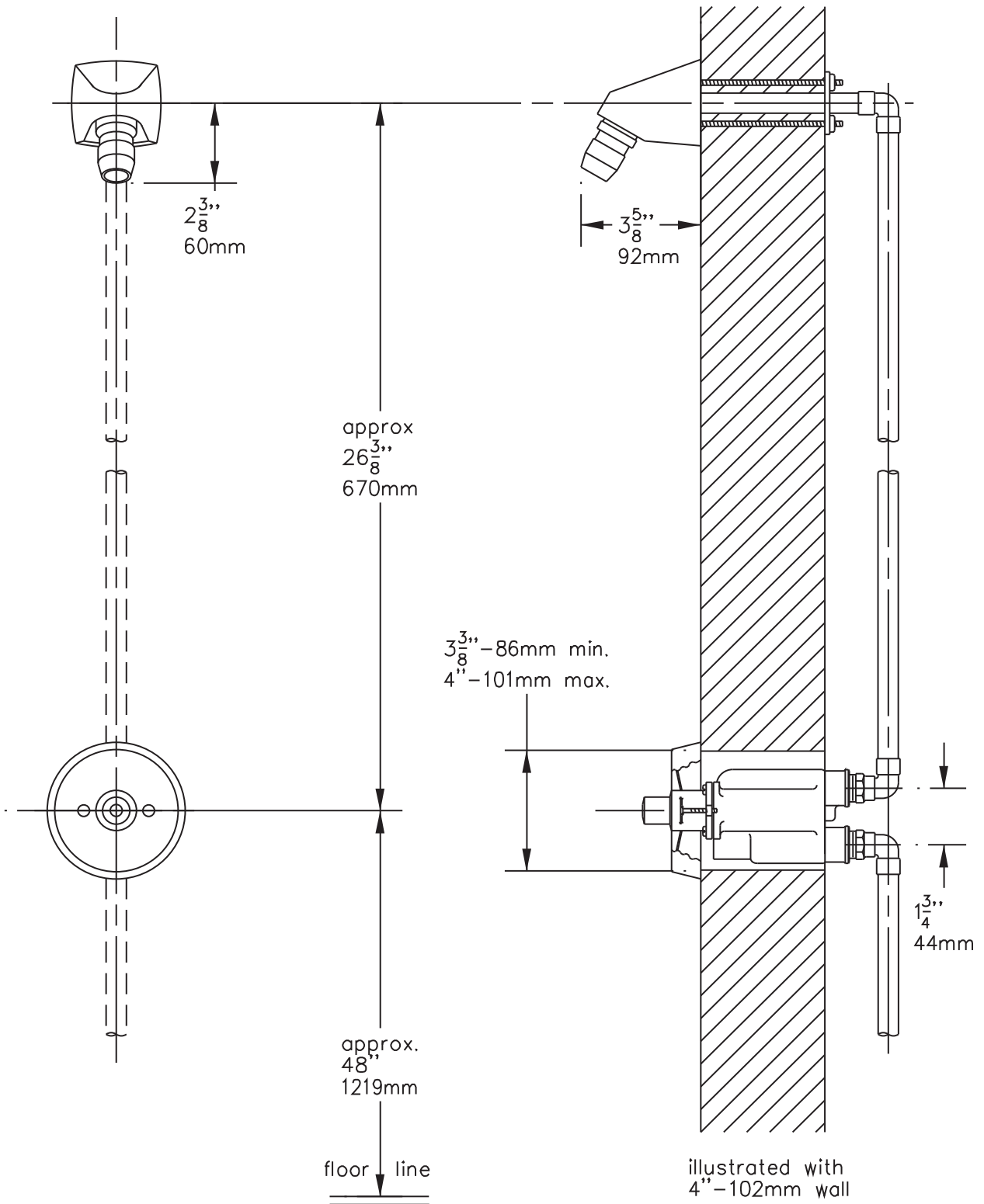
### Standards / Certifications

ASME A112.18.1-2005/CSA B125.1-05

### Warranty

- **Limited Lifetime** - to the original end purchaser in residential / consumer installations.
- **5 years** - for commercial installations

## Dimensions Showeroff Shower System, 3-310



**Note:** Dimensions subject to change without notice.

Symmons Industries, Inc. ■ 31 Brooks Drive ■ Braintree, MA 02184  
 (800) 796-6667, (781) 848-2250 ■ Fax (800) 961-9621, (781) 664-1300  
 Website: [www.symmons.com](http://www.symmons.com) ■ Email: [customerservice@symmons.com](mailto:customerservice@symmons.com)

©2008, 2009 Symmons Industries, Inc. Printed in U.S.A. ■ 043009

**SYMMONS**<sup>®</sup>  
 the smart choice™