





# SYMMONS<sup>®</sup> Visu-Temp<sup>®</sup>

the smart choice<sup>™</sup>

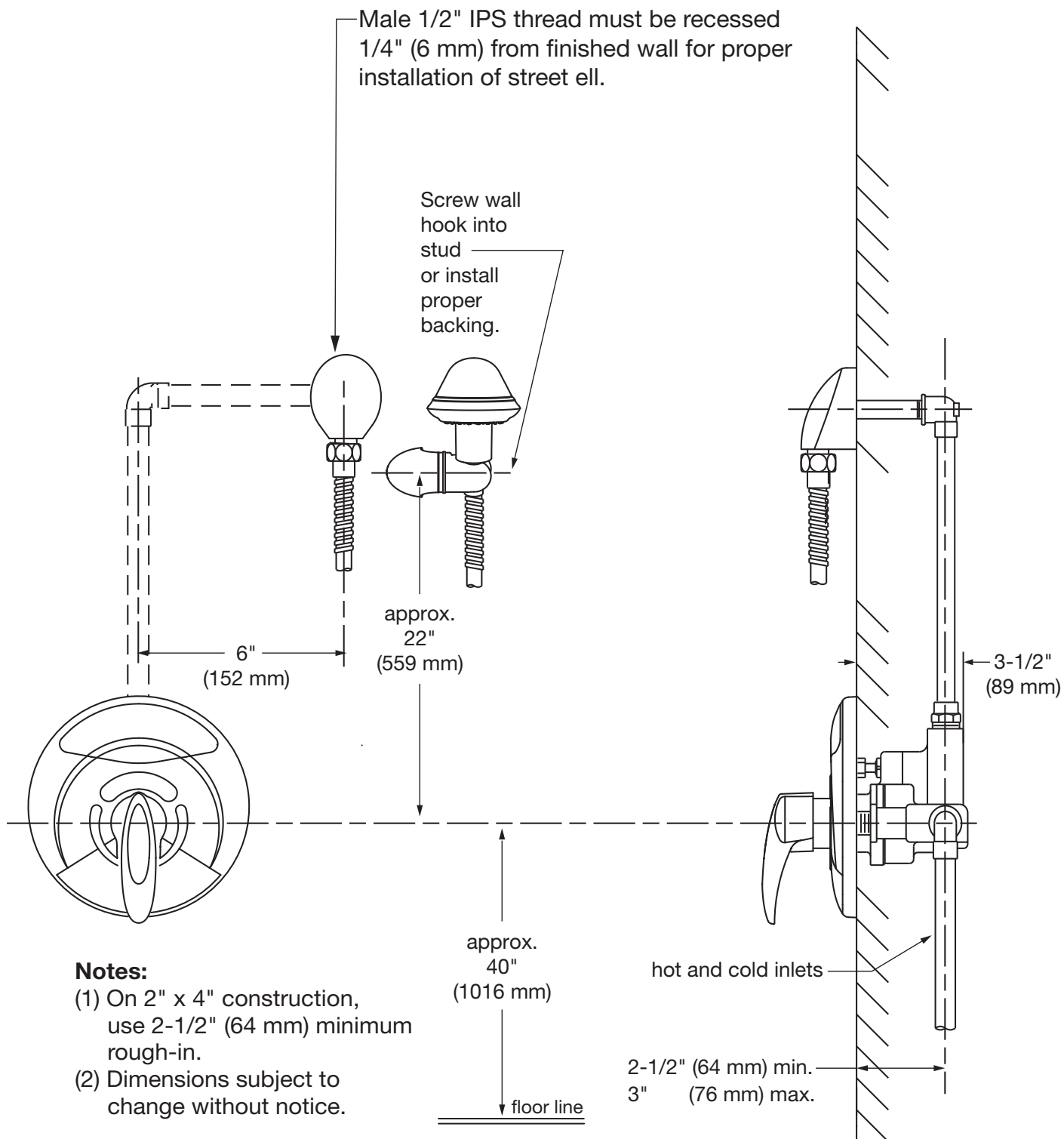
1-250VT-H401-V  
1 Hand Shower System  
**Specification Submittal**



Model Numbers	Feature Highlights
<input type="checkbox"/> <b>1-250VT-H401</b> 1 Mode Hand Shower Unit	<ul style="list-style-type: none"> <li>• Visu-Temp Pressure Balancing valve</li> <li>• Adjustable stop screw to limit handle turn</li> <li>• Metal lever handle</li> <li>• 1 mode hand shower wand</li> <li>• Cradle for hand shower</li> <li>• 60" flexible metal hose</li> <li>• Standard 2.5 gpm (9.5 L/min) flow restrictor</li> <li>• Shall be metal and nonmetallic construction, plated in standard polished chrome finish</li> </ul>
Options/Modifications	
<input type="checkbox"/> <b>-1.5</b>  1.5 gpm (5.7 L/min) flow restrictor <input type="checkbox"/> <b>-2.0</b> 2.0 gpm (7.6 L/min) flow restrictor <input type="checkbox"/> <b>-B30</b> 30" slide bar in place of cradle <input type="checkbox"/> <b>-QD</b> Quick-disconnect on hand shower unit <input type="checkbox"/> <b>-STN</b> Satin Nickel finish <input type="checkbox"/> <b>-TRM</b> Trim only <input type="checkbox"/> <b>-VB</b> Elevated vacuum breaker with wall flanges <input type="checkbox"/> <b>-VP</b> Vandal resistant escutcheon screws <input type="checkbox"/> <b>-X</b> Integral service stops - allows water shutoff at valve for service <input type="checkbox"/> <b>-X-3/4"</b> 3/4" valve to increase flow approx. 20% <input type="checkbox"/> <b>-X-CHKS</b> Integral check stops - for use in installations where a positive shut-off device is used downstream of mixing valve	<p><b>Limited Lifetime</b> - to the original end purchaser in consumer installations.  <b>5 Years</b> - for commercial installations.          Refer to <a href="http://www.symmons.com/warranty">www.symmons.com/warranty</a> for complete warranty information.</p>
<p><b>Note:</b> Append appropriate -suffix to model number.</p>	Compliance
	<p>- ASME A112.18.1/CSA B125.1</p> 

## Dimensions

### Visu-Temp Hand Shower, 1-250VT-H401-V



**Note:** Dimensions subject to change without notice.