

# 1-210 Safetymix® Tub and Shower System

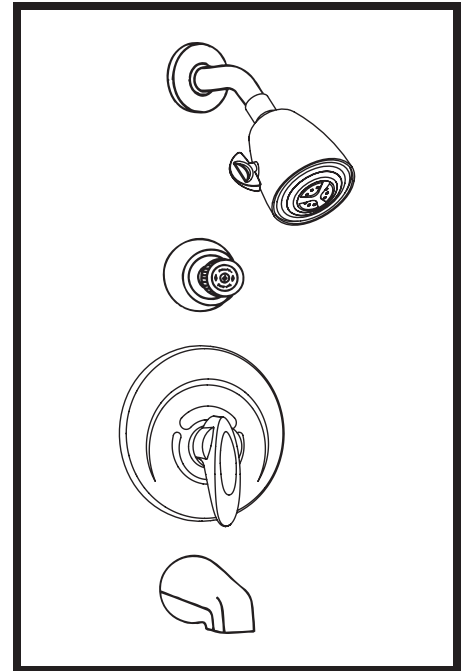
Safetymix Pressure-Balancing mixing valve with lever handle and adjustable stop screw to limit handle turn. Push-button diverter with volume control for shower head. Super shower head with arm and flange. Tub spout.

## Modifications:

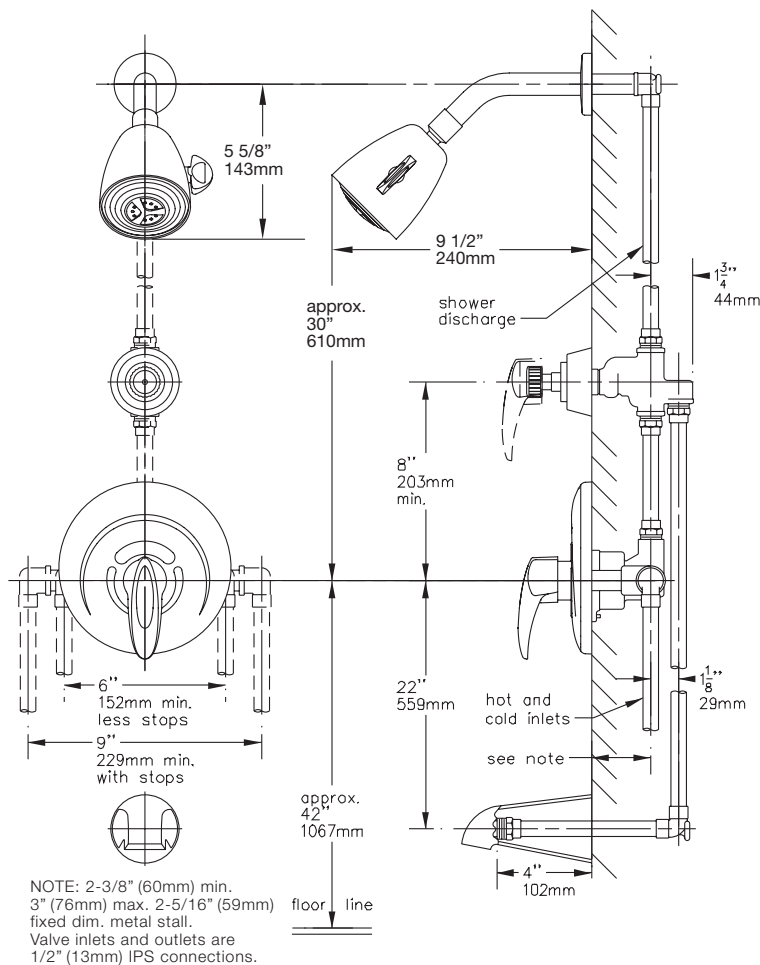
**Suffix 1.5:** 1.5 gpm (5.7 L/min) flow restrictor

**Suffix X:** Integral service stops—allows water shut-off at valve for service

**Suffix X-3/4:** 3/4" valve to increase flow approximately 20%



**SYMMONS PRODUCTS MEET  
ASME A112.18.1/CSA B125.1  
AND ALL KNOWN FLOW RATE  
REQUIREMENTS.  
Shower Heads and Hand Showers  
2.5 GPM (9.5 L/min)**



## Job/Location

.....  
.....

## Engineer

.....  
.....

## Contractor

.....  
.....

This drawing to be used for rough-in installation only. All floor to center dimensions optional. Concealed piping and fittings not furnished by manufacturer. For ADA compliance (Americans with Disabilities Act) consult ADAAG or your state regulations for proper product choice and mounting locations. For complete installation, adjustment and service information see installation instructions.

Symmons Industries, Inc. ■ 31 Brooks Drive ■ Braintree, MA 02184  
Phone: (800) 796-6667 ■ Fax: (800) 961-9621  
Website: symmons.com ■ Email: gethelp@symmons.com

Copyright © 2016 Symmons Industries, Inc. ■ ZV-1701 REV A ■ 122016

