



Location:

# DS Creations

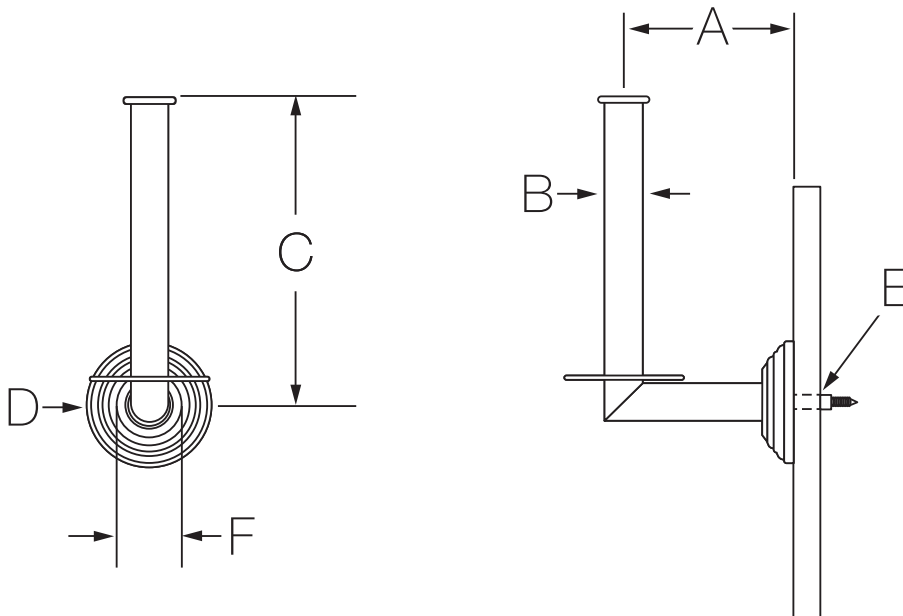
0600-3TP (CD0600-3TP)  
 Toilet Paper Holder  
**Specification Submittal**



Model Numbers	Specification
<input type="checkbox"/> <b>0600-3TP</b> <i>Toilet Paper Holder</i>	Toilet Paper Holder shall be made from metal construction, plated in standard polished chrome finish.
<b>Warranty</b>	
<b>Limited Lifetime</b> - to the original end purchaser in consumer/residential installations. <b>5 Years</b> - for industrial/commercial installations. Refer to <a href="http://www.symmons.com/warranty">www.symmons.com/warranty</a> for complete warranty information.	

### Dimensions

Measurements	
A	3-3/16", 81 mm
B	Ø 11/16", 18 mm
C	5-5/8", 143 mm
D	Ø 2-1/4", 57 mm
E	(2x) Hole Size Ø 5/16", 8 mm
F	1-3/16", 30 mm



**Note:** Dimensions subject to change without notice.