



Location:

SYMMONS® DS Creations

the smart choice™

0600-3TP-DPST (CD0600-3TP-DPST)

Toilet Paper Holder

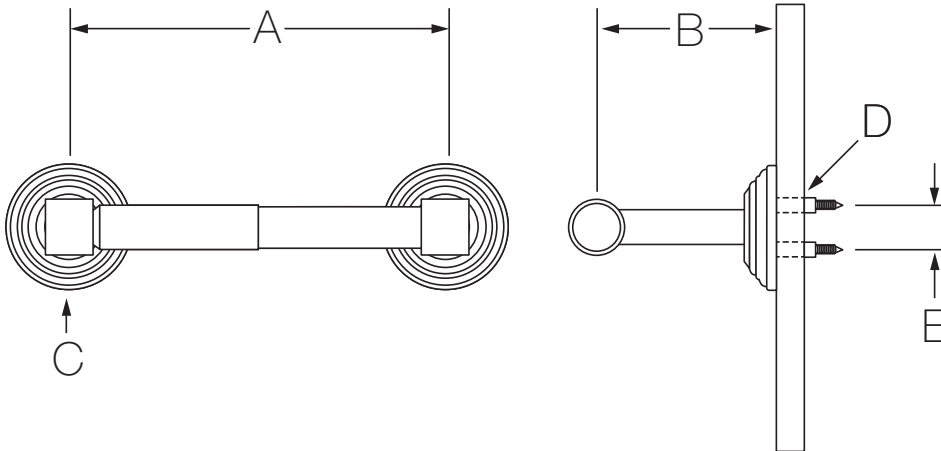
Specification Submittal



Model Numbers	Specification
<input type="checkbox"/> 0600-3TP-DPST <i>Toilet Paper Holder</i>	Toilet Paper Holder shall be made from metal construction, plated in standard polished chrome finish.
Warranty	
<p>Limited Lifetime - to the original end purchaser in consumer/residential installations.</p> <p>5 Years - for industrial/commercial installations.</p> <p>Refer to www.symmons.com/warranty for complete warranty information.</p>	

Dimensions

Measurements	
A	6-13/16", 173 mm
B	3-1/4", 83 mm
C	(2x) Ø 2-1/4", 57 mm
D	(4x) Hole Size Ø 5/16", 8 mm
E	(2x) 13/16", 21 mm



Note: Dimensions subject to change without notice.