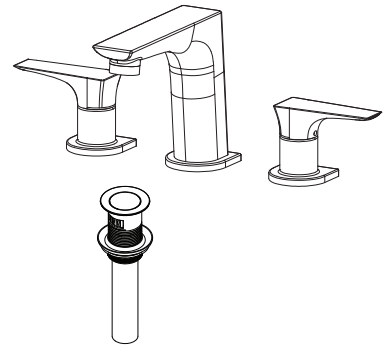






Location:



Two Handle Widespread Lavatory Faucet Specification Submittal

<p>Model Numbers</p> <p><input type="checkbox"/> SLW4912PP Two Handle Widespread Lavatory Faucet</p>	<p>Feature Highlights</p> <ul style="list-style-type: none"> • 8" to 16" mount configuration • Quarter turn ceramic cartridges • 3/8" inlet connections • 24" Braided supply hoses • Metal drain assembly • Standard 1.0 gpm (3.8 L/min) flow rate • Faucet shall be metal construction, plated in standard polished chrome finish
<p>Options/ Modifications</p> <p><input type="checkbox"/> 05 0.5 gpm (1.89 L/min) Flow Restrictor</p> <p><input type="checkbox"/> STN Satin Nickel Finish</p> <p><input type="checkbox"/> MB Matte Black Finish</p>	<p>Warranty</p> <p>Limited Lifetime - to the original end purchaser in consumer/residential installations.</p> <p>10 Years - for commercial/industrial installations. Refer to www.symmons.com/warranty for complete warranty information.</p> 
<p>Compliance</p> <ul style="list-style-type: none"> - ASME A112.18.1; CSA B125.1 - NSF/ANSI/CAN 61: Q<1, NSF/ANSI 372 - WaterSense for 1.0 GPM Only - Lever handle meets ADA requirements - Push Pop meets ADA requirements for operation   	

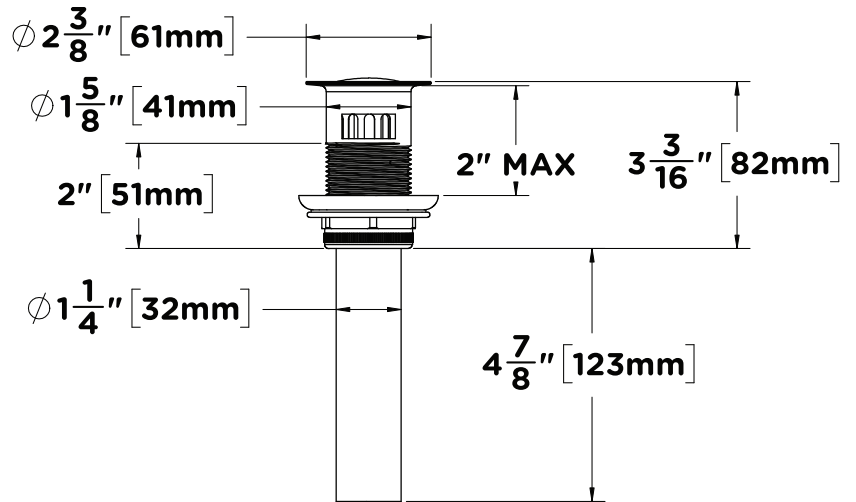
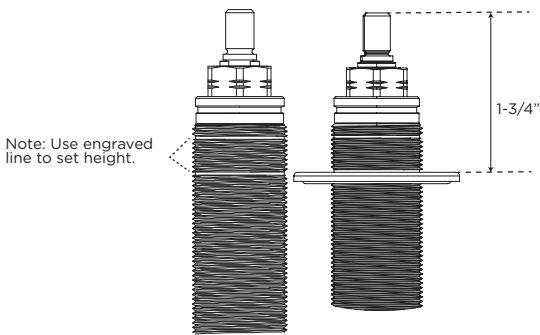
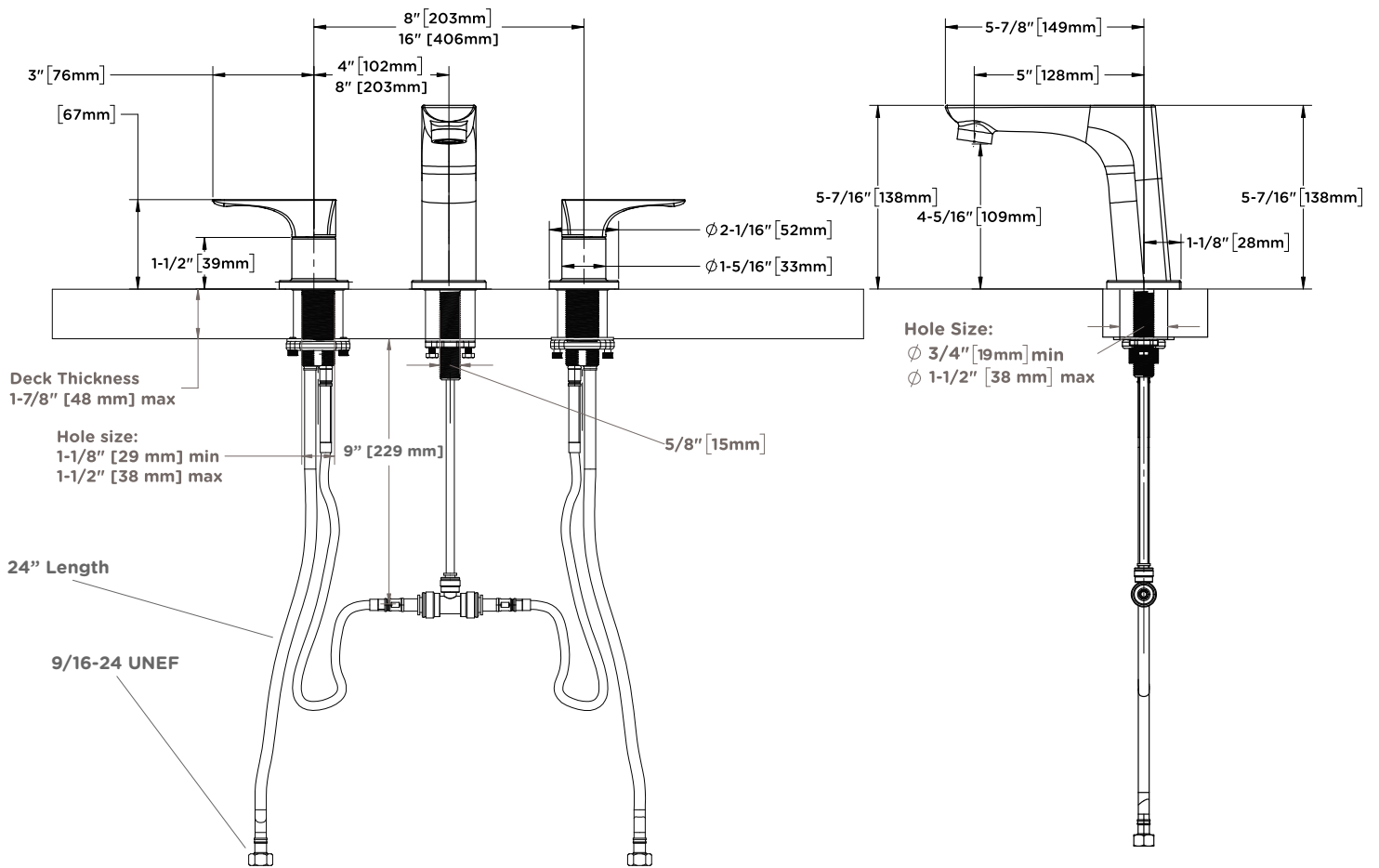
SKU Builder

Type	Series	Finish	PP	Flow Rate	Final SKU
SLW	4912	STN	PP	05	SLW4912STNPP05
SLW	4912		PP		SLW4912PP

Architectural/ Engineering Specification

Symmons _____ two handle widespread lavatory faucet. Includes 8" to 16" mount configuration with quarter turn ceramic cartridges, 3/8" inlet connections, 24" braided supply hoses, 1.0 gpm (3.8 L/min) flow restrictor, and metal construction plated in polish chrome finish. "10 Year Commercial Warranty". ASME A112.18.1; CSA B125.1, NSF/ANSI/CAN 61: Q<1, NSF/ANSI 372, and WaterSense compliant. Lever handle meets ADA requirements and push pop meets ADA requirements for operation. Available options include: "05 - 0.5 gpm (1.89 L/min) Flow Restrictor", "STN - Satin Nickel Finish", and "MB - Matte Black Finish".

Dimensions



Note:

- Flange to be set to 1-3/4"
- Dimensions subject to change without notice