









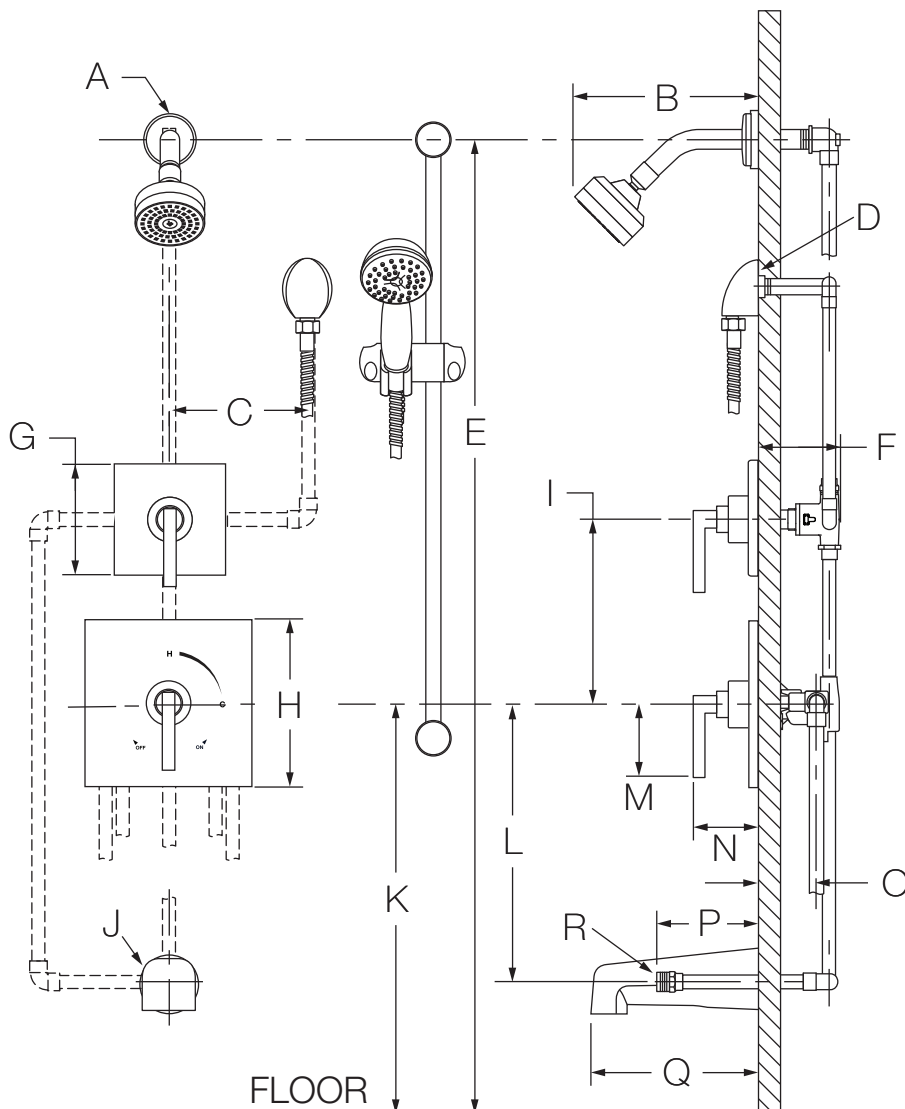


**3606-H321-V
Tub/Shower/Hand Shower System
Specification Submittal**

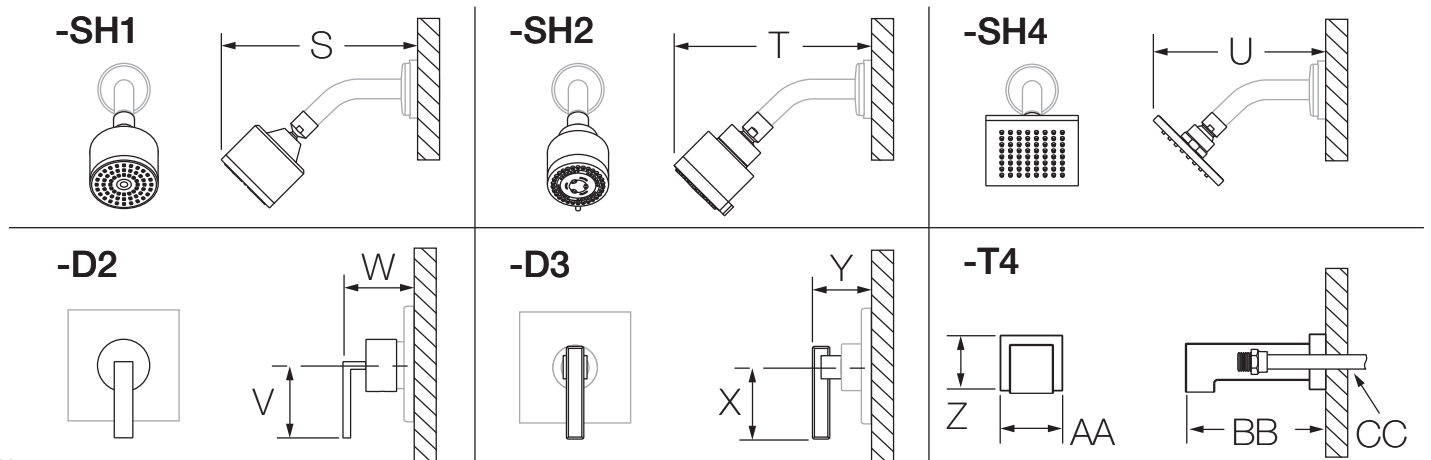


| Feature Highlights | Options/Modifications cont. |
|--|---|
| <ul style="list-style-type: none"> • Metal lever handles • Adjustable stop screw to limit handle turn • 30" slide bar for hand shower • Separate triple outlet diverter • 7" non-diverter tub spout • 60" flexible metal hose • 1 mode hand shower • Dual checks for backflow protection • 1 mode showerhead • 2.5 gpm (9.5 L/min) standard flow restrictors • Components shall be metal and nonmetallic construction, plated in standard polished chrome finish • For optional in-line vacuum breaker order p/n EF-109 | <ul style="list-style-type: none"> <input type="checkbox"/> -L/HS <i>Less hand shower</i> <input type="checkbox"/> -NS  <i>Non-shared diverter valve</i> <input type="checkbox"/> -QD <i>Quick-disconnect on hand spray units</i> <input type="checkbox"/> -R <i>60" white vinyl hose in place of 60" metal hose</i> <input type="checkbox"/> -REB <i>Rebuild trim kit, includes TA-10 and TA-4</i> <input type="checkbox"/> -REV <i>Reverse coring, hot on right, cold on left, for back to back installations</i> <input type="checkbox"/> -SH1  <i>Alternative 352SH Dia showerhead</i> <input type="checkbox"/> -SH2  <i>Alternative 352SH-3, 3 mode showerhead (Chrome and Satin Nickel finish only)</i> <input type="checkbox"/> -SH4  <i>Alternative 361SH square showerhead</i> <input type="checkbox"/> -SS <i>Slip spout on any tub/shower unit</i> <input type="checkbox"/> -T4 <i>Alternative 361TS, non-diverter square tub spout</i> <input type="checkbox"/> -T724 <i>24" slide bar/grab bar with ADA hand shower</i> <input type="checkbox"/> -T736 <i>36" slide bar/grab bar with ADA hand shower</i> <input type="checkbox"/> -T748 <i>48" slide bar/grab bar with ADA hand shower</i> <input type="checkbox"/> -TRM <i>Trim only, valve must be ordered separately</i> <input type="checkbox"/> -VB <i>Elevated vacuum breaker</i> <input type="checkbox"/> -VP <i>Vandal resistant escutcheon screws in place of standard screws</i> <input type="checkbox"/> -X <i>Integral service stops - allows water shutoff at valve for service</i> <input type="checkbox"/> -X-CHKS <i>Integral check stops - for use in installations where a positive shut-off device is used downstream of mixing valve</i> <input type="checkbox"/> -BBZ <i>Brushed Bronze finish (not available with H36 or T7 series slide bar/grab bar modifications)</i> <input type="checkbox"/> -MB <i>Matte Black finish (not available with H36 or T7 series slide bar/grab bar modifications)</i> <input type="checkbox"/> -STN <i>Satin Nickel finish</i> <p>Note: Append appropriate -suffix to model number.</p> |
| <p>Model Numbers</p> <ul style="list-style-type: none"> <input type="checkbox"/> 3606-H321-V Tub/Shower/Hand Shower System with Symmons Temptrol® 4-port pressure balancing mixing valve <input type="checkbox"/> 46-2-BODY Symmons Temptrol 4-port pressure balancing mixing valve <input type="checkbox"/> 46-2X-BODY Symmons Temptrol 4-port pressure balancing mixing valve with integral service stops <input type="checkbox"/> 3DIV-BODY Symmons triple outlet diverter valve | <p>Compliance</p> |
| <p>Options/Modifications</p> <ul style="list-style-type: none"> <input type="checkbox"/> -1.5  <i>1.5 gpm (5.7 L/min) flow restrictor</i> <input type="checkbox"/> -2.0 <i>2.0 gpm (7.6 L/min) flow restrictor</i> <input type="checkbox"/> -72 <i>72" hose in place of 60" hose</i> <input type="checkbox"/> -D2  <i>Wide, square lever diverter handle (Chrome and Satin Nickel finish only)</i> <input type="checkbox"/> -D3  <i>Stacked, square lever diverter handle (Chrome and Satin Nickel finish only)</i> <input type="checkbox"/> -ADACHS <i>ADA hand shower wand (chrome)</i> <input type="checkbox"/> -ADAHS <i>ADA hand shower wand (white)</i> <input type="checkbox"/> -H323-V <i>3 mode hand shower unit with slide bar</i> <input type="checkbox"/> -H323-V-48 <i>3 mode hand shower unit with 48" slide bar</i> <input type="checkbox"/> -H3624 <i>24" decorative slide/grab bar with ADA hand shower</i> <input type="checkbox"/> -H3636 <i>36" decorative slide/grab bar with ADA hand shower</i> <input type="checkbox"/> -IPS  <i>1/2" female IPS connections</i> <input type="checkbox"/> -LW  <i>Wide lever handle (Chrome finish only)</i> <input type="checkbox"/> -L/HD <i>Less showerhead</i> | <p>- ASME A112.18.1/CSA B125.1</p>  |
| | <p>Warranty</p> <p>Limited Lifetime - to the original end purchaser in consumer/residential installations. 5 Years - for industrial/commercial installations. Refer to www.symmons.com/warranty for complete warranty information.</p> |

Dimensions



| Measurements | |
|--------------|---|
| A | Ø 2-1/2", 64 mm |
| B | 6", 152 mm |
| C | 6", 152 mm |
| D | Male 1/2-14 NPT thread must be recessed 1/4" (6 mm) from finished wall |
| E | Ref. 77", 1956 mm |
| F | 3-1/2", 89 mm |
| G | Sq. 5", 127 mm |
| H | Sq. 7-1/2", 191 mm |
| I | Ref. 10", 254 mm |
| J | Ø 2-1/2", 64 mm |
| K | Ref. 32", 813 mm |
| L | Ref. 12", 305 mm |
| M | 3-1/8", 79 mm |
| N | 3-1/2", 89 mm |
| O | Rough-in 2-3/8" ± 1/2", 60 mm ± 13 mm |
| P | 5-1/4", 133 mm |
| Q | 7", 178 mm |
| R | Male 1/2-14 NPT fitting must protrude 5-1/4" (133 mm) from finished wall |
| S | 6-3/4", 171 mm |
| T | 6-3/4", 171 mm |
| U | 5-5/8", 143 mm |
| V | 3-1/8", 80 mm |
| W | 3-5/8", 92 mm |
| X | 3-1/8", 79 mm |
| Y | 3-5/8", 92 mm |
| Z | 2-1/4", 57 mm |
| AA | 2-1/2", 64 mm |
| BB | 5-5/8", 143 mm |
| CC | Male 1/2-14 NPT fitting must protrude 4-7/16" (113 mm) from finished wall |



Notes:

- 1) Plaster shield (p/n T-176) for dry wall, plaster or other type walls 1/2" or greater.
- 2) Do not install positive shut-off device/devices that do not allow the valve to flow at least 1.5 gpm to valve outlets.
- 3) All dimensions measured from nominal rough-in (see O as reference).
- 4) Dimensions subject to change without notice.