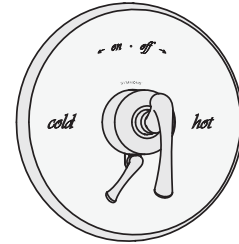



Location:

# SYMMONS® Ballina™

## Tub and Shower System S-5202 Specification Submittal



### Feature Highlights

- Symmons tub and shower system with lever handles.
- Symmons Temptrol® pressure balancing mixing valve with adjustable stop screw to limit handle turn.
- Secondary integral diverter/volume control handle
- Three mode shower head with arm and flange
- Standard flow rate is 2.5 gpm (9.5 L/min)  
*Optional lower flow rate restrictor available* 
- Tub spout
- Polished chrome finish

### Model Numbers

- S-5202.....Tub and Shower System with Symmons Temptrol® pressure balancing mixing valve  
p/n S-4002-BODY
- S-5202-TRM.....Trim only, valve and diverter must be ordered separately
- S-4002-BODY.....Symmons Temptrol® pressure balancing mixing valve without trim
- S-4002-X-BODY.... Symmons Temptrol® pressure balancing mixing valve without trim. Valve includes integral service stops to allow water shut-off for service.



### Finish Options / Modifications

*Append appropriate -suffix to model number.*

- STN Satin nickel
- BBZ Brushed Bronze
- Polished chrome (standard)

### Options / Modifications

*Append appropriate -suffix to model number.*

- IPS 1/2 inch female IPS connections on Symmons Temptrol® mixing valve
- X Symmons Temptrol® pressure balancing mixing valve includes integral service stops to allow water shut-off for service, p/n S-4002-X-BODY. (Option only applies when ordering model S-5202.)
-  -2.0 2.0 (7.6 L/min) Flow rate restrictor
-  1.5 1.5 (5.7 L/min) Flow rate restrictor

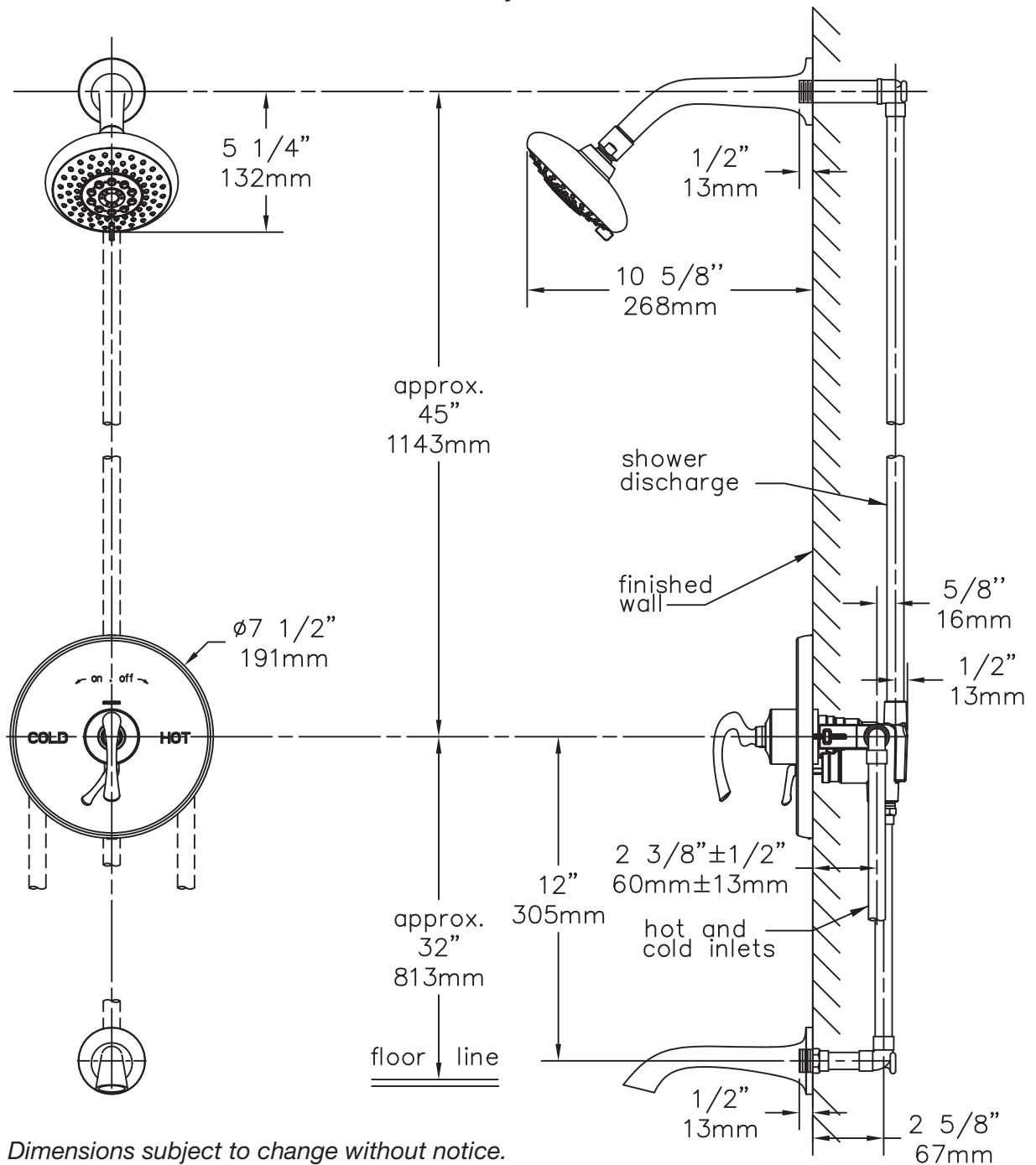
### Standards / Certifications

ASME A112.18.1-2005/CSA B125.1-05

### Warranty

- Limited Lifetime - to the original end purchaser in consumer installations.
- 5 years - for commercial installations

## Dimensions *Ballina Tub and Shower System, S-5202*



**Note:** Dimensions subject to change without notice.