



SYMMONS® Elm®

Roman Tub Faucet SRT-5570 Installation Brief



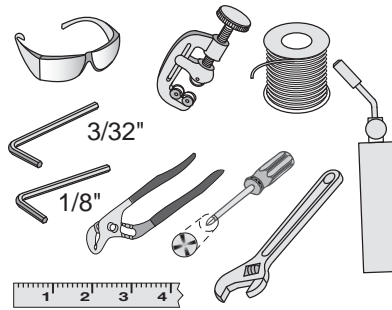
Model Numbers

SRT-5570 Roman Tub Faucet

Finish Options

- STN Satin Nickel
- SBZ Season Bronze
- Chrome (standard finish)

Tools & Materials



Need Help?

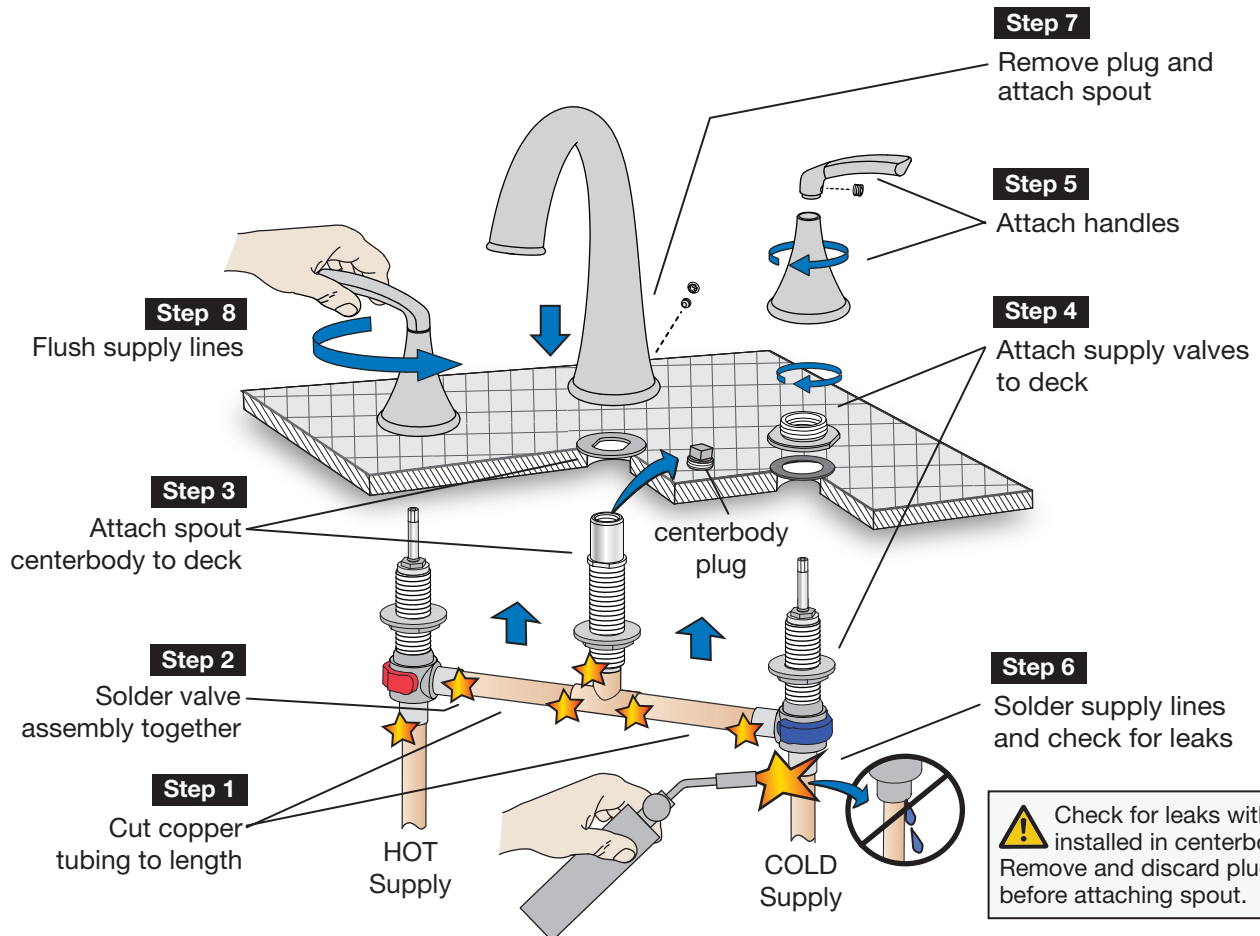
Symmons customer service:
Phone: (800) 796-6667
Email: gethelp@symmons.com
Monday - Friday 7:30 am - 6:00 pm EST
www.symmons.com/service

Compliance

ASME A112.18.1/CSA B125.1

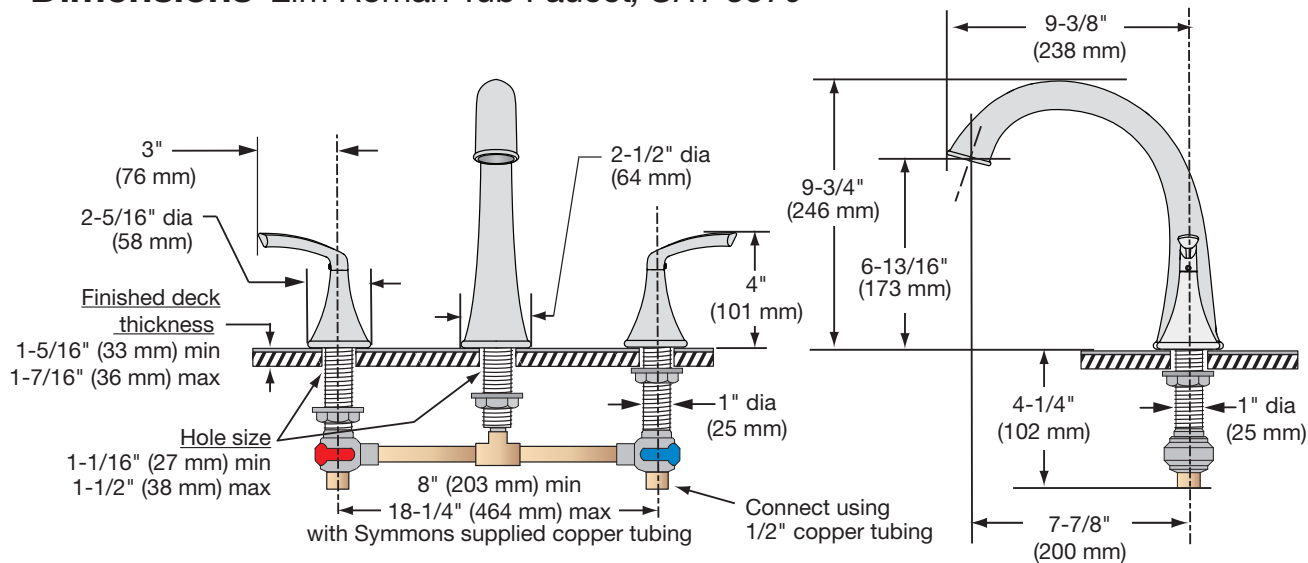


Quick Install Guide Elm Roman Tub Faucet, SRT-5570



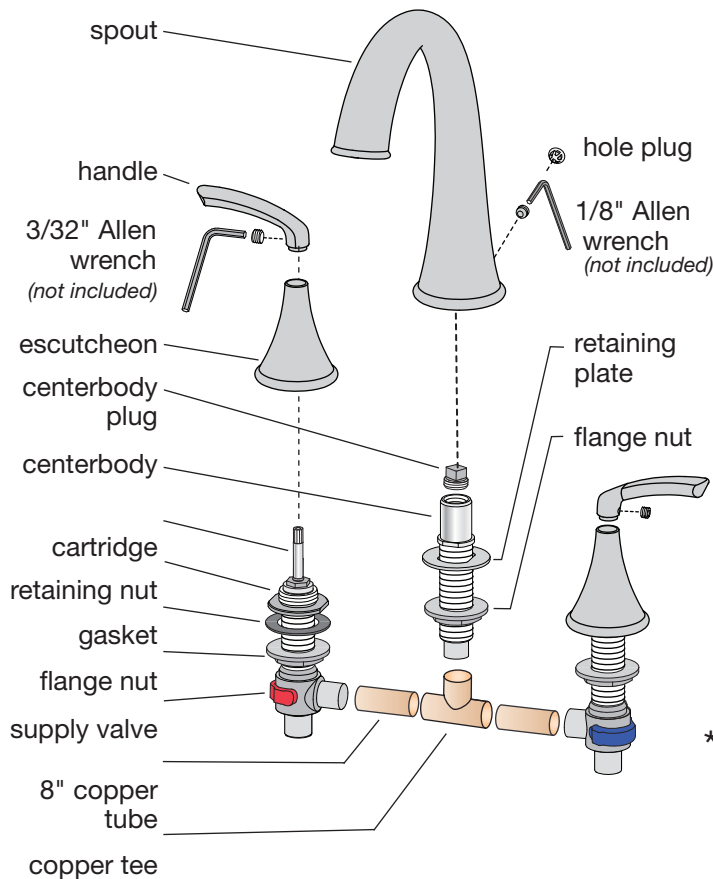
WARNING: This product can expose you to chemicals including lead, which is known to the state of California to cause cancer, birth defects, or other reproductive harm. For more information, go to www.P65Warnings.ca.gov.

Dimensions Elm Roman Tub Faucet, SRT-5570

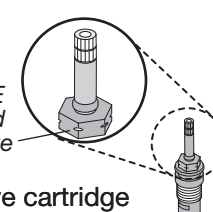


Dimensions subject to change without notice.

Parts Assembly Elm Roman Tub Faucet, SRT-5570



Replacement Parts

Part Number	Item
RL-143* <i>includes two handles</i>	Handle kit Qty handle (2) screw (2) escutcheon (2)
RL-142	Mounting kit, Qty retaining nut (2) washer (2) mounting nut (2)
KN-114E (hot) OFF = CW KN-113E (cold) OFF = CCW	 KN-113E identified by groove valve cartridge

* Note: For faucets with an optional decorative finish, add appropriate suffix code letters to part numbers marked with an asterisk (*) when ordering.

Ordering replacement parts:

Call Symmons customer service at (800) 796-6667, (781) 848-2250 M-F 7:30 am - 6:00 pm EST or check our website at www.symmons.com for a list of Symmons distributors.