

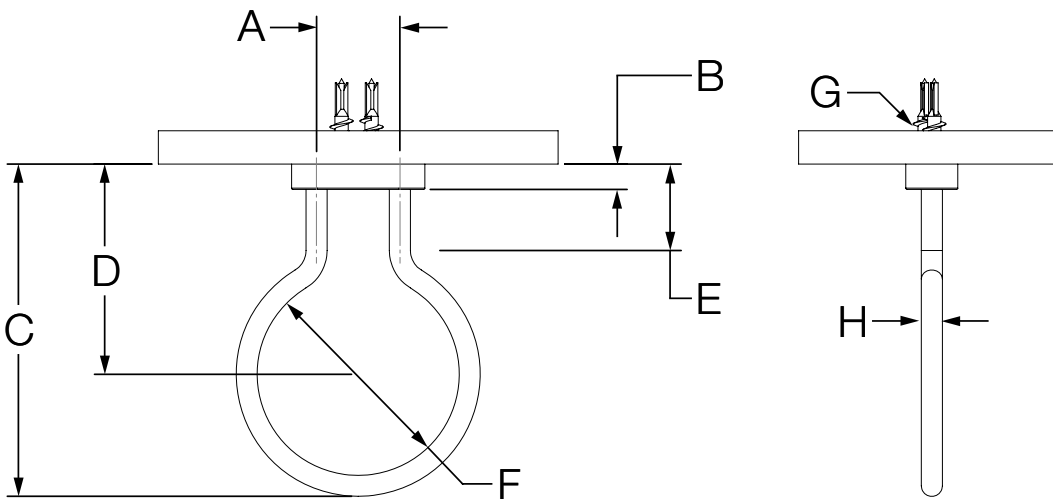


0368-3HDH
 Hair Dryer Holder
Operation & Maintenance Manual



Model Number	Specification
<input type="checkbox"/> 0368-3HDH <i>Hair Dryer Holder</i>	Hair dryer holder made from metal construction, plated in standard polished chrome finish.
Compliance	Warranty
For California Residents WARNING: This product contains chemicals known to the State of California to cause cancer, birth defects, or other reproductive harm.	Limited Lifetime - to the original end purchaser in consumer installations. 5 Years - for commercial installations. Refer to www.symmons.com/warranty for complete warranty information.

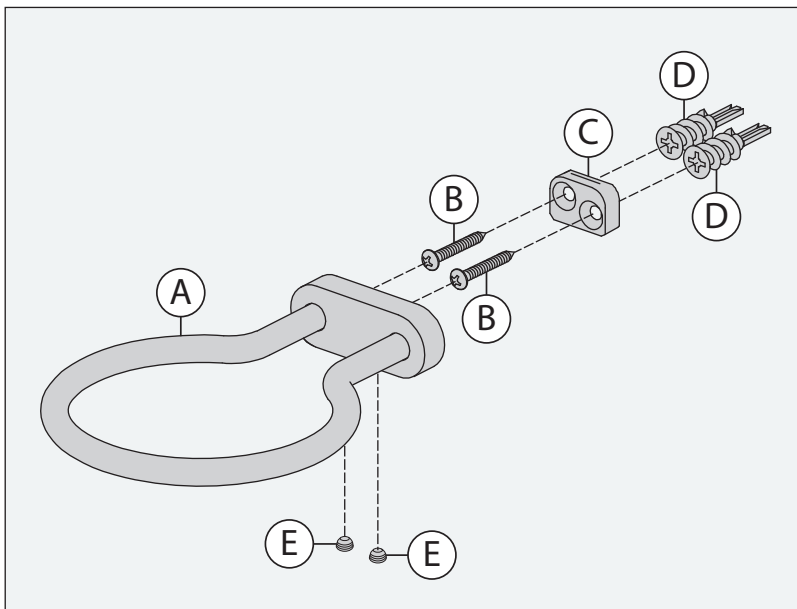
Dimensions

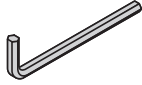
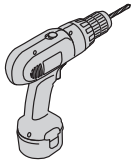
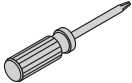


Measurements	
A	1-1/4", 32 mm
B	3/8", 10 mm
C	5", 127 mm
D	3-1/8", 79 mm
E	1-1/4", 32 mm
F	Ø 3", 76 mm
G	(2x) Hole Size Ø 5/16", 8 mm
H	Ø 5/16", 8 mm

Note: Dimensions subject to change without notice.

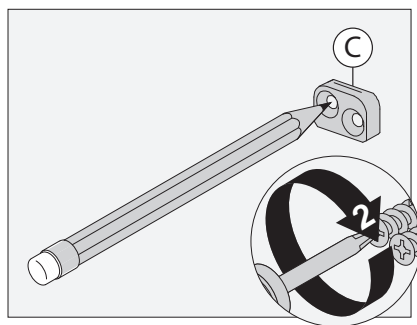
Parts Breakdown



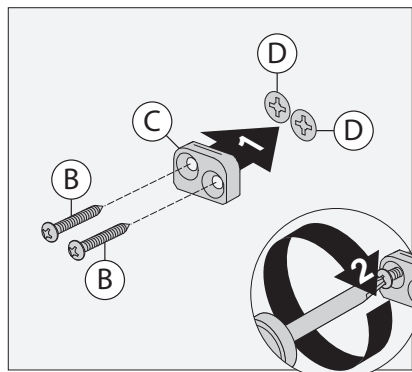
Replacement Parts		
Item	Description	Part Number
B D	Mounting Hardware Kit	RA-019
Tools Required		
Allen Wrench (3/32")		
Drill		
Phillips Head Screwdriver		

Installation

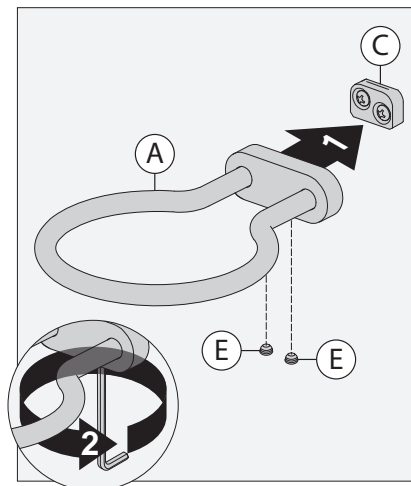
1) Place mounting bracket (C) into desired position and mark drill hole locations. Remove mounting bracket (C) and install two self drilling anchors (D) into wall.



2) Reposition mounting bracket (C) on self drilling anchors (D) and secure to wall with two screws (B).



3) Attach hair dryer holder (A) to mounting bracket (C). Secure with two set screws (E).



Troubleshooting Chart

Problem	Cause	Solution
Finish is spotting	Elements in water supply may cause water staining on finish.	Clean finished trim area with a soft cloth using mild soap and water or a non-abrasive cleaner and then quickly rinse with water.