



SYMMONS® Oxford®

Roman Tub Faucet SRT-4272 Installation and Service Instructions



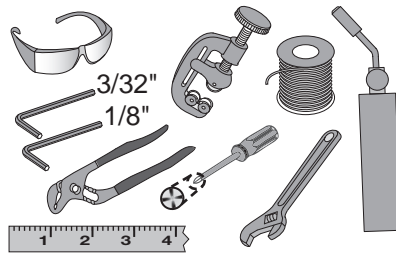
Model Numbers

SRT-4272 Faucet with Handspray

Finish Options

- STN Satin Nickel
- ORB Oil Rubbed Bronze
- Chrome (standard finish)

Tools & Materials



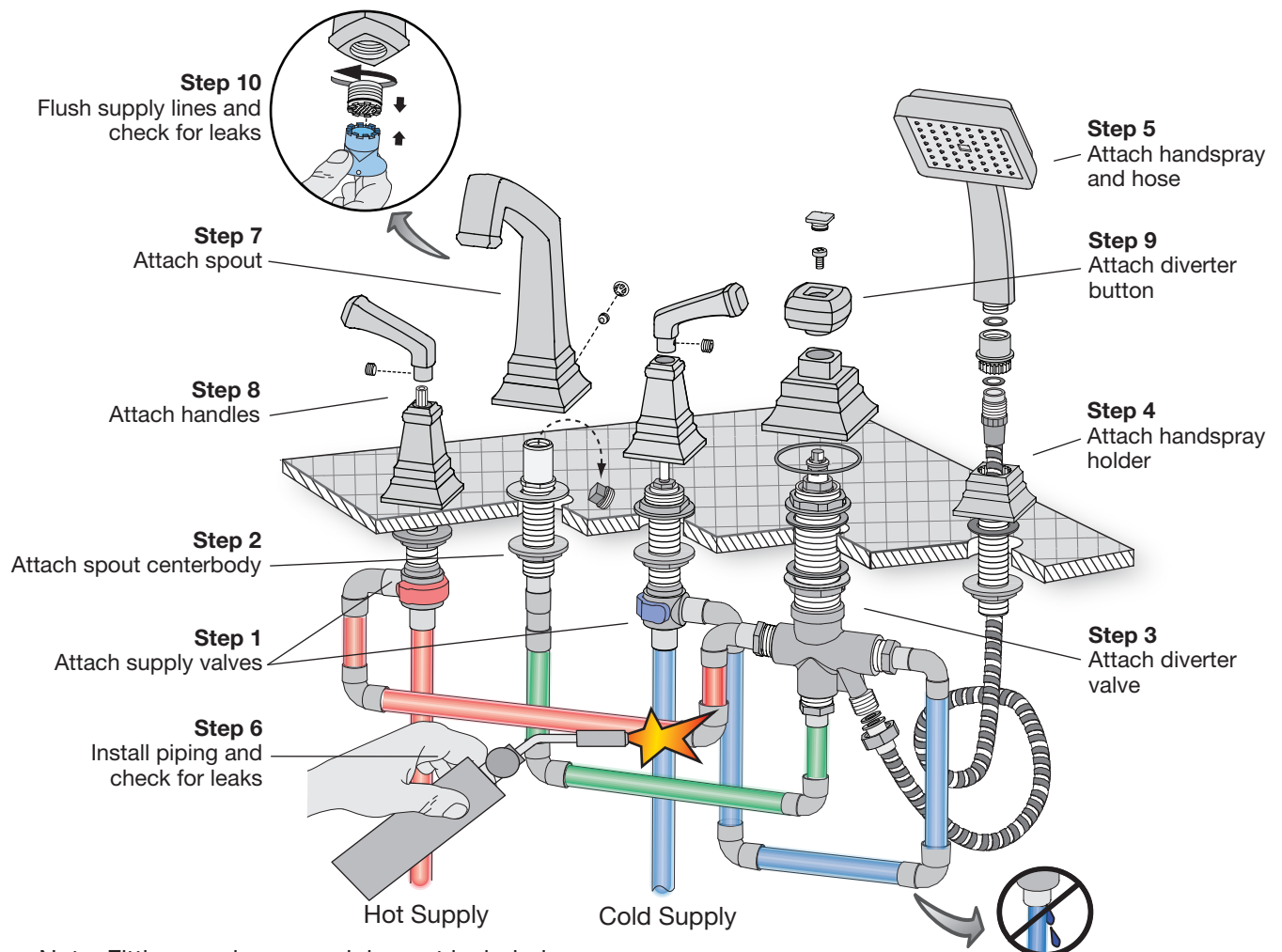
☎ Need Help?

Symmons customer service:
Phone: (800) 796-6667
Email: gethelp@symmons.com
Monday - Friday 7:30 am - 6:00 pm EST
www.symmons.com/service

Compliance

ASME A112.18.1/CSA B125.1 

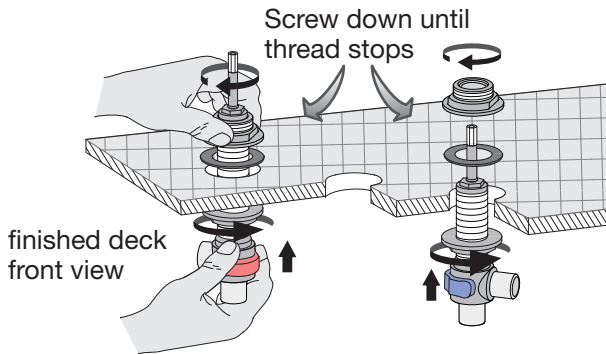
Quick Install Guide Oxford Roman Tub Faucet, SRT-4272



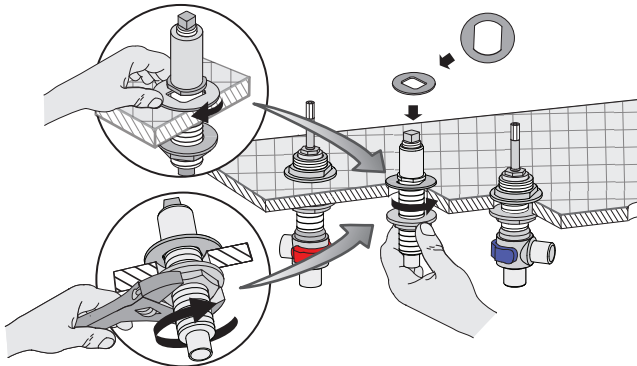
⚠ WARNING: This product can expose you to chemicals including lead, which is known to the state of California to cause cancer, birth defects, or other reproductive harm. For more information, go to www.P65Warnings.ca.gov.

Installation Instructions

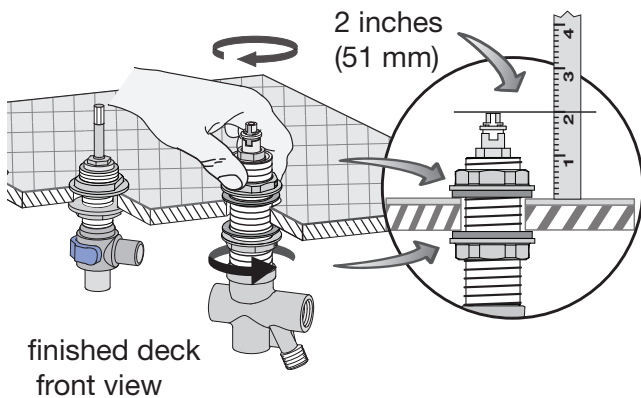
Step 1 Attach supply valves to deck



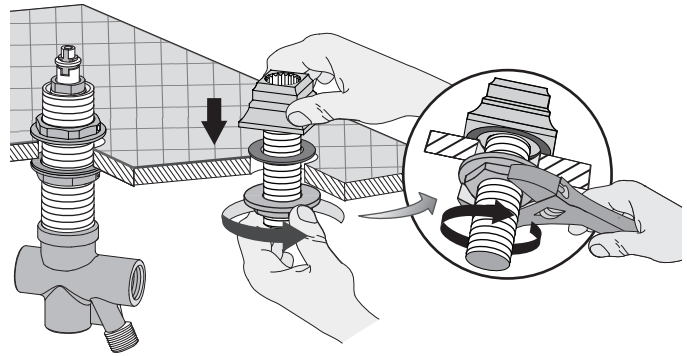
Step 2 Attach spout centerbody



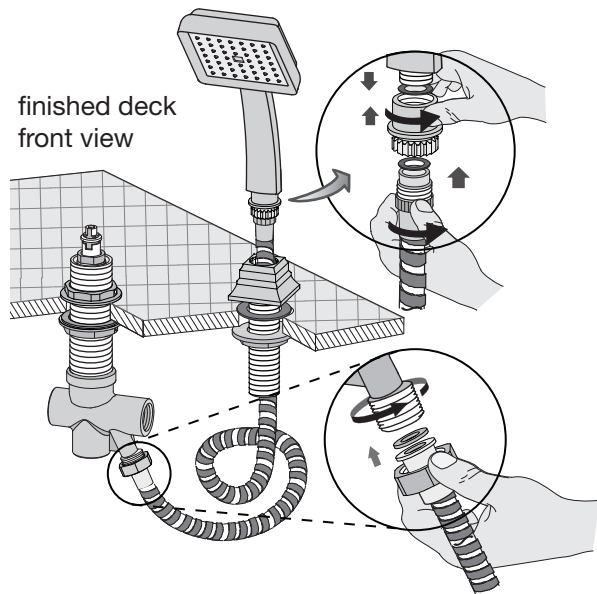
Step 3 Attach diverter valve



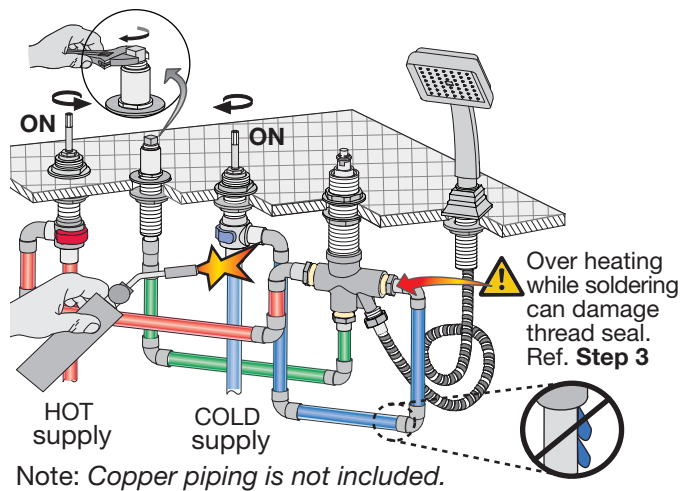
Step 4 Attach handspray holder



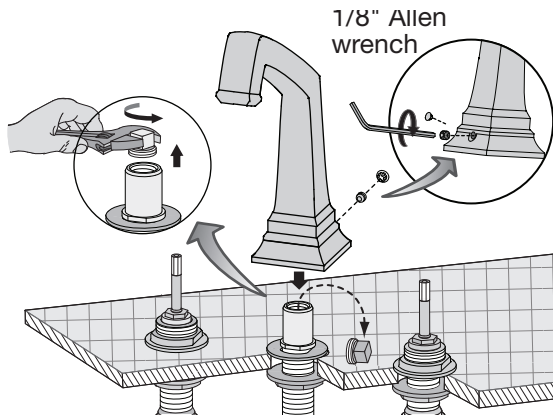
Step 5 Attach handspray and hose



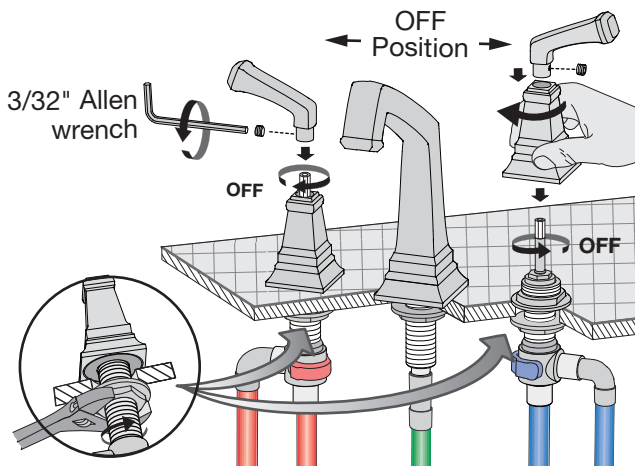
Step 6 Install piping and check for leaks



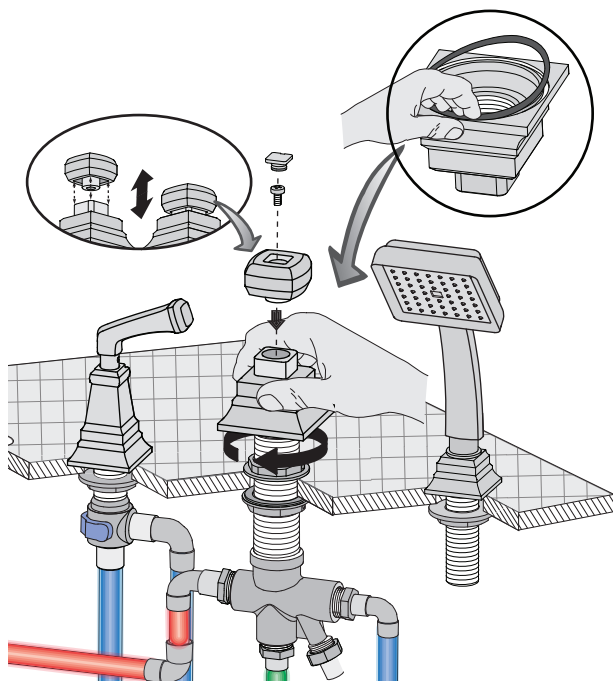
Step 7 Attach spout



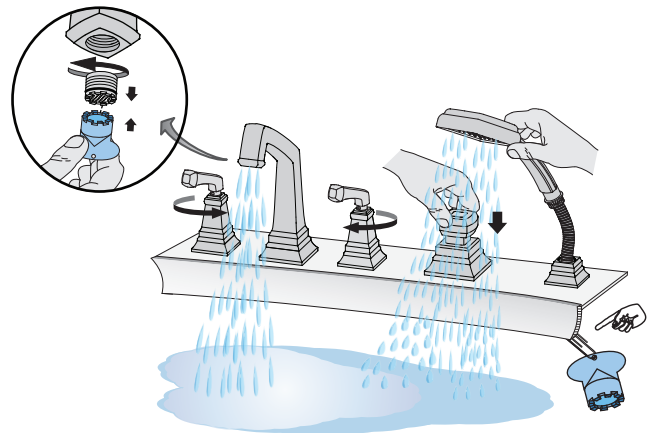
Step 8 Attach faucet handles



Step 9 Attach diverter handle



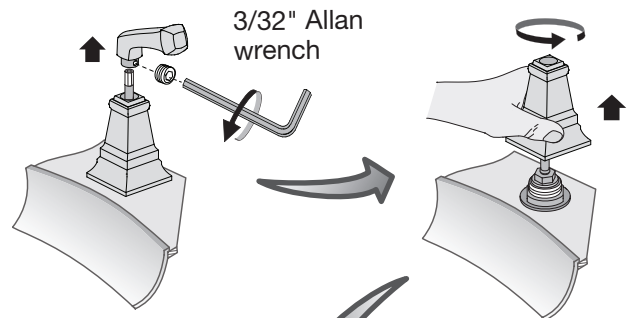
Step 10 Flush supply lines; check for leaks



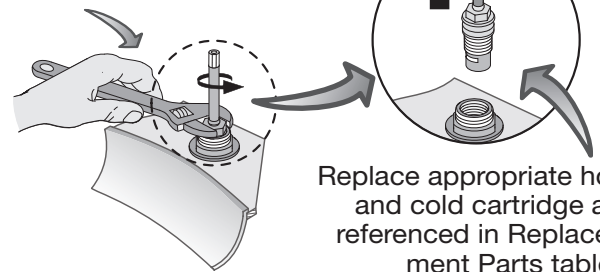
Care of faucet finish

Clean finish area by using mild soap and water or non-abrasive cleaner and then rinse immediately. A non-abrasive wax may be used to preserve finish area.

Valve cartridge replacement

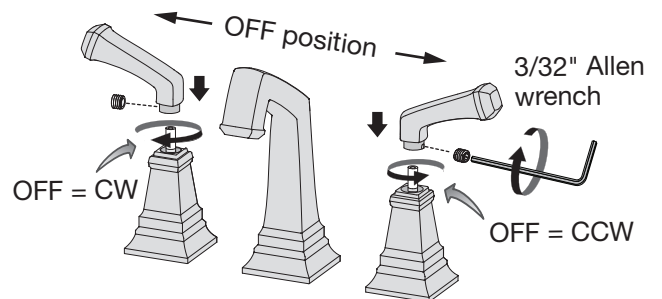


Use a 17mm deep socket or wrench.

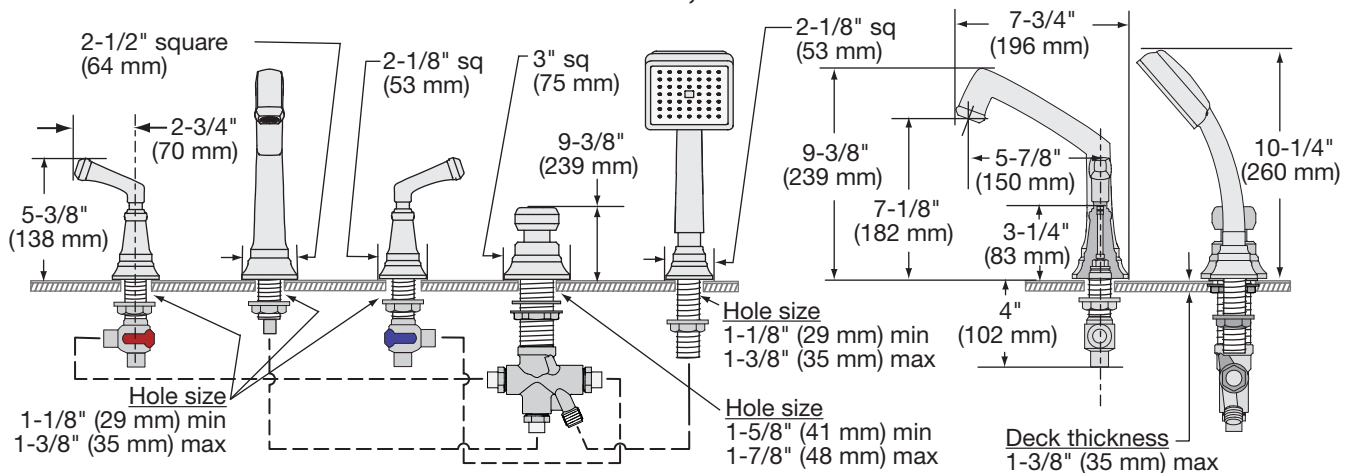


Replace appropriate hot and cold cartridge as referenced in Replacement Parts table.

Attaching handles

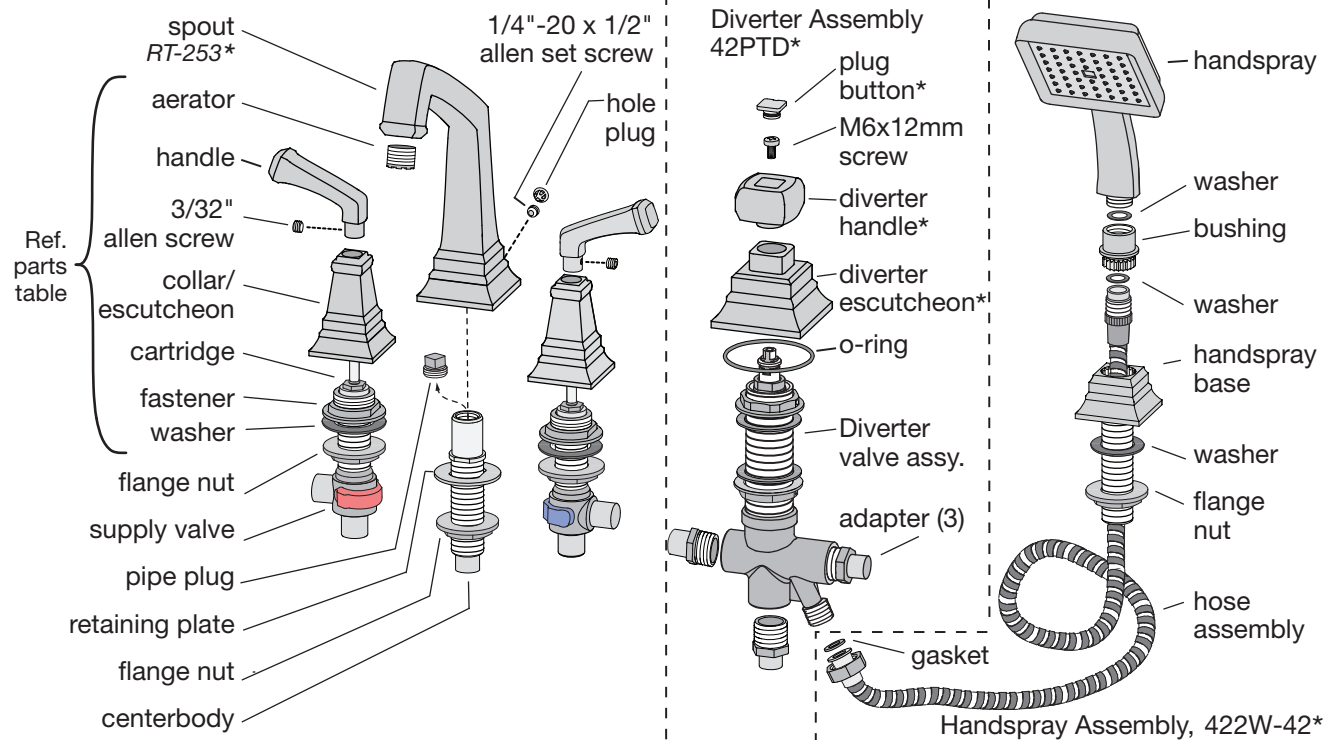


Dimensions Oxford Roman Tub Faucet, SRT-4272



Note: Dimensions subject to change without notice.

Parts Assembly Oxford Roman Tub Faucet, SRT-4272



Replacement Parts			
Part Number	Item	Part Number	Item
RT-155	diverter valve assy.	RT-262	aerator removal key
RT-422-KIT*	handle kit handle (2) screw (2) escutcheon (2) fastener (2) washer (2)	KN-114E (hot) OFF = CW KN-113E (cold) OFF = CCW	KN-113E identified by groove valve cartridge

Ordering replacement parts:

Call Symmons customer service
 (800) 796-6667 • (781) 848-2250
 M-F 7:30 am - 6:00 pm EST

Check our website for a
 list of Symmons distributors.
www.symmons.com.

* Note: For decorative finish
 faucets append the appropriate
 suffix code letters to items
 marked with an asterisk (*)

Symmons Industries, Inc. ■ 31 Brooks Drive ■ Braintree, MA 02184
 Phone: (800) 796-6667 ■ Fax: (800) 961-9621
 Website: symmons.com ■ Email: gethelp@symmons.com

Copyright © 2018 Symmons Industries, Inc. ■ ZV-588 REV B ■ 121018

SYMMONS[®]
 the smart choice[™]