



SYMMONS® Duro®

Widespread Lavatory Faucet SLW-3612 Series

Installation Brief



Model Number

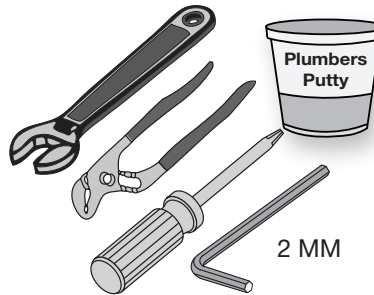
SLW-3612 Series Lavatory faucet with pop-up drain

Decorative Finish Code

Append to part numbers when applicable

- STN Satin Nickel
- Chrome (standard)

Tools & Materials

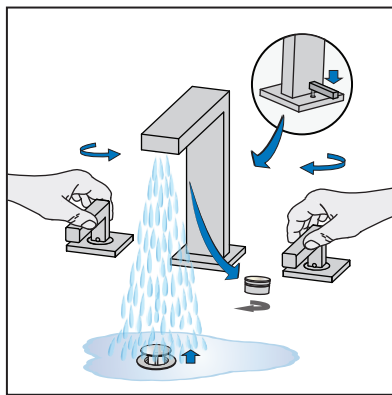


☎ Need Help?

Contact Symmons customer service at
 P: (800) 796-6667, F: (800) 961-9621
 Email: gethelp@symmons.com
 Monday - Friday 7:30 am - 6:00 pm EST

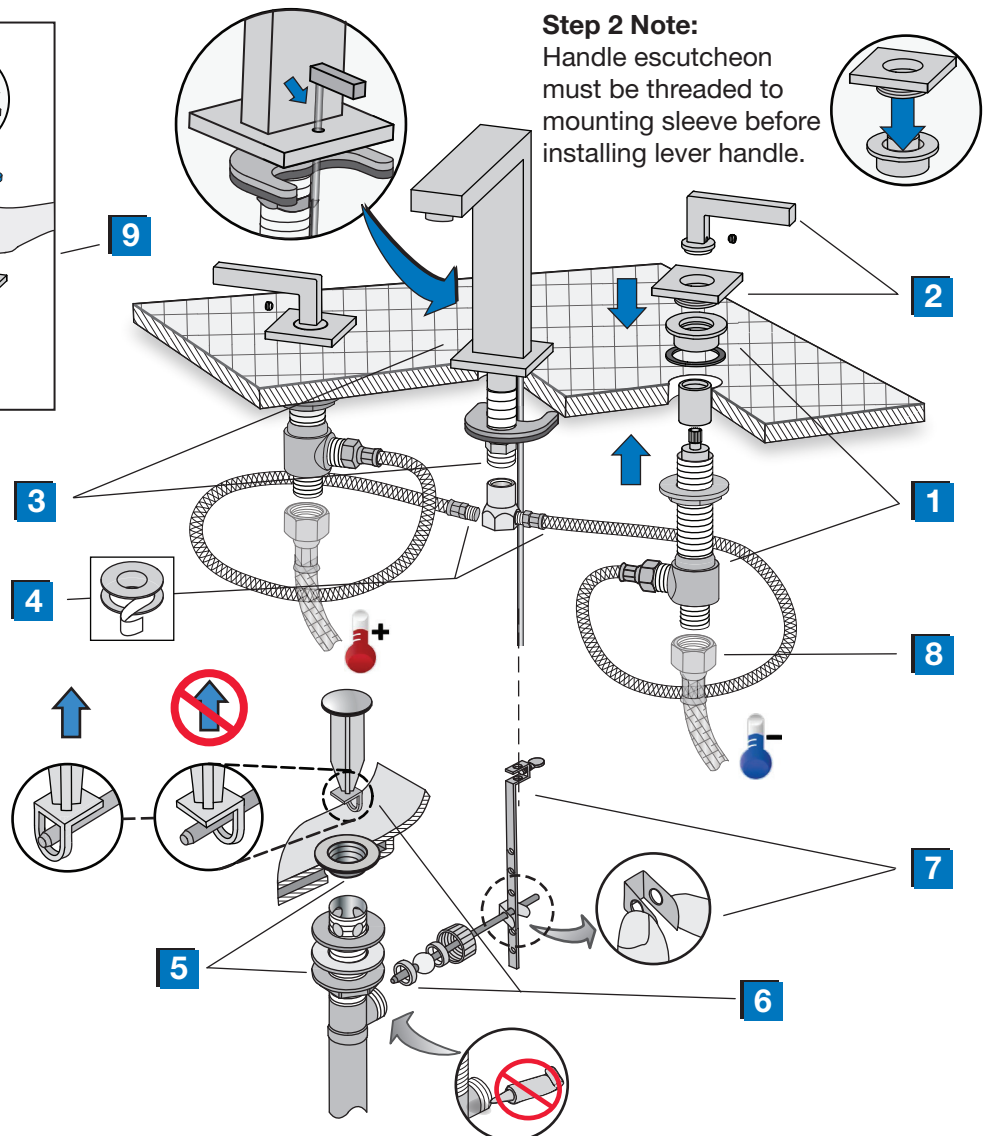
💻 Please check Symmons website for technical help, the latest product information and warranty policy.
www.symmons.com/service

Quick Install Guide Duro Widespread Lavatory Faucet, SLW-3612 Series

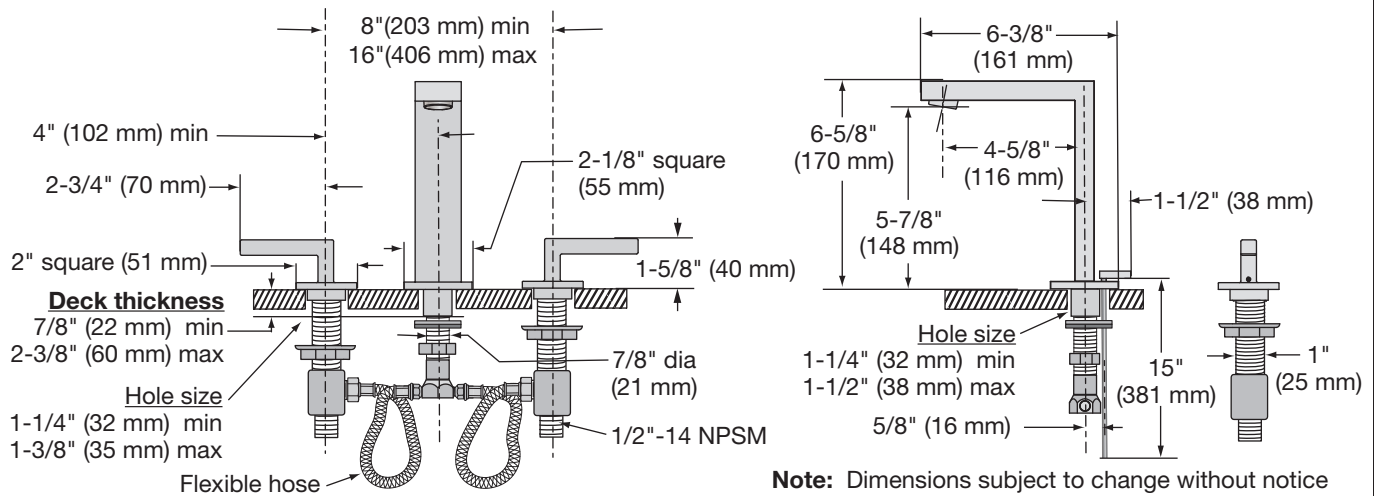


Installation Notes:

- 1) Apply plumber tape to threaded connections as shown in illustration.
- 2) DO NOT use plumber putty or plumber tape on fittings with face seal washers or o-ring seals.
- 3) DO NOT OVERTIGHTEN fittings with face seal washers or o-ring seals.

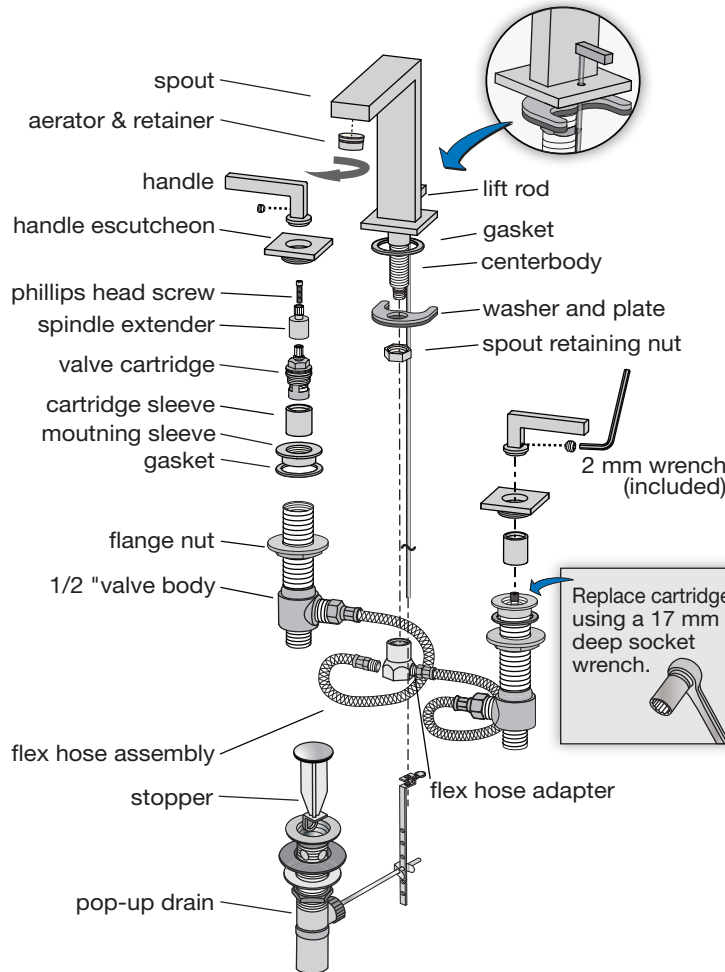


Dimensions Duro Widespread Lavatory Faucet, SLW-3612 Series



Parts Assembly Duro Widespread Lavatory Faucet, SLW-3612 Series

For faucets purchased after Nov. 2013



Replacement Parts

Part Number	Item
RL-149	Handle assembly handle (2) screw (2) escutcheon (2)
LN-15* FLR-110-1.5* FLR-110-1.0*	Aerator & retainer flow rates 2.2 gpm (8.3L /min) 1.5 gpm (5.7L /min) 1.0 gpm (3.8L /min) washer aerator retainer
KN-114 (hot) OFF = CW KN-113 (cold) OFF = CCW	Valve cartridge
RL-148	Mounting hardware kit retainer (2) gasket (2) flex hose (2)
RL-150*	Lift rod
RL-154LR*	Pop-up drain

Ordering replacement parts:

Call Symmons customer service at (800) 796-6667, M-F 7:30 am - 6:00 pm EST or check our website at www.symmons.com for a list of Symmons distributors.

* Note: When ordering replacement parts for faucets with an optional decorative finish, append appropriate three letter finish suffix code to part numbers marked with an asterisk (*).

For California Residents

WARNING: This product contains chemicals known to the State of California to cause cancer, birth defects, or other reproductive harm.

Symmons Industries, Inc. ■ 31 Brooks Drive ■ Braintree, MA 02184 ■ Phone: (800) 796-6667 ■ Fax: (800) 961-9621
Copyright © 2018 Symmons Industries, Inc. ■ symmons.com ■ gethelp@symmons.com ■ ZV-1058 REV E ■ 031918