




SYMMONS® DS Creations

the smart choice™

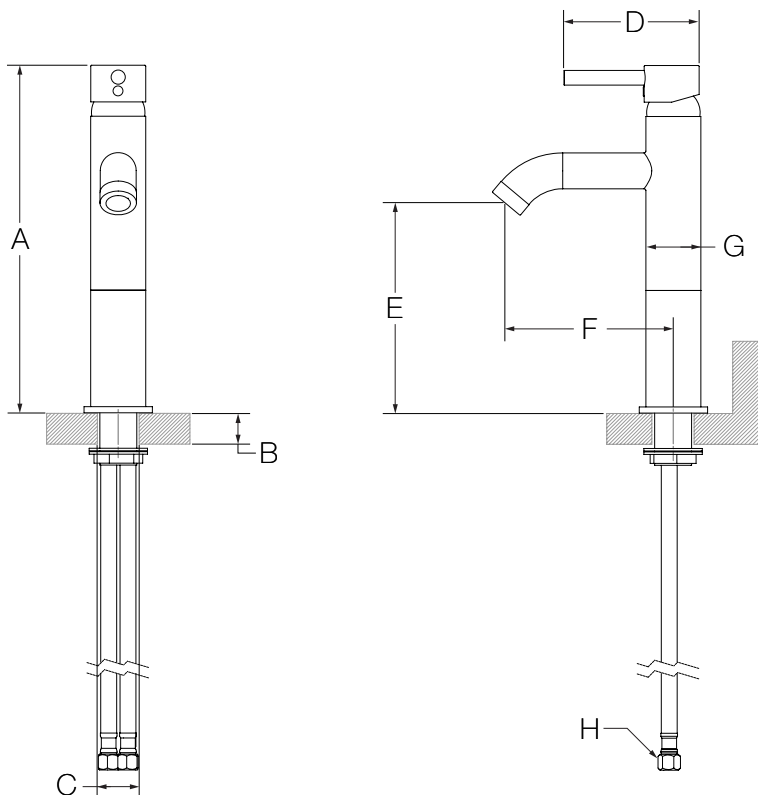


SLS-4310-EXT-1.5 (CDSLS-0103-4310-EXT-1.5) Single Handle Lavatory Faucet for Vessel Sinks Installation Guide

Model Numbers	Specification
<input type="checkbox"/> SLS-4310-EXT-1.5 <i>Single Handle Lavatory Faucet for Vessel Sinks</i>	Single handle lavatory faucet featuring a single hole mounting configuration shall include ceramic cartridge, 16" stainless steel braided hoses with 3/8" compression fittings and standard 1.5 gpm (5.7 L/min) aerator. Faucet shall be made from metal construction, plated in standard polished chrome finish.
Modifications	
<input type="checkbox"/> -1.0  1.0 gpm (3.8 L/min) flow restrictor Note: Append appropriate -suffix to model number.	
Warranty	
Limited Lifetime - to the original end purchaser in consumer/residential installations. 5 Years - for industrial/commercial installations. Refer to www.symmons.com/warranty for complete warranty information.	



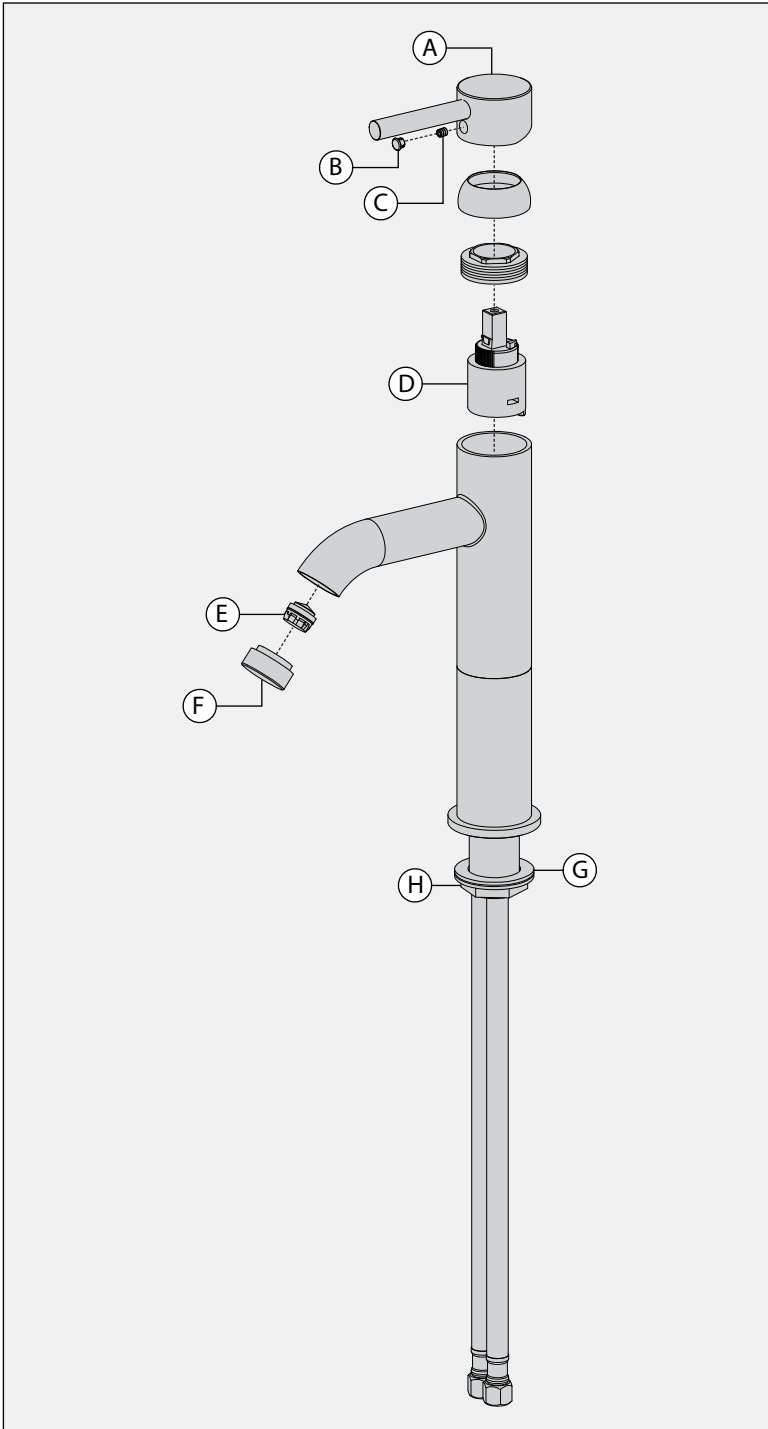
Dimensions







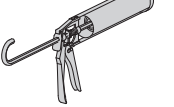
Measurements	
A	11-1/4", 286 mm
B	Deck Thickness Ref. Max. 1-1/4", 32 mm
C	Hole Size Min. Ø 1-1/4", 32 mm Max. Ø 1-3/4", 44 mm
D	4-3/8", 111 mm
E	6-3/4", 171 mm
F	5-1/2", 140 mm
G	Ø 1-3/4", 44 mm
H	3/8" compression fitting

Note: Dimensions subject to change without notice.

Parts Breakdown



Replacement Parts		
Item	Description	Part Number
A	Handle	
B	Plug Button	RL-026
C	Set Screw	
D	Cartridge	RL-027
E & F	1.5 Aerator 1.0 Aerator	RL-028-1.5 FLR-101-1.0
G	Rubber Washer	RL-029
H	Mounting Nut	

Tools Required for Installation	
Adjustable Wrench	
Allen Wrench: Handle (1.5 mm)	
Plumber Putty	
Plumber Tape	
Silicone	

Notes:

- 1) Apply a bead of silicone around the perimeter of trim installed flush to sink.
- 2) Apply plumber tape to all threaded connections.

⚠ WARNING: This product can expose you to chemicals including lead, which is known to the state of California to cause cancer, birth defects, or other reproductive harm. For more information, go to www.P65Warnings.ca.gov.