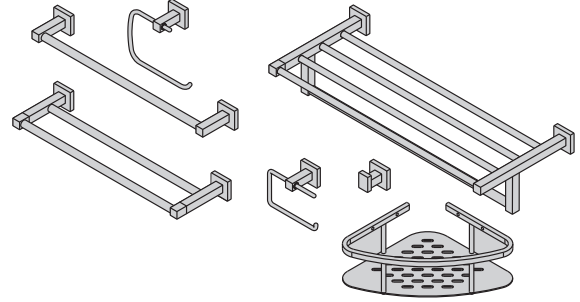




SYMMONS® Duro®
the smart choice™

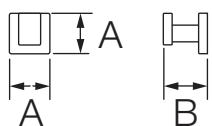
363DTB-18, 363DTB-24, 363RH, 363TB-18,
363TB-24, 363TP, 363TR, 363TS-22, 363-SD2
Accessory Suite
Operation & Maintenance Manual



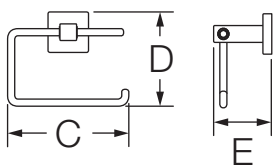
Model Numbers	Specification
<ul style="list-style-type: none"> <input type="checkbox"/> 363DTB-18 <i>18" Double Towel Bar</i> <input type="checkbox"/> 363DTB-24 <i>24" Double Towel Bar</i> <input type="checkbox"/> 363RH <i>Robe Hook</i> <input type="checkbox"/> 363TB-18 <i>18" Towel Bar</i> <input type="checkbox"/> 363TB-24 <i>24" Towel Bar</i> <input type="checkbox"/> 363TP <i>Toilet Paper Holder</i> <input type="checkbox"/> 363TR <i>Towel Ring</i> <input type="checkbox"/> 363TS-22 <i>Towel Shelf with Bar</i> <input type="checkbox"/> 363-SD2 <i>Soap Basket</i> 	<p>All premium accessories constructed from metal materials, plated in standard polished chrome finish.</p> <hr/> <p>Compliance</p> <p><u>For California Residents</u> WARNING: This product contains chemicals known to the State of California to cause cancer, birth defects, or other reproductive harm.</p>
Modifications	Warranty
<ul style="list-style-type: none"> <input type="checkbox"/> -STN <i>Satin Nickel finish</i> <p>Note: Append appropriate -suffix to model number.</p>	<p>Limited Lifetime - to the original end purchaser in consumer installations. 5 Years - for commercial installations. Refer to www.symmons.com/warranty for complete warranty information.</p>

Dimensions

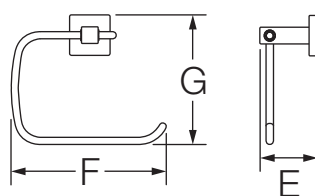
363RH



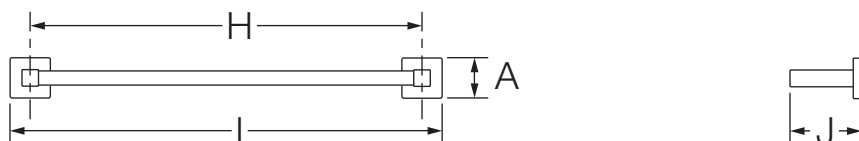
363TP



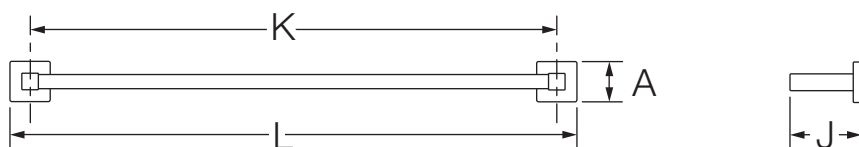
363TR



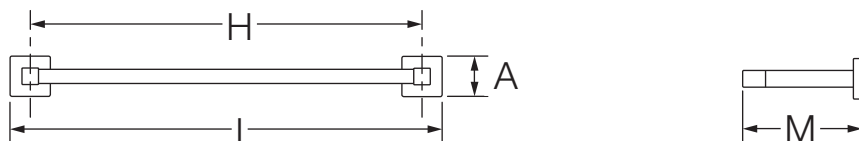
363TB-18



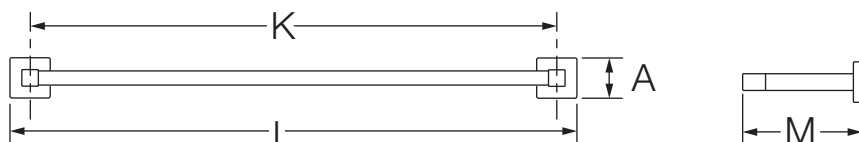
363TB-24



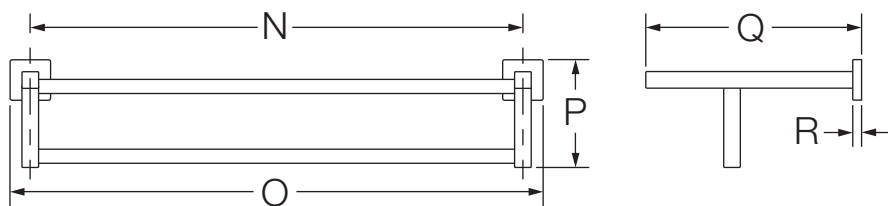
363DTB-18



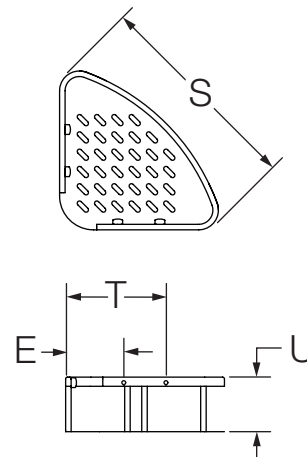
363DTB-24



363TS-22



363-SD2



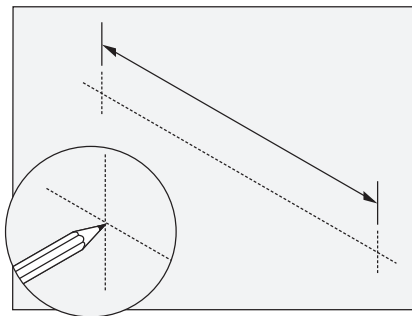
Measurements	
A	1-13/16", 46 mm
B	2", 51 mm
C	5-3/8", 137 mm
D	4-1/8", 105 mm
E	2-1/2", 64 mm
F	6-7/8", 175 mm
G	5-3/4", 146 mm
H	18", 457 mm
I	19-13/16", 503 mm
J	3-1/4", 82 mm
K	24", 610 mm
L	25-13/16", 656 mm
M	5-3/8", 136 mm
N	22", 559 mm
O	23-13/16", 605 mm
P	4-3/4", 121 mm
Q	9-5/8", 244 mm
R	3/8", 10 mm
S	9", 228 mm
T	4-1/4", 108 mm
U	2-3/8", 60 mm

Replacement Parts	
Description	Part Number
Mounting Hardware Kit	RA-017

Note: Dimensions subject to change without notice.

Installation

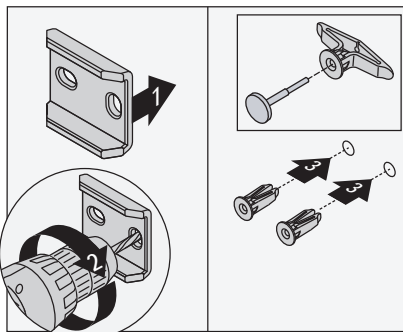
- 1) Measure and mark centerlines for mounting bracket installation using dimensions on page 2.



Note:

363DTB-18, 363DTB-24, 363TB-18, 363TB-24, 363TS-22 only. Make sure both centerline marks are level.

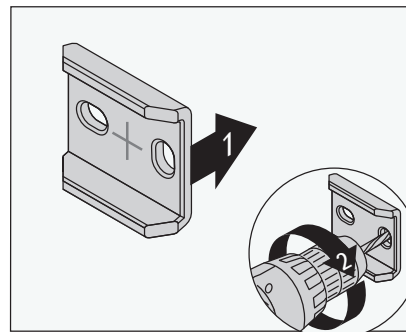
- 2a) **Dry Wall Option:** Place mounting brackets into desired position. Using brackets as a guide, carefully drill 5/16" holes into wall. Remove brackets and install anchors.



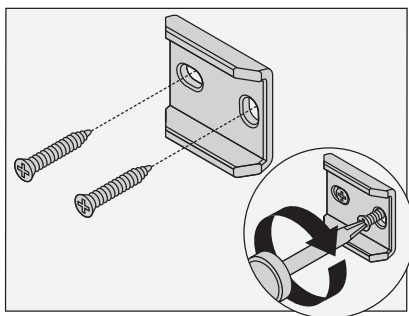
Note:

For plaster walls 1/2" thick or less, insert toggle tool into toggle to secure behind wall prior to installing accessory trim.

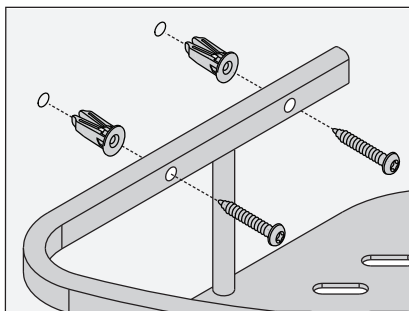
- 2b) **Stud Option:** Center bracket on centerline. Using brackets as a guide, carefully drill 3/16" holes into wall.



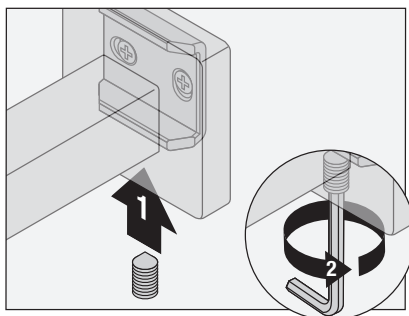
- 3) With mounting brackets in position, secure to wall using screws.



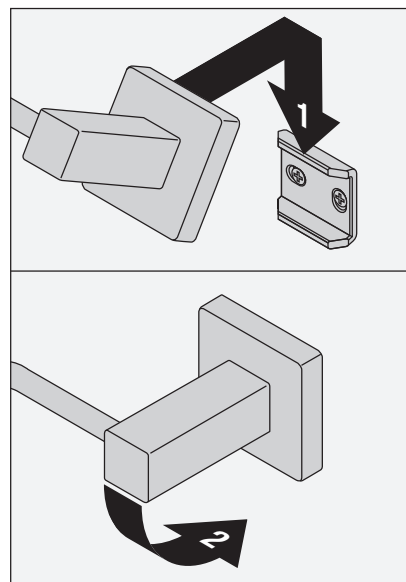
363-SD2 Only: Carefully drill 5/16" holes into wall and install anchors. Secure to wall using screws.



- 4) Secure with set screw.



- 5) Hang top of accessory on mounting bracket. Lower into position.



Troubleshooting Chart

Problem	Cause	Solution
Finish is spotting.	Elements in water supply may cause water staining on finish.	Clean finished trim area with a soft cloth using mild soap and water or a non-abrasive cleaner and then quickly rinse with water.