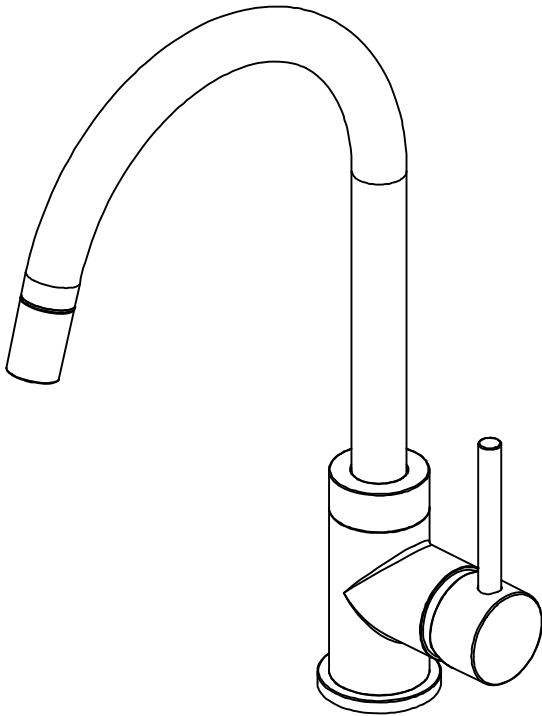




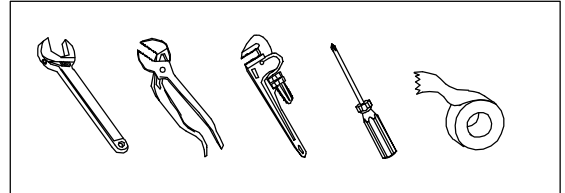
Instructions For Models:  
SPP-3510 & SPP-3510-STN



## What You Need To Have

### Tools

- Adjustable Wrench
- Pliers
- Pipe Wrench
- Phillips Head Screwdriver
- Teflon Tape



### Maintenance

Your new kitchen faucet is designed for years of trouble-free performance.

Keep it looking new by cleaning it periodically with a soft cloth. Avoid abrasive cleaners, steel wool and harsh chemicals as these will dull the finish and void your warranty.

### Safety Tips

- If you use soldering for the installation of your faucet, the seat cartridges and washers will have to be removed before using flame. Otherwise, warranty will be void on these parts.
- Protect your eyes with safety glasses when cutting or soldering water supply line.
- Cover your drain to avoid loosing parts.

### Important Points

Prior to beginning installation, turn off the cold and hot water lines and open the old faucet to release built-up pressure.

When installing your new faucet, turn the connector nuts hand tight, then use one wrench to anchor the fitting and a second wrench to tighten the nut one additional turn. Connections that are too tight will reduce the integrity of the system.

Wrap all threaded connections with Teflon tape available at your local hardware or plumbing supply store. Always wrap in a clockwise direction.

### HELP LINE

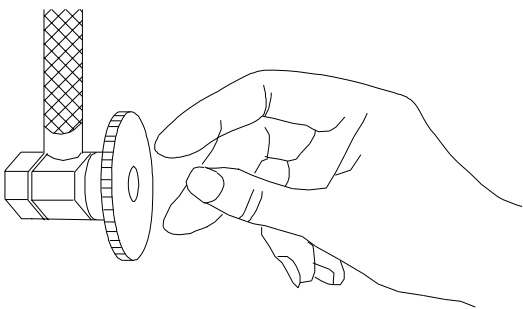
Need Help?

Symmons customer service:  
(800) 796-6667, (781) 848-2250  
customerservice@symmons.com  
Mon - Fri 7:30 am - 7:00 pm EST  
Website:www.symmons.com

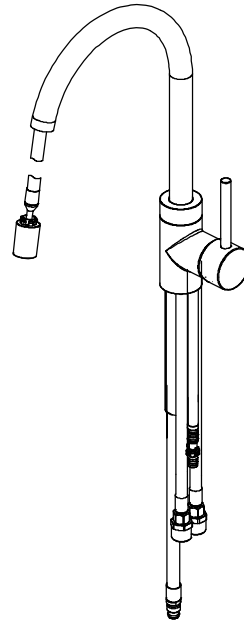
## Things You May Need

All installations can vary depending on how your previous faucet was installed. Necessary supplies to install your faucet are not all included: however they are available wherever plumbing supplies are sold. When choosing your installation supplies, make sure they are IAPMO and / or CSA approved products.

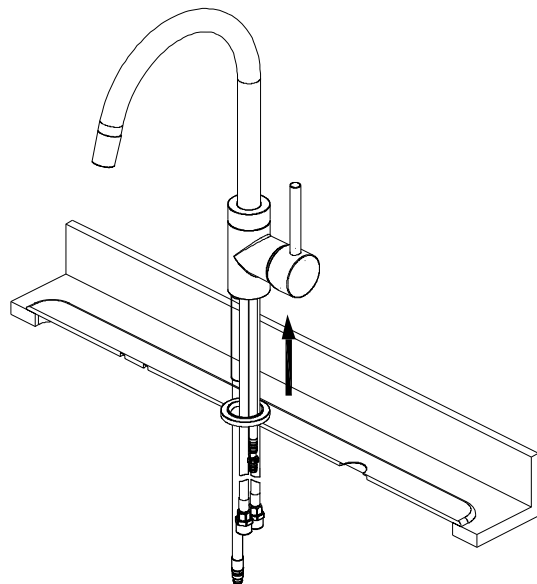
- 1** Shut off water supply. Remove old faucet. Clean sink surface in preparation for new faucet.



- 2** Attach Spout to Valve  
Feed hose assembly through spout and hub. Attach sprayer to end of hose to keep hose in place. Rotate spout assembly to ensure smooth operation.

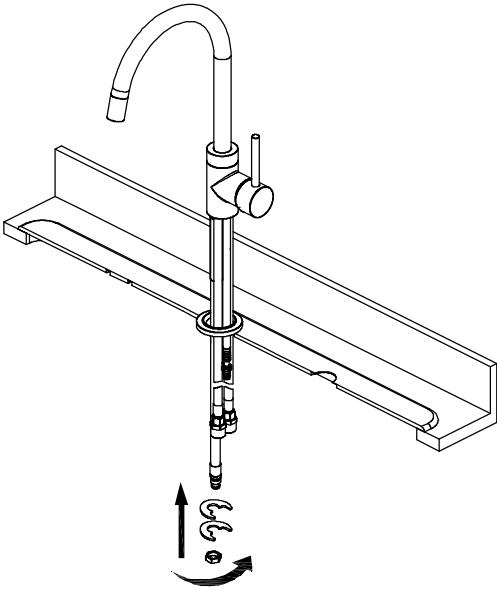


- 3** Mount Faucet to Deck  
Place flange on bottom of hub. Insert faucet through mounting holes in sink. Your faucet is designed for a hole diameter of  $1\frac{3}{8}'' \pm \frac{1}{4}''$  (35mm  $\pm$  6mm) and a deck thickness of up to  $2\frac{1}{2}''$  (64mm).



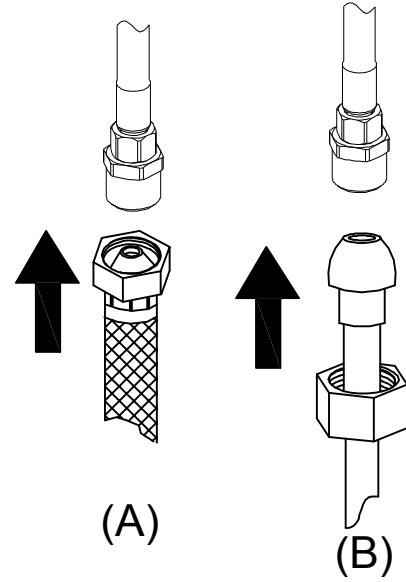
4

Install rubber washer, metal washer and nut onto the mounting shank.



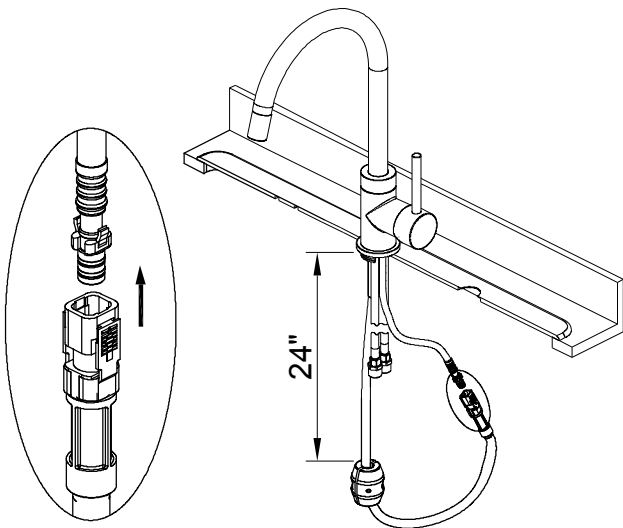
6

Connect to water supplies (HOOK-UPS NOT PROVIDED)  
Note: Refer to local plumbing codes for permissible types of water supply connectors.



5

**Hose Installation**  
Align block (1) onto hose. Install quick connect onto spray hose. Push quick connect firmly onto outlet hose tab. Install weights onto spray hose. Locate the weights 24" from the underside of the sink deck.



7

**Faucet Operation and Inspection**  
Turn on hot and cold water supplies. Pull the hose assembly out of the spout and remove aerator(1) with wrench(2). Be sure to hold the end of the hose down into the sink and turn faucet handle to the mixed position. Flush water lines for one minute. Check for leaks. Re-tighten if necessary, but do not overtighten. Reinstall the spray head tight.

